

Mat. – Nr. – Konstante
3740

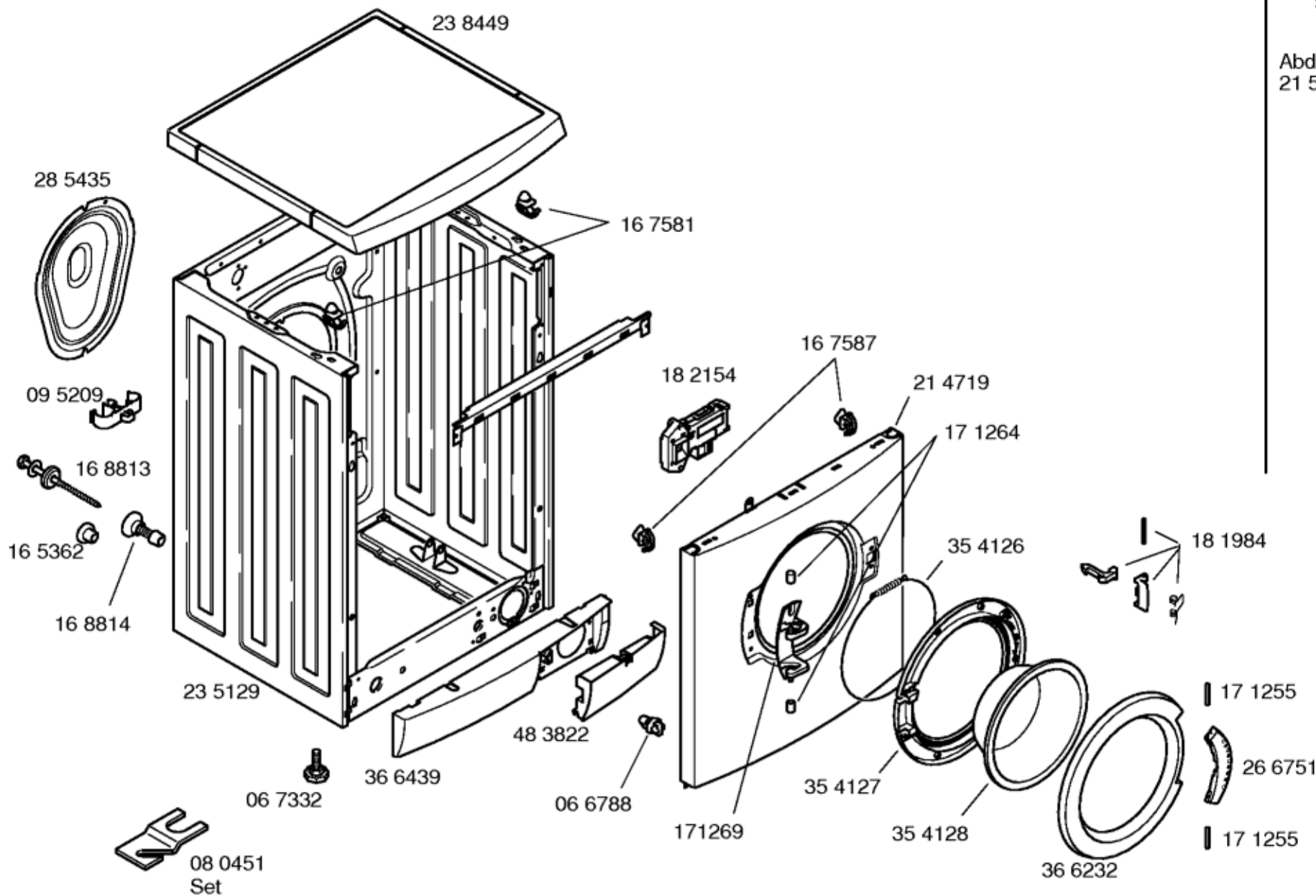
Gebrauchsanweisung
58 4914
es
58 4915
pt

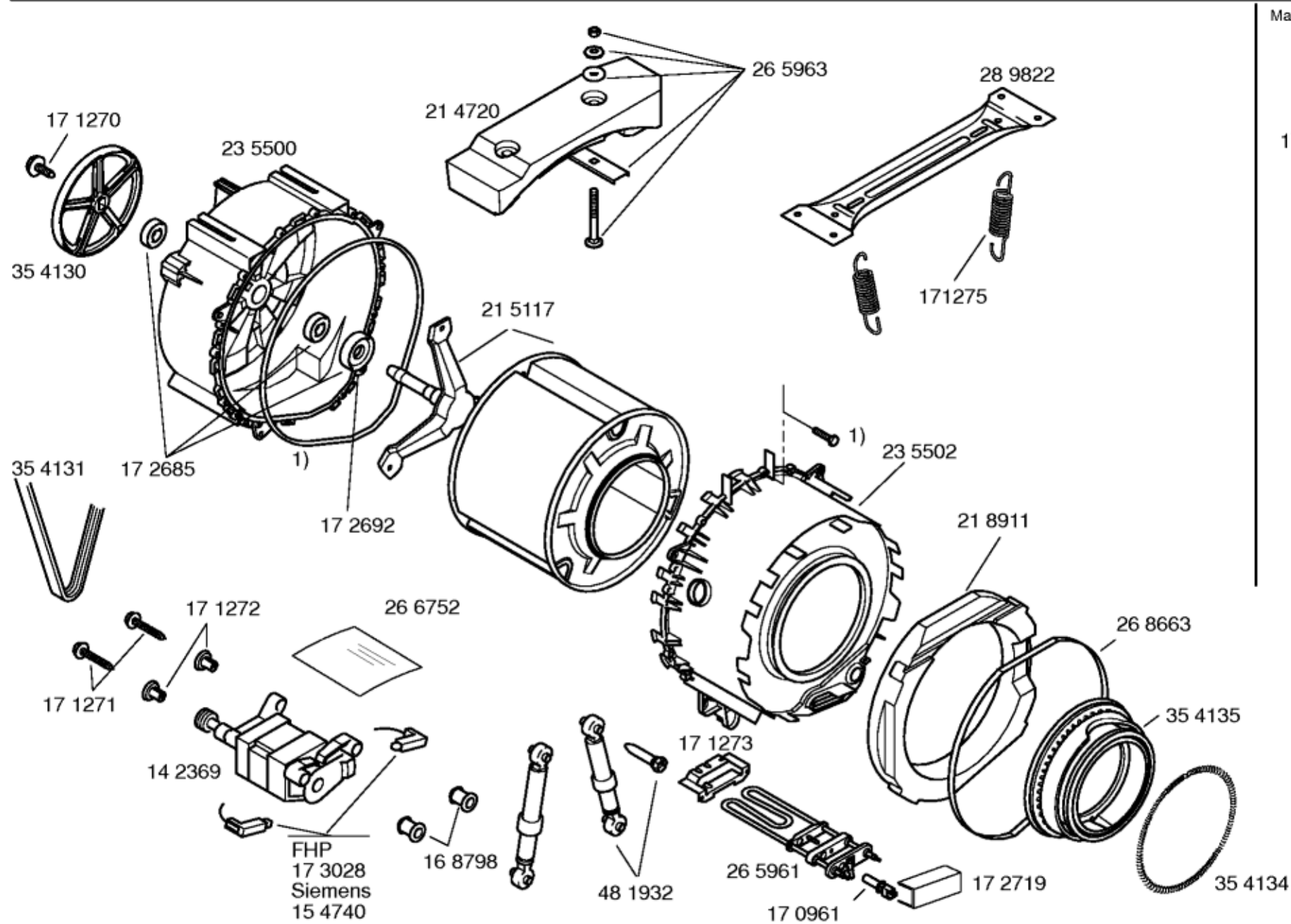
Programmtabelle
41 8866
es
41 8867
pt

1) 43 2444

Mat.-Nr. – Konstante
3740

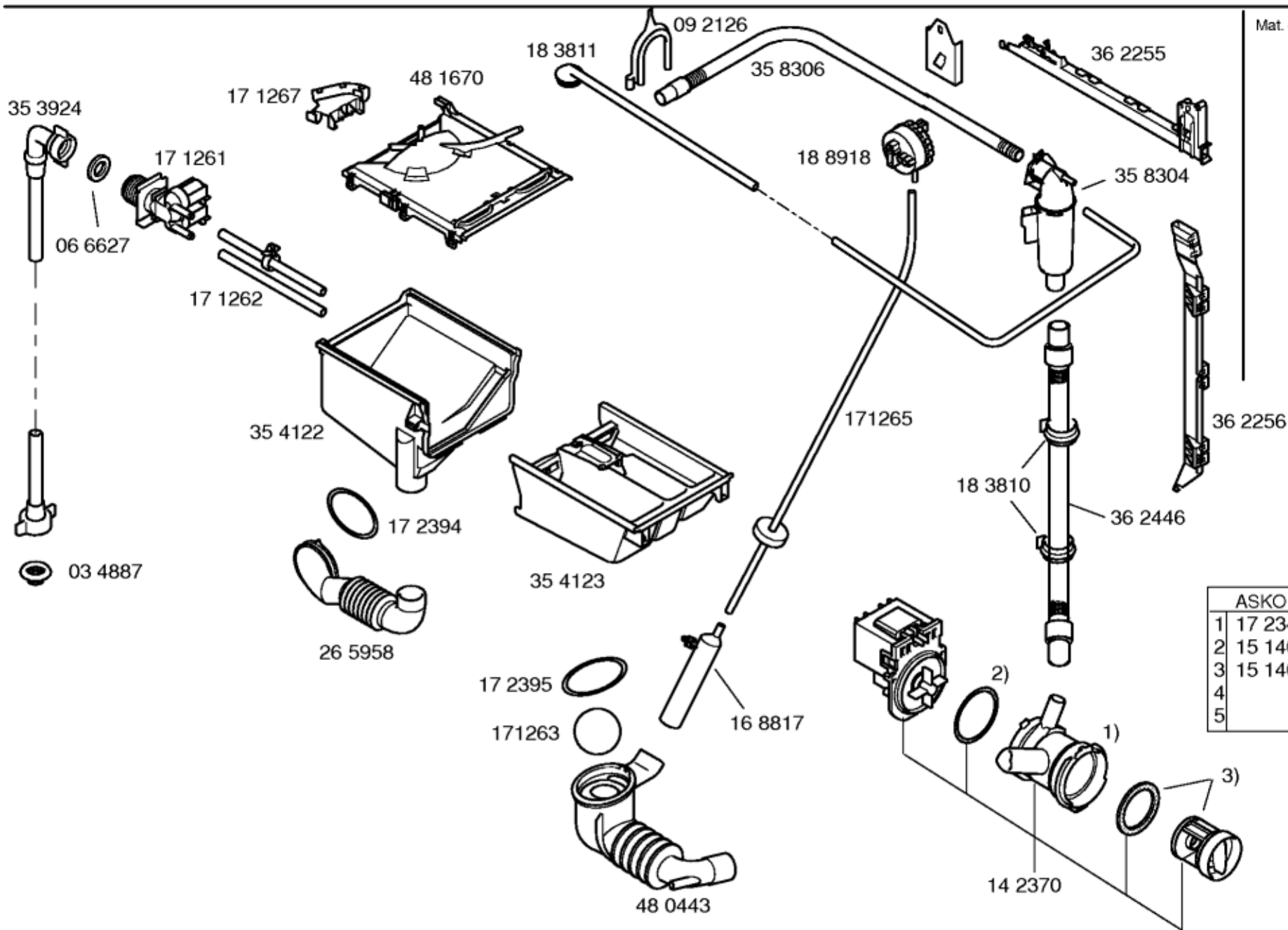
Abdeckplatte – VDE
21 5174





Mat. – Nr. – Konstante
3740

1) 26 5964



Mat. – Nr. – Konstante
3740

	ASKOLL	COPRECI
1	17 2340	17 2337
2	15 1408	15 4358
3	15 1409	17 2339
4		
5		

Position ID	Spare part no.	Replacement	Description
0102	00266722	00481580	Power cord
0104	00171254	00623842	Capacitor-interference suppre.
0106	00172694		Cable harness
0106	00172695	00423701	Cable harness
0106	00172696	00423704	Cable harness
0106	00183210	00423702	Cable harness
0112	00172697		Coupling
0114	00172699		Knob-programme
0119	00266748	00267678	Tray handle-dispenser
0200	00168813		Transit bolt
0202	00168814	00600388	Distance holder
0204	00165362		Cover
0206	00095209		Holder
0208	00285435		Case-rear part
0210	00235129		Housing
0212	00067332	00621463	Foot
0214	00238449		Desk top
0216	00167581		Holder
0220	00366439	00796389	Panel-base
0222	00483822	00796389	Panel-base
0224	00182154		Electric lock
0226	00167587	00067083	Holder
0228	00066788		Holder
0230	00214719	00235567	Front panel
0232	00171264		Bushing
0234	00171269		Hinge-window
0236	00354126	00439671	fastening ring

0238	00354127	00715042	Ring
0240	00354128	11020392	Window
0242	00366232		Frame-window
0244	00266751		Handle
0246	00171255		Axis
0247	00181984	00634207	Latch
0300	00289822		Support
0302	00171275	00606818	Spring-tank
0304	00265963		Fixing kit
0306	00214720		Weight
0308	00171270		Screw
0310	00354130	11002942	Pulley
0312	00354131	00678914	Belt-drive
0314	00235499	00714215	Tub at rear
0315	00172686		Bearing set
0316	00265964		Sealing
0317	00172692	00613083	Shaft seal
0322	00215117		Drum
0324	00235501	00715100	Tub
0326	00218780	00773470	Weight
0328	00268663		Clamp
0330	00354135		Boot gasket
0332	00354134		fastening ring
0334	00171273		Holder
0336	00265961		Heating element
0338	00170961		Sensor-NTC
0340	00481932	00448032	Shock absorber
0342	00171271		Screw
0344	00171272		Fixture

0346	00168798		Holder
0348	00142369	00145563	Motor
0350	00173028		Carbon-brush
0350	00154740		Carbon-brush
0351	00266752		Cover
0352	00172719		Cover
0400	00353924	00700836	Hose-inlet
0402	00066627		Sealing
0404	00034887	00027780	Filter-water inlet
0406	00171261	00428210	Valve-magnet
0407	00171267		Holder
0408	00171262		Hose-valve/soap box
0412	00481670		Dispenser tray-upper part
0414	00354122		Dispenser tray-lower part
0416	00354123		Dispenser tray
0418	00265958		Hose-fill
0420	00480443		Eco-hose-sump
0422	00171263		Ball-sump
0424	00168817	00424981	Pressure chamber
0428	00171265	00491919	Hose-pressure chamber
0430	00172693	00600925	Regulator-water level
0431	00362256		Duct
0433	00362255		Duct
0434	00183810		Holder
0435	00183811		Tube
0436	00358304		Container return
0437	00362446		Outlet hose
0438	00358306		Outlet hose
0440	00142370	00145787	Pump-drain

0442	00154358		Sealing
0442	00151408		Sealing
0444	00172337		Pump-housing
0444	00172340	00145787	Pump-drain
0446	00172338		Sealing
0448	00172339		Filter-fluff
0448	00151409		Filter-fluff
0450	00092126		Holder
0451	00172395	00603523	fastening ring
0452	00172394	00421488	fastening ring