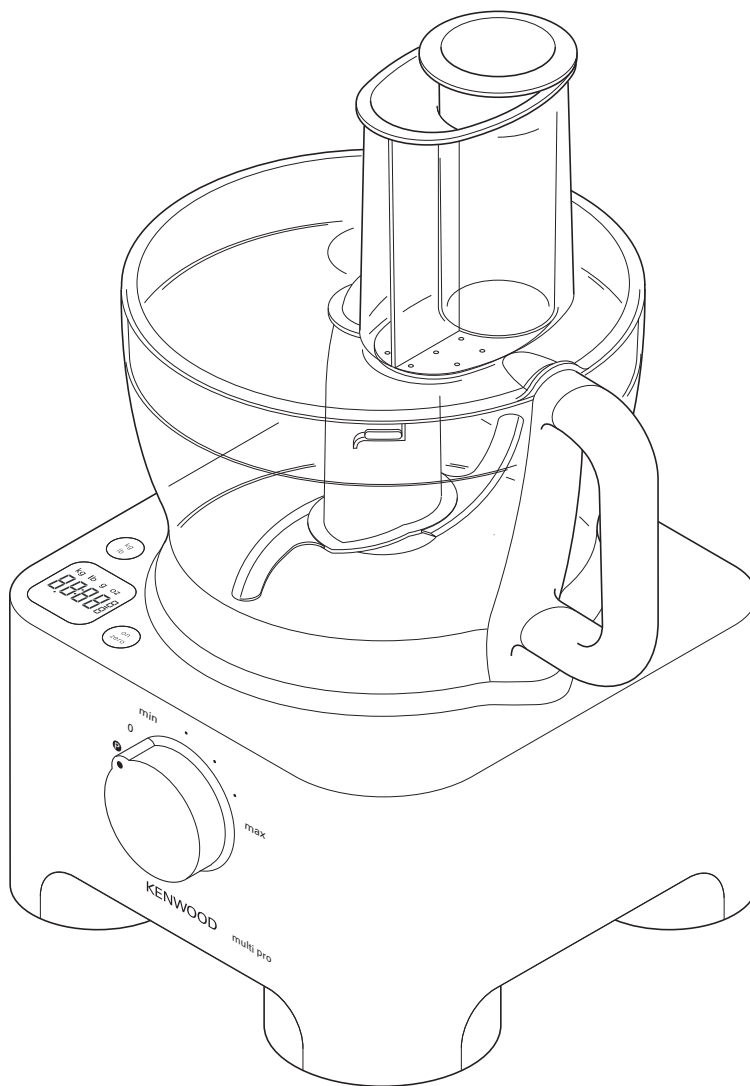


# KENWOOD

multi pro  
LIBRA 



FP950 series

**English** 2 - 9

**Português** 10 - 17

**Español** 18 - 25

**Türkçe** 26 - 33

**Česky** 34 - 41

**Magyar** 42 - 49

**Polski** 50 - 57

**Русский** 58 - 66

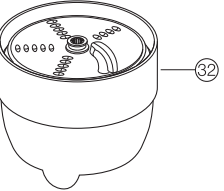
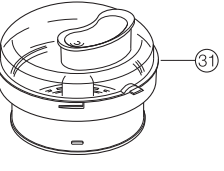
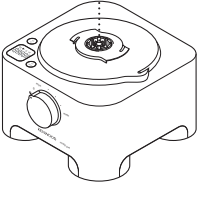
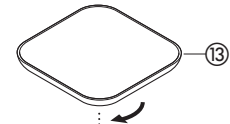
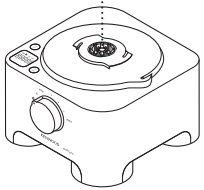
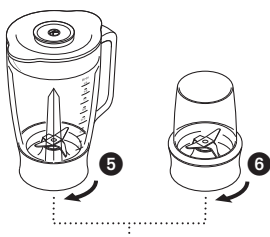
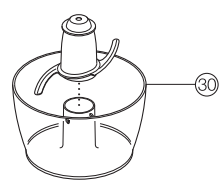
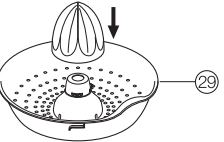
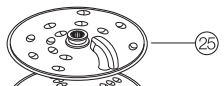
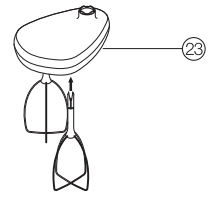
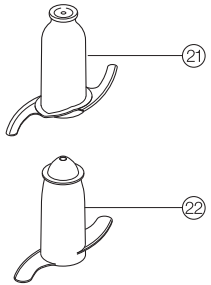
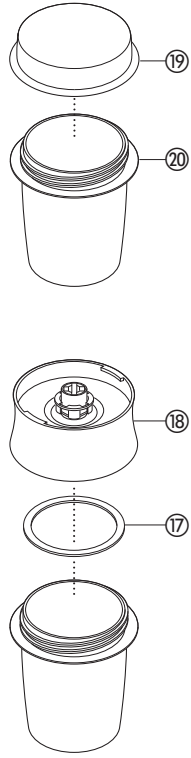
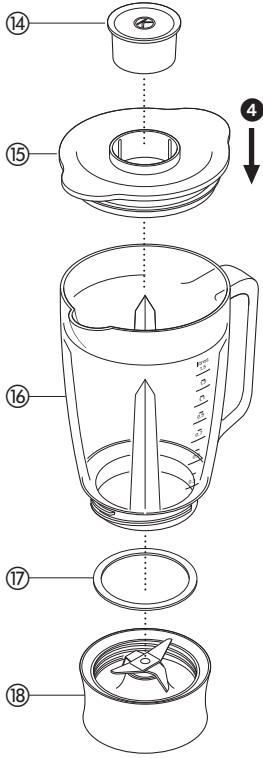
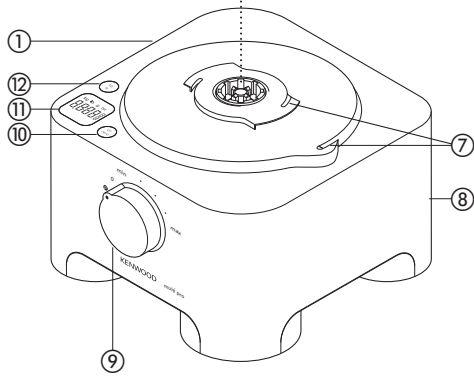
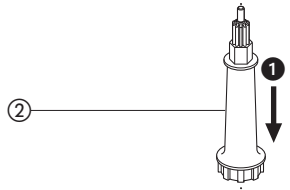
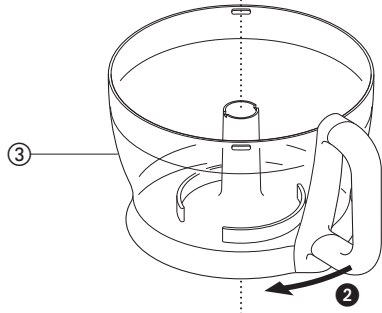
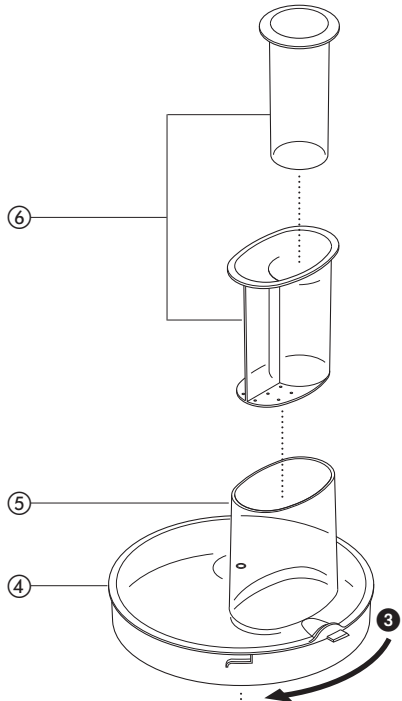
**Ελληνικά** 67 - 75

**Slovenčina** 76 - 83

**Українська** 84 - 92

**عربي** ١٠٨ - ١٠١

**فارسی** ١٠٠ - ٩٣

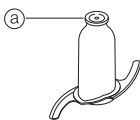


### before using your Kenwood appliance

- Read these instructions carefully and retain for future reference.
- Remove all packaging and any labels.

## safety

- The blades and discs are very sharp, handle with care. **Always hold the knife blade by the finger grip (a) at the top, away from the cutting edge, both when handling and cleaning.**
- Do not lift or carry the processor by the handle - or the handle may break resulting in injury.
- Always remove the knife blade before pouring contents from the bowl.
- Keep hands and utensils out of the processor bowl and liquidiser jug whilst connected to the power supply.
- Switch off and unplug:
  - before fitting or removing parts
  - after use
  - before cleaning
- Never use your fingers to push food down the feed tube. Always use the pusher/s supplied.
- Before removing the lid from the bowl or liquidiser or mini chopper/mill from the power unit:-
  - switch off;
  - wait until the attachment/blades have completely stopped;
  - be careful not to unscrew the liquidiser jug or mini chopper/mill from the blade unit.
- **SCALD RISK:** Hot ingredients should be allowed to cool to room temperature before blending.
- Do not use the lid to operate the processor, always use the on/off speed control.
- **This machine will be damaged and may cause injury if the interlock mechanism is subjected to excessive force.**
- Never use an unauthorised attachment.
- Never leave the machine on unattended.
- Never use a damaged machine. Get it checked or repaired: see 'service'.
- Never let the power unit, cord or plug get wet.
- Don't let excess cord hang over the edge of a table or worktop or touch hot surfaces.
- Never misuse your food processor and only use it for its intended domestic use.
- Do not exceed the maximum capacities stated.
- This appliance is not intended for use by persons (including children) with reduced physical, sensory or mental capabilities, or lack of experience and knowledge, unless they have been given supervision or instruction concerning use of the appliance by a person responsible for their safety.
- Children should be supervised to ensure that they do not play with the appliance.
- Only use the appliance for its intended domestic use. Kenwood will not accept any liability if the appliance is subject to improper use, or failure to comply with these instructions.
- Misuse of your processor/liquidiser can result in injury.



### before plugging in

- Make sure your electricity supply is the same as the one shown on the underside of your machine.
- This appliance conforms to EC directive 2004/108/EC on Electromagnetic Compatibility and EC regulation no. 1935/2004 of 27/10/2004 on materials intended for contact with food.

### before using for the first time

- 1 Remove all packaging including the plastic blade covers from the knife blade. **Take care the blades are very sharp.** These covers should be discarded as they are to protect the blade during manufacture and transit only.
- 2 Wash the parts see 'cleaning'
- 3 Push excess cord into the back of the machine.

## key

### processor

- ① power unit
- ② detachable drive shaft
- ③ bowl
- ④ lid
- ⑤ feed tube
- ⑥ pushers
- ⑦ safety interlocks
- ⑧ cord storage
- ⑨ speed control with power on light

### weighing function

- ⑩ on/zero button
- ⑪ display screen
- ⑫ kg/lb button
- ⑬ weighing plate

### liquidiser

- ⑭ filler cap
- ⑮ lid
- ⑯ jug
- ⑰ sealing ring
- ⑱ blade unit

### mini chopper/mill (if supplied)

- ⑲ mill lid
- ⑳ jar

### attachments

**Not all of the attachments listed below may be included with your food processor. Attachments are dependent upon the model variant.**

- ㉑ knife blade
- ㉒ dough tool
- ㉓ twin beater geared metal whisk
- ㉔ maxi-blend canopy
- ㉕ thick slicing/coarse shredding disc
- ㉖ thin slicing/fine shredding disc
- ㉗ fine (Julienne style) chipper disc (if supplied)
- ㉘ rasping disc (if supplied)
- ㉙ geared citrus press (if supplied)
- ㉚ mini processor bowl (if supplied)
- ㉛ centrifugal juicer (if supplied)
- ㉜ KENSTORE™ attachments carousel

## to use your food processor

- 1 Fit the detachable shaft onto the power unit **1**.
- 2 **Then** fit the bowl. Place the handle towards the back and turn clockwise until it locks **2**.
- 3 Fit an attachment over the drive shaft.
  - Always fit the bowl and attachment onto the machine before adding ingredients.
- 4 Fit the lid **3** - ensuring the top of the drive shaft locates into the centre of the lid.
  - **Do not use the lid to operate the processor, always use the on/off control.**
- 5 Plug in and the power on light will come on. Switch on and select a speed.
  - **The processor won't work if the bowl and lid are fitted incorrectly.**
  - Use the pulse (P) for short bursts. The pulse will operate for as long as the control is held in position.
- 6 Reverse the above procedure to remove the lid, attachments and bowl.
  - **Always switch off before removing the lid. important**
  - Your processor is not suitable for crushing or grinding coffee beans, or converting granulated sugar to caster sugar.
  - When adding almond essence or flavouring to mixtures avoid contact with the plastic as this may result in permanent marking.

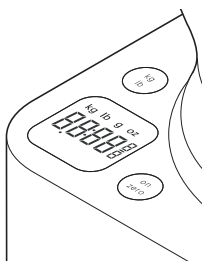
## choosing a speed for all functions

| Tool/Attachment                    | Function   | Speed                                | Maximum Capacities  |
|------------------------------------|--|--------------------------------------|---|
| Knife Blade                        | One Stage Cake Mix<br>Pastry - rubbing fat into flour<br>Adding water to combine pastry ingredients<br>Chopping/pureeing/pates | Min – Max<br>5 – Max<br>1 – 5<br>Max | 1.5Kg/3lb 5oz Total Wt<br>340g/12oz Flour Wt<br>600g/1lb 6oz Meat |
| Knife Blade with maxi-blend canopy | Soups – start at a low speed and move up to Max  | Min –Max                             | 1.5 litres/2pts 12oz  |
| Whisk                              | Egg Whites<br>Egg & sugar for fatless sponges<br>Cream   | Max<br>Max<br>5 – Max                | 6 Egg Whites<br>500 mls   |
| Dough tool                         | Yeasted mixes  | Max                                  | 600g/1lb 6oz  |
| Discs – slicing/shredding/chipping | Firm food items such as carrots, hard cheese.<br>Softer items such as cucumbers, tomatoes                                      | 5 – Max<br>Min – 5                   |   |
| Rasping disc                       | Parmesan cheese, Potatoes for German potato dumplings.   | Max                                  |   |
| Citrus Press                       | Citrus fruits  | 1                                    |   |
| Mini Bowl & knife                  | All processing   | Max                                  | 200g/8oz  |
| Liquidiser                         | All processing   | Max                                  | 1.5 litres/2pts 12fl.oz   |
| Mini chopper/Mill                  | All processing   | Max                                  |   |
| Centrifugal juicer                 | Fruit & Vegetables   | Max                                  | 500g/1lb 2oz  |

## weighing function

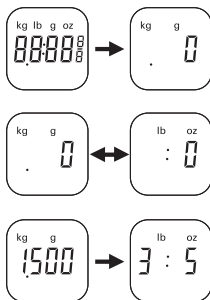
Your food processor is fitted with a built in weighing function to allow ingredients to be weighed straight into the bowl or liquidiser jug.

- The Maximum weighing capacity is 3Kg. This is the total weight of all the ingredients plus the weight of the bowl or jug.



## to use the weighing function

- 1 Always fit the drive shaft, bowl and attachment or liquidiser jug onto the power unit before adding ingredients.
- 2 Plug in – the display screen will remain blank.
- 3 Press the ON/ZERO button once and the display screen will light up.
- 4 Press the (kg/lb) button to select either grams or ounces. The display will default to kg/g when first switched on.
  - The unit weighs in 2g increments and teaspoon/tablespoon measures are recommended for weighing small quantities.
- 5 Check the display shows '0', if not, zero by pressing the ON/ZERO button. Then weigh the required ingredients straight into the bowl or jug. After the weight is displayed, press the ON/ZERO button and the display will return to '0'. Add the next ingredients and that weight will be displayed. Repeat until all ingredients are weighed.
  - If the display is not zeroed and either the ingredients or the bowl/attachment/lid are removed the display will show [ - - - ] to represent a minus reading. **To zero press the ON/ZERO button once.**
6. Add the lid and select a speed to operate the processor.
  - During operation the display screen with freeze [ - - - ] until the speed control returned to the off position.
  - After processing the last weight will be displayed on the screen when the speed control is returned to the off position. Note: The weight of the lid will be included if the display is not zeroed before switching on.
  - The weight of any additional ingredients added down the feed tube whilst the processor is running will not be shown on the display screen.



## 13 weighing plate

A removable weighing plate is supplied for weighing ingredients without using the bowl or liquidiser. To use, place the plate on top of the power unit and turn clockwise to lock. Then follow steps 2 to 5 under 'to use the weighing function'

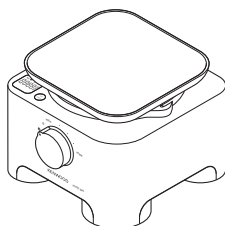
To remove, turn the plate anti-clockwise and lift off.

### auto switch off

- The display screen will turn off automatically if the same weight reading is shown after 5 minutes.
- The display screen can be turned off manually by pressing and holding down the ON/ZERO button for a few seconds.

### important

- Do not overload by exceeding the maximum weighing capacity of 3Kg.



- Do not subject the power unit to excessive force as this may damage the weighing sensor.
- Always place the processor on a dry flat surface prior to weighing.
- Do not move the power unit during operation of the weighing function.

## to use your liquidiser

- 1 Fit the sealing ring 17 into the blade unit 18 - ensuring the seal is located correctly. **Leaking will occur if the seal is damaged or not fitted correctly.**
- 2 Screw the jug onto the blade unit.
- 3 Put your ingredients into the jug.
- 4 Fit the lid to the goblet and push down to secure 4. Fit the filler cap.
- 5 Place the liquidiser onto the power unit and turn to lock 5.
- 6 Select a speed or use the pulse control.

### important

- **SCALD RISK:** Hot ingredients should be allowed to cool to room temperature before blending.
- To ensure the long life of your liquidiser, never run it for longer than 60 seconds. Switch off as soon as you've got the right consistency.
- Don't process spices - they may damage the plastic.
- The machine won't work if the liquidiser is fitted incorrectly.
- Don't put dry ingredients into the liquidiser before switching on. If necessary, cut them into pieces; remove the filler cap; then with the machine running, drop them through one by one.
- Don't use the liquidiser as a storage container. Keep it empty before and after use.
- Never blend more than 1½ litres (2pts 12flox) - less for frothy liquids like milkshakes.

### hints

- When making mayonnaise, put all the ingredients, except the oil, into the liquidiser. Remove the filler cap. Then, with the appliance running, add the oil slowly through the hole in the lid.
- Thick mixtures, eg pates and dips, may need scraping down. If it's difficult to process, add more liquid.
- When crushing ice use the pulse in short bursts.

## to use your mini chopper/mill (if supplied)

Use the mini chopper/mill for milling herbs, nuts and coffee beans.

- 1 Put your ingredients into the jar. Fill it no more than half full.
- 2 Fit the sealing ring (17) into the blade unit (18).
- 3 Turn the blade unit upside down. Lower it into the jar, blades down.
- 4 Screw the blade unit onto the jar until it is finger tight.
- 5 Place the mini chopper/mill onto the power unit and turn to lock (6).
- 6 Switch on to maximum speed or use the pulse control.

### safety

- Never fit the blade unit to your machine without the jar fitted.
- Never unscrew the jar while the mini chopper/mill is fitted to your machine.
- Don't touch the sharp blades. Keep the blade unit away from children.
- Never remove the mini chopper/mill until the blades have completely stopped.

### important

- To ensure long life of your mini chopper/mill, never run for longer than 30 seconds. Switch off as soon as you've got the right consistency.
- Don't process spices - they may damage the plastic.
- The machine won't work if the mini chopper/mill is fitted incorrectly.
- Use for dry ingredients only.

### hints

- Herbs are best milled when clean and dry.

## using the attachments

### (21) knife blade/(22) dough tool

The knife blade is the most versatile of all the attachments. The length of the processing time will determine the texture achieved. For coarser textures use the pulse control.

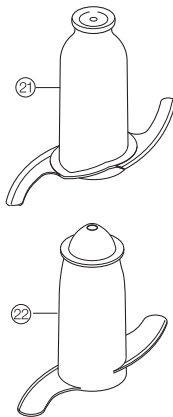
Use the knife blade for cake and pastry making, chopping raw and cooked meat, vegetables, nuts, pate, dips, pureeing soups and to also make crumbs from biscuits and bread. It can also be used for yeasted dough mixes if the dough tool is not supplied.

Use the dough tool for yeasted mixes.

### hints

#### knife blade

- Cut food such as meat, bread, vegetables into cubes approximately 2cm/3/4in before processing.
- Biscuits should be broken into pieces and added down the feed tube whilst the machine is running.
- When making pastry use fat straight from the fridge cut into 2cm/3/4in.cubes.
- Take care not to over-process.



### dough tool

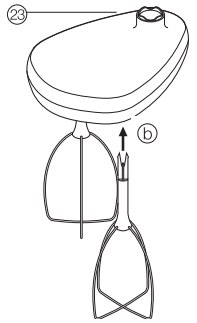
- Place the dry ingredients in the bowl and add the liquid down the feed tube whilst the machine is running. Process until a smooth elastic ball of dough is formed this will take 60 - 90 secs.
- Re-knead by hand only. Re-kneading in the bowl is not recommended as it may cause the processor to become unstable.

### (23) twin beater geared whisk

Use for light mixtures only eg egg whites, cream, evaporated milk and for whisking eggs and sugar for fatless sponges. Heavier mixtures such as fat and flour will damage it.

## using the whisk

- 1 Fit the drive shaft and bowl onto the power unit.
- 2 Push each beater securely into the drive head (b).
- 3 Fit the whisk by carefully turning until it drops over the drive shaft.
- 4 Add the ingredients.
- 5 Fit the lid - ensuring the end of the shaft locates into the centre of the lid.
- 6 Switch on.



### important

- The whisk is not suitable for making one-stage cakes or creaming fat and sugar as these mixes will damage it. Always use the knife blade for cake making.

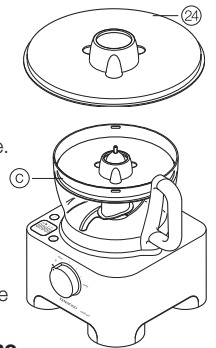
### hints

- Best results are obtained when the eggs are at room temperature.
- Ensure the bowl and whisks are clean and free from grease before whisking.

### (24) maxi-blend canopy

When blending liquids, use the maxi-blend canopy with the knife blade. It allows you to increase the liquid processing capacity from 1 litre to 1.5 litres, prevents leaking and improves the chopping performance of the blade.

- 1 Fit the drive shaft and bowl onto the power unit.
- 2 Fit the knife blade.
- 3 Add ingredients to be processed.
- 4 Fit the canopy over the top of the blade ensuring it sits on the ledge inside the bowl (c). **Do not push down on the canopy, hold by the centre grip.**
- 5 Fit the lid and switch on.



## slicing/shredding discs

### reversible slicing/shredding

#### discs - thick 25, thin 26

Use the shredding side for cheese, carrots, potatoes and foods of a similar texture.

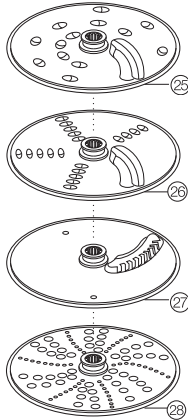
Use the slicing side for cheese, carrots, potatoes, cabbage, cucumber, courgette, beetroot and onions.

#### fine (Julienne style) chipper disc 27 (if supplied)

Use to cut: potatoes for Julienne style French fries; firm ingredients for salads, garnishes, casseroles and stir fries (eg carrot, swede, courgette, cucumber).

#### rasping disc 28 (if supplied)

Grates Parmesan cheese and potatoes for German potato dumplings.

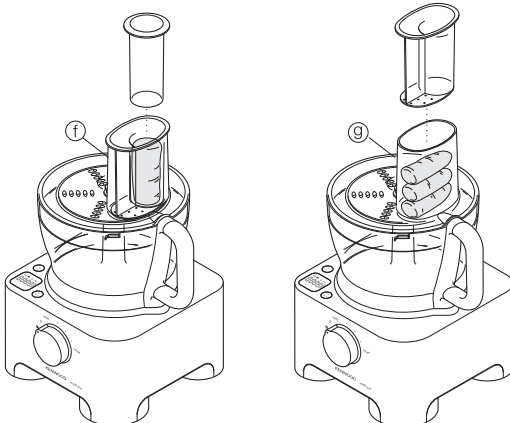
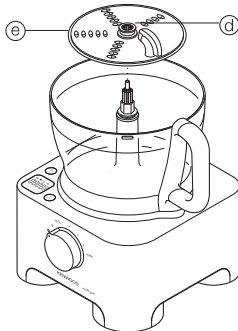


## safety

- **Never remove the lid until the cutting disc has completely stopped.**
- **Handle the cutting discs with care - they are extremely sharp**

## to use the cutting discs

- 1 Fit the drive shaft and bowl onto the power unit.
- 2 Holding by the centre grip (d), place the disc onto the drive shaft with the appropriate side uppermost (e).
- 3 Fit the lid.
- 4 Choose which size feed tube you want to use. The pusher contains a smaller feed tube for processing individual items or thin ingredients. To use the small feed tube - first put the large pusher inside the feed tube. To use the large feed tube - use both pushers together.
- 5 Put the food in the feed tube.
- 6 Switch on and push down evenly with the pusher - **never put your fingers in the feed tube.**



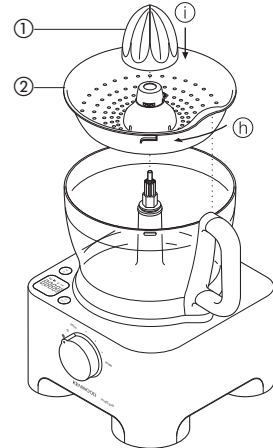
## hints

- Use fresh ingredients
- Don't cut food too small. Fill the width of the large feed tube fairly full. This prevents the food from slipping sideways during processing. Alternatively use the small feed tube.
- When using the chipper disc, place ingredients horizontally.
- When slicing or shredding: food placed upright (f) comes out shorter than food placed horizontally (g).
- There will always be a small amount of waste on the plate or in the bowl after processing.

## 29 citrus press (if supplied)

Use the citrus press to squeeze the juice from citrus fruits (eg oranges, lemons, limes and grapefruits).

- 1 cone
- 2 sieve



## to use the citrus press

- 1 Fit the drive shaft and bowl onto the power unit.
  - 2 Fit the sieve into the bowl - ensuring the sieve handle is locked into position directly over the bowl handle (h).
  - 3 Place the cone over the drive shaft turning until it drops all the way down (i).
  - 4 Cut the fruit in half. Then switch on and press the fruit onto the cone.
- **The citrus press will not operate if the sieve is not locked correctly.**



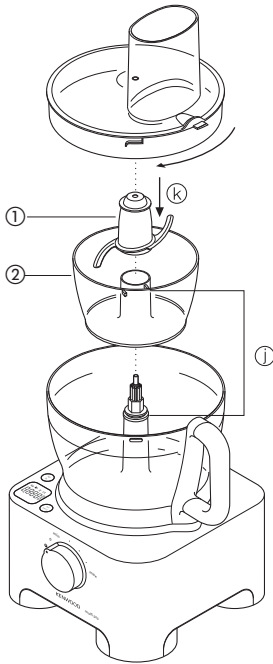
### 30 mini processor bowl (if supplied)

Use the mini processor bowl to chop herbs and process small quantities of ingredients e.g. meat, onion, nuts, mayonnaise, vegetables, purées, sauces and baby food.

- ① mini processor knife blade
- ② mini processor bowl

#### to use the mini processor bowl

- 1 Fit the drive shaft and bowl onto the power unit.
- 2 Fit the mini processor bowl - ensuring the ribs on the inside of the mini bowl chimney align with the slots in the main bowl chimney ①.
- 3 Place the knife blade over the drive shaft ②.
- 4 Add the ingredients to be processed.
- 5 Fit the lid and switch on.



#### safety

- Never remove the lid until the knife blade has completely stopped.
- The knife blade is very sharp - always handle with care.

#### important

- Don't process spices – they may damage the plastic.
- Don't process hard food such as coffee beans, ice cubes or chocolate – they may damage the blade.

#### hints

- Herbs are best chopped when clean and dry.
- Always add a little liquid when blending cooked ingredients to make baby food.
- Cut foods such as meat, bread, vegetables into cubes approximately 1-2 cm (1/2 – 3/8 in) before processing.
- When making mayonnaise add the oil down the feed tube.

### 31 metal centrifugal juicer (if supplied)

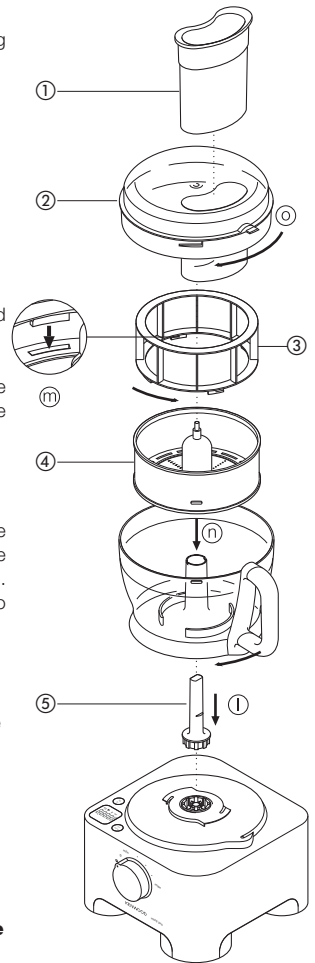
(use max speed)

Use the centrifugal juicer for making juice from firm fruit and vegetables.

- ① pusher
- ② lid
- ③ pulp remover
- ④ filter drum
- ⑤ juicer drive shaft

#### to use the centrifugal juicer

- 1 Fit the centrifugal drive shaft and bowl onto the power unit ①.
- 2 Place the pulp remover into the filter drum - ensuring the tabs locate with the slots in the bottom of the drum ③.
- 3 Fit the filter drum ④.
- **Your juicer will not work if the lid is unlocked.**
- 4 Place the attachment lid onto the bowl, turn until it locks and the feed tube sits over the handle ②.
- 5 Cut the food into small pieces to fit the feed tube.
- 6 Switch on and push down evenly with the pusher - **never put your fingers in the feed tube**. Process fully before adding more.
- After adding the last piece, let the juicer run for a further 20 seconds to extract all the juice from the filter drum.



#### safety

● **Do not use the juicer if the filter is damaged.**

- The cutting blades on the base of the filter drum are very sharp, take care when handling and cleaning the drum.
- Only use the pusher supplied. Never put your fingers in the feed tube. Unplug before unblocking the feed tube.
- Before removing the lid, switch off and wait for the filter to stop.

#### important

- If the juicer starts to vibrate, switch off and empty the pulp from the drum. (The juicer vibrates if the pulp becomes unevenly distributed).
- Maximum capacity that can be processed at one time is 500g of fruit or vegetables.
- Some very hard foods may make your juicer slow down or stop. If this happens switch off and unblock the filter.
- Switch off and clear the pulp collector regularly during use.

#### hints

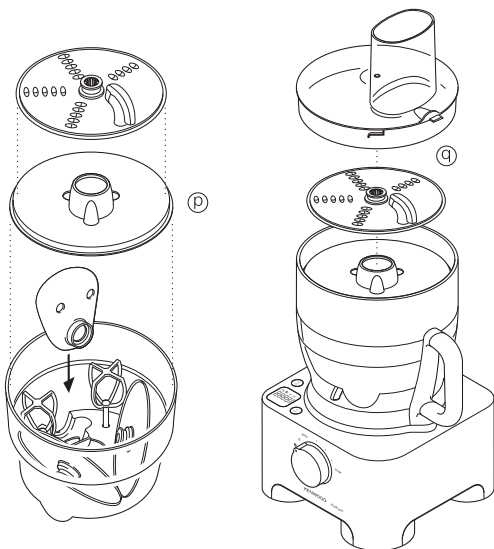
- Before processing remove stones and pips (eg pepper, melon, plum) and tough skins (eg melon, pineapple). You don't need to peel or core apples and pears.
- Use firm, fresh fruit and vegetables.
- Citrus juice will be bitter and frothy because its peel and pith get processed too. Use the citrus juicer instead.

## 32 KENSTORE™ attachments carousel

Your food processor is supplied with an attachment storage carousel that fits inside the bowl.

### to use the storage carousel

- 1 Fit the knife blade to the bowl.
- 2 Then fit the whisk, discs and canopy into the carousel (p).
- 3 Fit the carousel over the knife blade and place the processor lid on top (q).

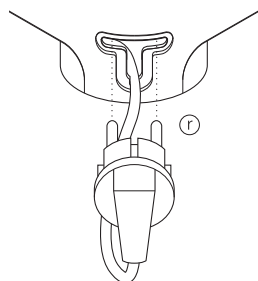


### care & cleaning

- Always switch off and unplug before cleaning.
- Handle the blades and cutting discs with care - they are extremely sharp.
- Some foods may discolour the plastic. This is perfectly normal and won't harm the plastic or affect the flavour of your food. Rub with a cloth dipped in vegetable oil to remove the discolouration.

#### power unit

- Wipe with a damp cloth, then dry. Ensure that the interlock area is clear of food debris.
- Store excess cord in the storage area at the back of the machine (r).



#### liquidiser and mini chopper/mill

- 1 Empty the jug/jar before unscrewing it from the blade unit.
- 2 Wash the jug/jar by hand.
- 3 Remove and wash the seals.
- 4 Don't touch the sharp blades – brush them clean using hot soapy water, then rinse thoroughly under the tap. **Don't immerse the blade unit in water.**
- 5 Leave to dry upside down.

#### twin beater geared whisk

- Detach the beaters from the drive head by gently pulling them free. Wash in warm soapy water.
- Wipe the drive head with a damp cloth, then dry. **Do not immerse the drive head in water.**

#### all other parts

- Wash by hand, then dry.
- Alternatively they can be washed on the top rack of your dishwasher. A short low temperature programme is recommended.

### service and customer care

- If the cord is damaged it must, for safety reasons, be replaced by KENWOOD or an authorised KENWOOD repairer.
- **If you experience any problems with the operation of the processor, before calling for assistance refer to the troubleshooting guide.**

If you need help with:

- using your appliance or
- servicing or repairs
- Contact the shop where you bought your appliance.

- Designed and engineered by Kenwood in the UK.
- Made in China.



#### IMPORTANT INFORMATION FOR CORRECT DISPOSAL OF THE PRODUCT IN ACCORDANCE WITH EC DIRECTIVE 2002/96/EC.

At the end of its working life, the product must not be disposed of as urban waste.

It must be taken to a special local authority differentiated waste collection centre or to a dealer providing this service. Disposing of a household appliance separately avoids possible negative consequences for the environment and health deriving from inappropriate disposal and enables the constituent materials to be recovered to obtain significant savings in energy and resources. As a reminder of the need to dispose of household appliances separately, the product is marked with a crossed-out wheeled dustbin.

## troubleshooting guide

| <b>Problem</b>  | <b>Cause</b>  | <b>Solution</b>  |
|---|---|--|
| The processor will not operate  | No power/indicator light not lit.<br>Bowl not locked on correctly.<br><br>Lid not locked correctly.   | Check processor is plugged in<br>Check bowl is located correctly and the handle is situated towards the right hand side.<br>Check that the lid interlock is located correctly into the handle area.<br><b>The processor will not work if the bowl and lid are fitted incorrectly.</b><br>If none of the above check the fuse/circuit breaker in your home. |
| Processor stops during processing   | Processor overloaded/maximum capacities exceeded.<br>Lid unlocked.                                    | Check maximum capacities stated under "to use your food processor".<br>Check lid is locked correctly.  |
| Poor performance of tools/attachments.  | Refer to hints in relevant "using the attachment" section. Check attachments are assembled correctly. |  |
| <b>Weighing function</b><br>Display screen freezes on [- - -]<br><br>Weight changed on display screen | Quantity weighed too small.<br><br>Power unit moved during operation.                                 | Use teaspoon and tablespoon measures for very small quantities.<br><br>Do not move unit during use.<br>Zero the display before weighing next ingredients.  |

# Português

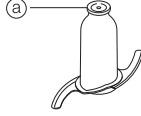
## Por favor desdobre as ilustrações da primeira página.

### antes de usar o seu aparelho Kenwood

- Leia atentamente estas instruções e guarde-as para consulta futura.
- Retire todas as embalagens e eventuais etiquetas.

## segurança

- As lâminas e os discos são afiados. Manuseie-os com cuidado. **Quando manusear ou limpar a lâmina, segure-a sempre pela pega ① existente na extremidade superior e mantenha os dedos afastados do gume.**
- Não levante ou transporte o aparelho pelo cabo – este pode quebrar resultando em ferimentos.
- Retire sempre a lâmina antes de retirar os alimentos da taça.
- Mantenha as mãos e os utensílios afastados da taça e do liquidificador enquanto o aparelho estiver ligado à corrente eléctrica.
- Desligue o aparelho e retire a ficha do cabo de alimentação da tomada de parede:
  - antes de instalar ou retirar as peças
  - após a utilização
  - antes das operações de limpeza
- Não utilize os dedos para empurrar os alimentos no tubo de alimentação. Utilize sempre o(s) calçador(es) fornecido(s).
- Antes de remover a tampa da taça ou liquidificador ou mini picadora/moinho da unidade:-
  - desligue o aparelho;
  - aguarde até o acessório/as lâminas pararem totalmente;
  - tenha cuidado para não desapertar o copo liquidificador ou a mini picadora/moinho da unidade da lâmina.
- **RISCO DE QUEIMADURAS:** Deve deixar os ingredientes quentes arrefecerem até à temperatura ambiente antes de os misturar.
- Não utilize a tampa para accionar o robô de cozinha, utilize sempre o botão de velocidade on/off.
- **Este aparelho pode ficar danificado e provocar ferimentos se exercer demasiada força sobre o mecanismo de entrelaqueio.**
- Não utilize acessórios não autorizados.
- Não deixe o aparelho sem supervisão quando estiver ligado.
- Não utilize o aparelho se estiver danificado. Os aparelhos danificados devem ser verificados ou reparados: consulte 'assistência técnica'.
- Não deixe que a unidade de alimentação, o cabo ou a ficha fiquem molhados.
- Não deixe que o cabo fique pendurado ao longo da extremidade de uma mesa ou bancada ou entre em contacto com superfícies quentes.
- Utilize o robô de cozinha apenas para os fins para os quais foi concebido.
- Não exceda as capacidades máximas indicadas.
- Este electrodoméstico não deverá ser utilizado por pessoas (incluindo crianças) com capacidades mentais, sensoriais ou físicas reduzidas ou com falta de experiência e conhecimento, a não ser que sejam supervisionadas ou instruídas sobre o uso do electrodoméstico por uma pessoa responsável pela sua segurança.
- As crianças devem ser vigiadas para garantir que não brincam com o electrodoméstico.



- Use o aparelho apenas para o fim doméstico a que se destina. A Kenwood não se responsabiliza caso o aparelho seja utilizado de forma inadequada, ou caso estas instruções não sejam respeitadas.
- O uso inapropriado do seu processador/liquidificador pode resultar em ferimentos.

### antes de ligar

- Certifique-se de que a corrente eléctrica doméstica corresponde à indicada na base do aparelho.
- Este aparelho está em conformidade com a directiva 2004/108/EC da CEE sobre Compatibilidade Electromagnética e o regulamento da CEE nº. 1935/2004 de 27/10/2004 sobre materiais concebidos para estarem em contacto com alimentos.

### antes de utilizar o aparelho pela primeira vez

- 1 Retire todas as protecções plásticas incluindo o revestimento plástico das lâminas. **Tome atenção pois as lâminas são muito afiadas.** Os revestimentos plásticos devem ser retirados pois destinam-se apenas à protecção das lâminas durante o fabrico e o transporte.
- 2 Lave as peças de acordo com as instruções da secção 'limpeza'
- 3 Enrole o excesso de cabo na parte posterior do aparelho.

## componentes

### robô de cozinha

- ① unidade de alimentação
- ② veio accionador amovível
- ③ taça
- ④ tampa
- ⑤ tubo de alimentação
- ⑥ calçadores
- ⑦ entrelaqueios de segurança
- ⑧ área de arrumação do cabo
- ⑨ controlo de velocidade com luz indicadora de ligação à corrente

### função de pesagem

- ⑩ botão on (ligar)/zero
- ⑪ ecrã de visualização
- ⑫ botão kg/lb
- ⑬ prato de pesagem

### liquidificador

- ⑭ tampa de enchimento
- ⑮ tampa
- ⑯ jarro
- ⑰ anel de vedação
- ⑱ unidade de lâminas

### mini picadora/moinho (se fornecido)

- ⑲ tampa do moinho
- ⑳ jarro

## acessórios

**Nem todos os acessórios da lista abaixo poderão estar incluídos no seu processador de alimentos. Os acessórios dependem do modelo.**

- ⑳ lâmina
- ㉑ utensílio para massa
- ㉒ pinha com duas varetas
- ㉓ cúpula grande para misturas
- ㉔ disco de cortar fatias grossas/picar grosso
- ㉕ disco de cortar fatias finas/picar fino
- ㉖ disco de picar fino (estilo juliana) (se fornecido)
- ㉗ disco de ralar (se fornecido)
- ㉘ espremedor de citrinos (se fornecido)
- ㉙ taça picadora pequena (se fornecido)
- ㉚ centrifugador de sumos (se fornecido)
- ㉛ suporte dos discos KENSTORE™

## utilizar o robô de cozinha

- 1 Instale o veio accionador sobre a unidade do motor ❶.
- 2 Em seguida, coloque a taça. Vire o manípulo para a parte posterior e rode-o no sentido dos ponteiros do relógio até ficar bloqueado ❷.
- 3 Encaixe um acessório no veio accionador.
  - Coloque sempre a taça e o acessório no aparelho antes de adicionar os ingredientes.
- 4 Coloque a tampa ❸ - certificando-se de que a parte superior do veio accionador fica alinhada com o centro da tampa.
  - **Não utilize a tampa para accionar o robô. Utilize sempre o botão de velocidade on/off.**
- 5 Ligue o aparelho à corrente e a luz indicadora de ligação à corrente iluminar-se-á. Ligue o aparelho e seleccione uma velocidade.
  - **O robô não funciona quando a taça e a tampa foram colocadas incorrectamente.**
  - Utilize o botão de impulso (P) para impulsos curtos. O botão de impulso permanece activo enquanto estiver a ser premido.
- 6 Efectue o procedimento acima pela ordem inversa para retirar a tampa, os acessórios e a taça.
  - **Desligue sempre o aparelho antes de retirar a tampa. importante**
  - O robô não foi concebido para esmagar ou moer grãos de café nem transformar açúcar granulado em açúcar mais fino.
  - Quando adicionar essência ou aroma de amêndoa às misturas, evite o contacto com as peças de plástico pois tal pode resultar em manchas permanentes.

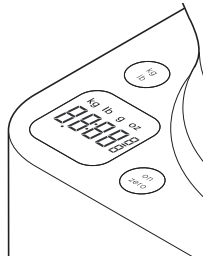
## escolher uma velocidade para todas as funções

| Utensílio/acessório                    | Função  | Velocidade                           | Capacidades máximas   |
|--|---|--------------------------------------|---|
| Lâmina                                 | Fazer bolos<br>Massa – misturar a gordura com a farinha<br>Adicionar água aos ingredientes da massa<br>Cortar/purés/patés | Min – Max<br>5 – Max<br>1 – 5<br>Max | Peso total 1,5 kg<br>Peso da farinha 340 g<br><br>Carne 600 g |
| Lâmina com cúpula grande para misturas | Sopas – comece com uma velocidade baixa e aumente para Max  | Min – Max                            | 1,5 litros  |
| Pinha                                  | Claras de ovo<br>Ovo e açúcar para pão-de-ló magro<br>Natas   | Max<br>Max<br>5 – Max                | 6 claras de ovo<br><br>500 ml                                 |
| Utensílio para massa                   | Misturas levedadas  | Max                                  | 600 g   |
| Discos – fatiar/picar/cortar           | Alimentos consistentes como cenouras, queijo duro<br>Alimentos moles como pepinos, tomates                                | 5 – Max<br>Min - 5                   |   |
| Disco de ralar                         | Queijo Parmesão, batatas para almôndegas de batata alemãs   | Max                                  |   |
| Espremedor de citrinos                 | Citrinos  | 1                                    |   |
| Picadora pequena e faca                | Todos os tipos de processamento   | Max                                  | 200 g   |
| Liquidificador                         | Todos os tipos de processamento   | Max                                  | 1,5 litros  |
| Mini picadora/Moinho                   | Todos os tipos de processamento   | Max                                  |   |
| Espremedor centrifugador               | Frutas e legumes  | Max                                  | 500g  |

## função de pesagem

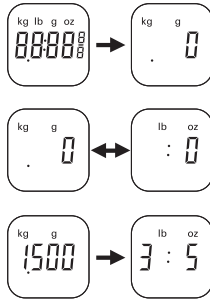
O seu processador de alimentos encontra-se equipado com uma função de pesagem que permite que os alimentos sejam pesados directamente a partir da taça ou jarro liquidificador.

- A capacidade Máxima de pesagem é de 3Kg. Este é o peso total de todos os ingredientes mais o peso da taça ou do jarro.



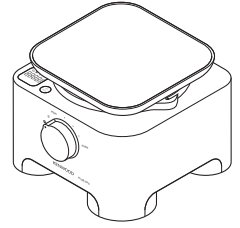
## para utilizar a função de pesagem

- 1 Ajuste sempre o eixo impulsor, a taça e o acessório ou jarro liquidificador na unidade de potência antes de adicionar os ingredientes.
  - 2 Ligue à corrente – o ecrã de visualização irá permanecer em branco.
  - 3 Pressione o botão ON/ZERO uma vez para acender o ecrã de visualização.
  - 4 Pressione o botão (kg/lb) para seleccionar entre gramas ou onças. Ao ligar o visualizador encontra-se definido para kg/g.
- A unidade pesa em incrementos de 2g e recomenda-se a utilização de colheres de chá/colheres de sopa para medição de pequenas quantidades.
- 5 Verifique se o visualizador apresenta '0', caso contrário, coloque a zero pressionando no botão ON/ZERO. De seguida pese os ingredientes necessários directamente para a taça ou jarro. Após visualização do peso, pressione o botão ON/ZERO e o visualizador volta a '0'. Adicione os próximos ingredientes e será apresentado esse peso. Repita até que todos os ingredientes se encontrem pesados.
- Caso o visualizador não se encontre a zeros e quer os ingredientes ou quer a taça/acessório/tampa sejam removidos, o visualizador irá apresentar [ - - - ] indicando uma leitura negativa. **Para colocar a zeros, pressione uma vez o botão ON/ZERO.**
- 6 Coloque a tampa e seleccione uma velocidade para colocar o processador em funcionamento.
- Durante a operação o ecrã de visualização irá bloquear [ - - - ] até que o controlo de velocidade seja desligado.
  - Após o processamento, o último peso será visualizado no ecrã quando o controlo de velocidade é desligado.
- Nota: o peso da tampa será incluído caso o visualizador não se encontre a zeros antes de ser ligado.
- O peso de quaisquer ingredientes adicionais acrescentados ao tubo de alimentação quando o processador se encontra em funcionamento não será indicado no ecrã de visualização.



## 13 prato de pesagem

É fornecido um prato de pesagem para a pesagem dos ingredientes sem a utilização da taça ou liquidificador. Para utilizar, coloque o prato encima da unidade de potência e rode no sentido dos ponteiros de relógio. De seguida, siga os passos 2 a 5 descritos em "para utilizar a função de pesagem".



Para remover, rode o prato no sentido contrário dos ponteiros do relógio e retire.

### Desligar automático

- O ecrã de visualização irá desligar automaticamente caso a mesma leitura de pesagem seja apresentada após 5 minutos.
- O visor pode ser desligado manualmente pressionando e mantendo pressionado o botão ON/ZERO (LIGADO/ZERO) durante alguns segundos.

### Importante

- Não coloque peso a mais excedendo a capacidade máxima de pesagem de 3Kg.
- Não sujeite a unidade de alimentação a força excessiva pois tal poderá danificar o sensor de pesagem.
- Coloque sempre o processador numa superfície plana seca antes de iniciar a pesagem.
- Não mexa a unidade de alimentação durante a operação da função de pesagem.

## utilizar o seu liquidificador

- 1 Coloque o anel vedante 17 na unidade das lâminas 18 – assegurando-se que o vedante está correctamente localizado.
- Se o vedante estiver danificado ou não estiver colocado correctamente pode ocorrer uma fuga.**
- 2 Enrosque o jarro na unidade das lâminas.
  - 3 Coloque os ingredientes no jarro.
  - 4 Coloque a tampa no copo e puxe para baixo para prender 4. Coloque a tampa de enchimento.
  - 5 Coloque o liquidificador na unidade de alimentação e rode para o bloquear 5.
  - 6 Seleccione uma velocidade ou utilize o botão de impulso.

### Importante

- **RISCO DE QUEIMADURAS:** Deve deixar os ingredientes quentes arrefecerem até à temperatura ambiente antes de os misturar.
- Para garantir um tempo de vida útil prolongado para o seu liquidificador, nunca o deixe funcionar durante mais de 60 segundos seguidos. Desligue-o logo que tenha alcançado a consistência pretendida.
- Não processe especiarias – podem danificar o plástico.
- O aparelho não funciona quando o liquidificador é colocado incorrectamente.
- Não introduza ingredientes secos no liquidificador antes de o ligar. Caso necessário, corte-os em pedaços, remova a tampa de enchimento e, em seguida, introduza-os um a um com o aparelho em funcionamento.
- Não utilize o liquidificador como recipiente de armazenamento. Mantenha-o vazio antes e depois de o utilizar.
- Nunca misture mais de 1 \_ litros – quantidade inferior para líquidos cremosos como batidos de leite.

### sugestões

- Quando confeccionar maionese, coloque todos os ingredientes, excepto o azeite no liquidificador. Remova a tampa de enchimento. Em seguida, com o aparelho em funcionamento, deite muito devagar o azeite através da tampa.
- As misturas espessas, como patés e massas podem necessitar de ser raspadas. Se tiver dificuldades em misturar os alimentos, adicione mais líquido.
- Ao esmagar gelo utilize o botão de impulso para impulsos curtos.

### para utilizar a mini picadora/moinho (se fornecido)

Utilize a mini picadora/moinho para triturar ervas, nozes e grãos de café.

- 1 Deite os ingredientes no jarro. Não encha mais de meio.
- 2 Coloque o anel vedante (17) na unidade das lâminas (18).
- 3 Vire a unidade das lâminas ao contrário. Coloque-a dentro do recipiente, com as lâminas para baixo.
- 4 Enrosque a unidade das lâminas no recipiente até estar bem apertada.
- 5 Coloque a mini picadora/moinho na unidade motriz e rode para prender (6).
- 6 Ligue à velocidade máxima ou utilize o pulsador.

### segurança

- Nunca instale a unidade das lâminas na sua máquina sem o copo instalado.
- Nunca desenrosque o copo enquanto a mini picadora/moinho estiver colocado no aparelho.
- Não toque nas lâminas afiadas. Mantenha a unidade das lâminas afastada das crianças.
- Nunca retire a mini picadora/moinho enquanto as lâminas não estiverem completamente paradas.

### importante

- Para assegurar uma longa vida da sua mini picadora/moinho, nunca o faça funcionar mais de 30 segundos seguidos. Desligue o aparelho logo que obtenha a consistência desejada.
- Não utilize a máquina com especiarias – podem danificar o plástico.
- A máquina não funcionará se a mini picadora/moinho não estiverem bem colocados.
- Utilize apenas com ingredientes secos.

### sugestões

- Obterá melhores resultados se picar as ervas aromáticas quando limpas e secas.

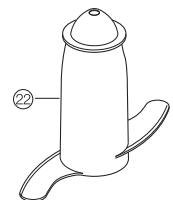
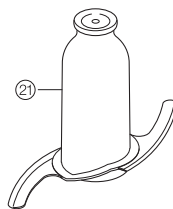
## utilizar os acessórios

### (21) lâmina/(22) utensílio para massa

A lâmina é o acessório mais versátil. A duração do processamento determina a textura obtida. Para texturas mais espessas utilize o botão de impulso.

Utilize a lâmina para bolos e biscoitos, picar carne crua e cozida, vegetais, nozes, patés, pastas, sopas em puré e ralar biscoitos e pão. Pode também ser utilizada para misturas com massas levedadas quando o utensílio para massa não é fornecido.

Utilize o utensílio para massa quando utilizar misturas levedadas.



### sugestões

#### lâmina

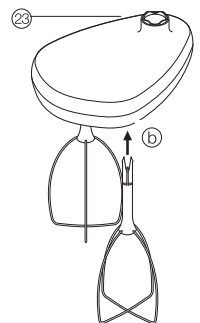
- Corte alimentos como carne, pão e vegetais em cubos com aproximadamente 2cm/3/4 pol antes de os processar.
- Os biscoitos devem ser partidos em pedaços e adicionados através do tubo de alimentação com o aparelho em funcionamento.
- Quando estiver a fazer biscoitos amanteigados, utilize gordura retirada directamente do frigorífico e cortada em cubos de 2cm/3/4 pol.
- Tome atenção para não cortar os alimentos em demasia.

#### utensílio para massa

- Coloque os ingredientes secos na taça e adicione líquido através do tubo de alimentação com o aparelho em funcionamento. Processe até obter uma bola de massa macia e elástica. Demora cerca de 60 - 90 segs.
- Volte a amassar apenas com as mãos. Não volte a amassar utilizando a taça pois o robô pode ficar instável.

### (23) pinha com duas varetas

Utilize para misturas leves como, por exemplo, claras de ovo, natas, leite e pó ou bater ovos e açúcar para obtenção de massas magras tipo pão-de-ló. Misturas mais pesadas como gordura e farinha podem danificar o utensílio.



## utilizar a pinha

- 1 Instale o veio accionador e a taça na unidade de alimentação.
- 2 Encaixe correctamente cada vareta na cabeça accionadora (b).
- 3 Instale a pinha, rodando-a cuidadosamente até ficar encaixada no veio accionador.
- 4 Adicione os ingredientes.
- 5 Coloque a tampa - certificando-se que a extremidade do veio fica alinhada com o centro da tampa.
- 6 Ligue o aparelho.

### importante

- A pinha não é indicada para fazer bolos ou para bater manteiga e açúcar, podendo estas misturas danificá-la. Utilize sempre a lâmina para fazer bolos.

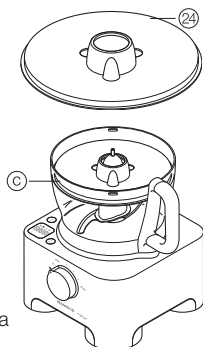
### sugestões

- Para obter resultados óptimos, utilize ovos à temperatura ambiente.
- Certifique-se de que a taça e as varetas estão limpas e não têm gordura agarrada.

### 24 cúpula maxi-blend

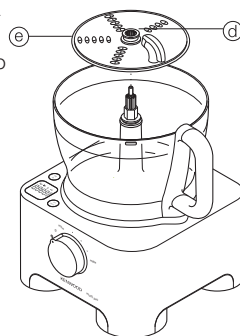
Utilize a cúpula maxi-blend juntamente com a lâmina para misturar líquidos. A capacidade de processamento de líquidos aumenta de 1 litro para 1,5 litros, as fugas são eliminadas e os resultados de corte da lâmina são melhorados.

- 1 Instale o veio accionador e a taça na unidade de alimentação.
- 2 Coloque a lâmina.
- 3 Adicione os ingredientes a processar.
- 4 Instale a cúpula sobre a parte superior da lâmina, certificando-se de que fica correctamente encaixada na saliência existente no interior da taça (c). **Não faça pressão sobre a cúpula. Segure-a pela pega central.**
- 5 Coloque a tampa e ligue o aparelho.



### utilizar os discos de cortar

- 1 Instale o veio accionador e a taça na unidade de alimentação.
- 2 Segure a pega central (d) e coloque o disco no veio accionador com o lado adequado virado para cima (e).
- 3 Coloque a tampa.
- 4 Escolha o tipo de tubo de alimentação que pretende utilizar. O calcador contém um tubo de alimentação mais pequeno para processamento de ingredientes individuais ou finos. Para utilizar o tubo de alimentação pequeno, introduza primeiro o calcador grande no tubo de alimentação. Para utilizar o tubo de alimentação grande, utilize os dois calcadores em conjunto.
- 5 Introduza os alimentos no tubo de alimentação.
- 6 Ligue o aparelho e empurre uniformemente os alimentos com o calcador - **nunca introduza os dedos no tubo de alimentação.**



### discos de cortar às rodelas/picar

#### discos de cortar às rodelas/picar reversíveis - grosso (25) , fino (26)

Utilize o lado de picar para queijo, cenouras, batatas e alimentos de textura semelhante.

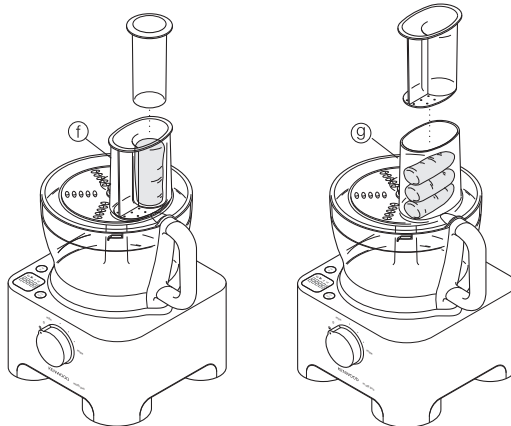
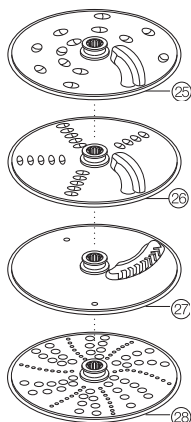
Utilize o lado de cortar às rodelas para queijo, batatas, couve, pepino, curgetes, beterraba e cebolas.

#### disco de cortar (estilo palha) fino (27) (se fornecido)

Utilize para cortar: batatas fritas tipo palha ingredientes consistentes para saladas, guarnições, guisados e salteados (por exemplo, cenoura, nabo, curgetes e pepino).

#### disco de ralar (28) (se fornecido)

Rala queijo Parmesão e batatas para bolinhos de massa de batata alemães.



### sugestões

- Utilize ingredientes frescos
- Não corte os alimentos em pedaços demasiado pequenos. Encha praticamente toda a largura do tubo de alimentação. Isto evita que os alimentos escorreguem lateralmente durante o processamento. Pode também utilizar o tubo de alimentação pequeno.
- Quando utilizar o disco de cortar, coloque os ingredientes na horizontal.
- Quando cortar às rodelas ou picar: os alimentos colocados na vertical (f) são cortados em pedaços mais pequenos do que os alimentos colocados na horizontal (g).
- Terminado o processamento, encontrará sempre restos no disco ou na taça.

### segurança

- **Só retire a tampa depois de o disco de corte parar totalmente.**
- **Manuseie cuidadosamente os discos de corte - são extremamente afiados**



## 29 espremedor de citrinos (se fornecido)

Utilize o espremedor de citrinos para obter o sumo de citrinos (por exemplo, laranjas, limões, limas e toranjas).

- ① cone
- ② passador

### utilizar o espremedor de citrinos

- 1 Instale o veio accionador e a taça na unidade de alimentação.
- 2 Coloque o passador na taça - certificando-se de que o manípulo do passador fica bloqueado numa posição directamente acima do manípulo da taça (h).
- 3 Coloque o cone sobre o veio accionador, rodando-o até descer totalmente (i).
- 4 Corte a fruta ao meio. Em seguida, ligue o aparelho e pressione a fruta contra o cone.

● **O espremedor de citrinos não funciona quando o passador for colocado incorrectamente.**

## 30 picadora pequena (se fornecido)

Utilize a picadora pequena para picar ervas aromáticas e processar pequenas quantidades de ingredientes, como carne, cebola, maionese, legumes, purés, molhos e comida para bebé.

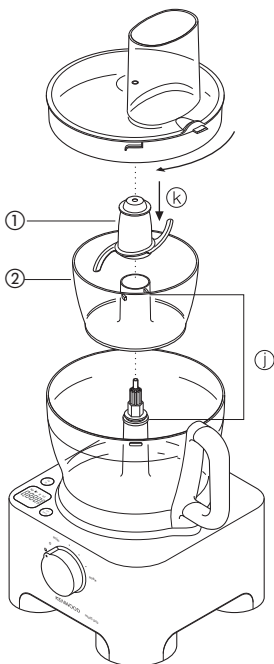
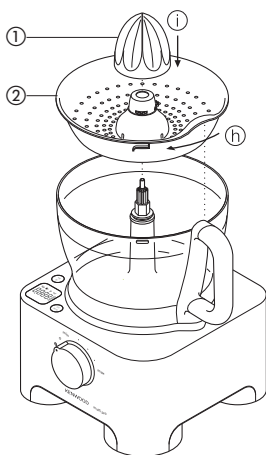
- ① lâmina da picadora pequena
- ② picadora pequena

### para utilizar a picadora pequena

- 1 Coloque o veio accionador e a taça na unidade de alimentação.
- 2 Instale a picadora pequena - certificando-se de que as estrias no interior do tubo de alimentação da picadora pequena ficam alinhadas com as ranhuras no tubo de alimentação principal (i).
- 3 Coloque a lâmina sobre o veio accionador (k).
- 4 Adicione os ingredientes a serem processados.
- 5 Coloque a tampa e ligue o aparelho.

#### segurança

- Nunca remova a tampa antes da lâmina ter parado por completo.
- A lâmina é muito afiada - manuseie-a sempre com cuidado.



#### importante

- Não processe especiarias - podem danificar o plástico.
- Não processe alimentos duros como grãos de café, cubos de gelo ou chocolate - estes podem danificar a lâmina.

#### sugestões

- Obterá melhores resultados se picar as ervas aromáticas quando limpas e secas.
- Adicione sempre um pouco de líquido quando misturar ingredientes cozinhados para fazer comida para bebé.
- Corte alimentos como carne, pão e legumes em cubos com aproximadamente 1-2 cm antes de os processar.
- Ao fazer maionese adicione o óleo através do tubo de alimentação.

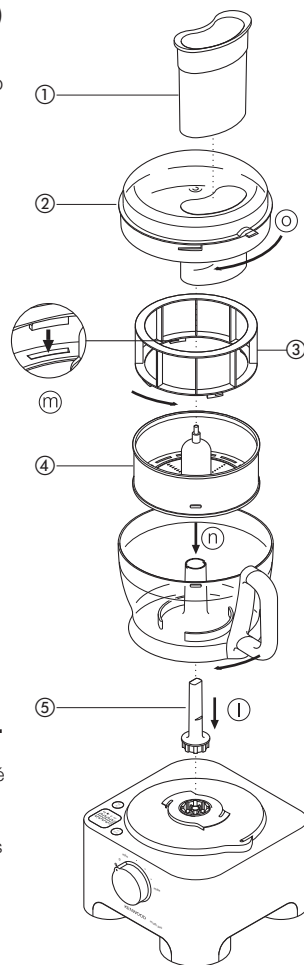
## 31 espremedor centrifugador (se fornecido) (utilizar velocidade máxima)

Utilize o espremedor centrifugador para fazer sumo de frutas e legumes firmes.

- ① empurrador
- ② tampa
- ③ removedor de polpa
- ④ tambor do filtro
- ⑤ eixo motor da máquina de sumos

### utilização do espremedor centrifugador

- 1 Instale o veio accionador centrífuga e a taça na unidade do motor (1).
  - 2 Coloque o removedor de polpa no tambor do filtro - certifique-se de que as patilhas encaixam nas ranhuras existentes na parte inferior do tambor (m).
  - 3 Ajuste o tambor do filtro (n). **A sua máquina de sumos não funcionará caso a tampa esteja desapertada.**
  - 4 Coloque a tampa do acessório na taça e rode-a até travar e até o tubo de alimentação ficar acima da pega (o).
  - 5 Corte os alimentos em bocados pequenos que caibam no tubo de alimentação.
  - 6 Ligue o aparelho e exerça pressão uniforme sobre os alimentos com o empurrador - **nunca introduza os dedos no tubo de alimentação.** Processe bem os alimentos antes de adicionar mais.
- Depois de adicionar a última peça, deixe a máquina de sumos trabalhar durante mais 20 segundos para extrair todo o sumo do tambor do filtro.



## segurança

- **Não utilize a centrífugadora se o filtro estiver danificado.**
- As lâminas de corte na base do tambor do filtro são muito afiadas; tenha cuidado ao manusear e ao limpar o tambor.
- Utilize apenas o empurrador fornecido. Nunca introduza os dedos no tubo de alimentação. Desligue a ficha da tomada de corrente antes de desbloquear o tubo de alimentação.
- Antes de tirar a tampa, desligue a ficha da tomada de corrente e espere que o filtro pare.

### importante

- Se o espremedor começar a vibrar, desligue-o e retire a polpa do tambor. (O espremedor vibra se a polpa ficar distribuída de forma não uniforme).
- A quantidade máxima que pode ser processada de uma só vez é de 500g de fruta ou legumes.
- Alguns alimentos muito duros podem fazer com que o espremedor abraque a velocidade ou pare. Se tal acontecer, desligue e desbloqueie o filtro.
- Desligue e limpe o colector de polpa regularmente durante a utilização.

### sugestões

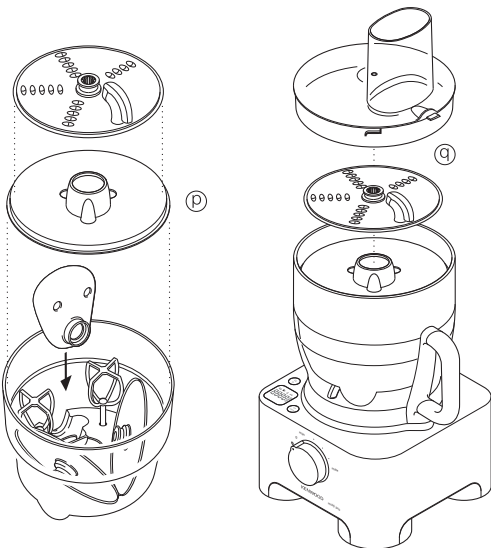
- Antes de processar, retire caroços e sementes (por exemplo, de pimento, melão e ameixa) e peles duras (por exemplo, de melão e ananás). Não precisa de pelar ou retirar as sementes de maçãs e peras.
- Utilize fruta e legumes firmes e frescos.
- O sumo dos citrinos será amargo e espumoso devido ao processamento conjunto da sua casca e pele branca. Utilize antes o espremedor de citrinos para este efeito.

## 32 suporte dos discos KENSTORE™

O seu robô de cozinha é fornecido com um suporte de armazenamento dos discos que cabe dentro da taça.

## utilizar o suporte de armazenamento

- 1 Coloque a lâmina na taça.
- 2 De seguida coloque a pinha, os discos e a cúpula no interior do suporte (P).
- 3 Instale o suporte sobre a lâmina e coloque a tampa do aparelho encima (Q).

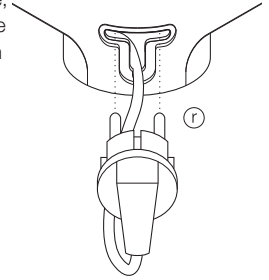


## manutenção e limpeza

- Desligue sempre o aparelho e retire a ficha do cabo de alimentação da tomada de parede.
- Manuseie as lâminas e dos discos de cortar com cuidado - são extremamente afiados.
- Alguns alimentos podem retirar a cor do plástico. Isto é perfeitamente normal e não danifica o plástico nem altera o sabor dos alimentos. Limpe com o pano humedecido com óleo vegetal para recuperar a cor original.

### unidade de alimentação

- Limpe com um pano humedecido e, em seguida, seque. Certifique-se de que a área de entrelaqueamento não tem restos de alimentos agarrados.
- Guarde o excesso do cabo na área de armazenamento existente na parte posterior do aparelho (R).



### liquidificador e mini picadora/moinho

- 1 Despeje o copo do liquidificador, ou o copo do moinho, antes de os desenroscar da unidade das lâminas.
- 2 Lave o copo do liquidificador e o copo do moinho à mão.
- 3 Remova e lave os vedantes
- 4 Não toque nas lâminas afiadas - escove-as com água quente e detergente e, em seguida, enxague em água corrente. **Não coloque a unidade de lâminas dentro de água.**
- 5 Deixe-a secar, colocando-a ao contrário.

### pinha com duas varetas

- Retire as varetas da cabeça accionadora, puxando-as com cuidado. Lave-as em água quente e detergente.
- Limpe a cabeça accionadora com um pano humedecido e, em seguida, seque-a. **Não coloque a cabeça accionadora dentro de água.**

### as restantes peças

- Lave-as à mão e, em seguida, seque-as.
- Como alternativa podem ser lavados na prateleira superior da sua máquina de lavar loiça. Recomenda-se um programa curto a baixa temperatura.

## assistência e cuidados do cliente

- Caso o fio se encontre danificado, deverá, por motivos de segurança, ser substituído pela KENWOOD ou por um reparador KENWOOD autorizado.

- **Se tiver alguns problemas com o funcionamento do seu robô de cozinha, antes de chamar um técnico, consulte o guia de resolução de problemas.**

Caso necessite de assistência para:

- utilizar o seu electrodoméstico ou
- assistência ou reparações
- Contacte o estabelecimento onde adquiriu o seu aparelho.

- Concebido e projectado no Reino Unido pela Kenwood.
- Fabricado na China.



### ADVERTÊNCIAS PARA A ELIMINAÇÃO CORRECTA DO PRODUTO NOS TERMOS DA DIRECTIVA EUROPEIA 2002/96/EC.

No final da sua vida útil, o produto não deve ser eliminado conjuntamente com os resíduos urbanos.

Pode ser depositado nos centros especializados de recolha diferenciada das autoridades locais, ou junto dos revendedores que prestem esse serviço. Eliminar separadamente um electrodomésticos permite evitar as possíveis consequências negativas para o ambiente e para a saúde pública resultantes da sua eliminação inadequada, além de permitir reciclar os materiais componentes, para, assim se obter uma importante economia de energia e de recursos.

Para assinalar a obrigação de eliminar os electrodomésticos separadamente, o produto apresenta a marca de um contentor de lixo com uma cruz por cima.

### guia de avarias

| Problema  | Causa   | Solução   |
|---|---|---|
| O aparelho não funciona   | Não há corrente/luz indicadora não está iluminada.<br>A taça não está bloqueada correctamente.<br>A tampa não está bloqueada correctamente. | Verifique se o aparelho está ligado à corrente.<br>Verifique se a taça está colocada correctamente e se o cabo se encontra virado para o lado direito.<br>Verifique se o interbloqueio da tampa está posicionado correctamente na área do cabo.<br><b>O aparelho não funciona se a taça e a tampa estiverem colocadas incorrectamente.</b><br>No caso de não se tratar de nenhuma das situações acima mencionadas, verifique os fusíveis/disjuntor da sua casa. |
| O aparelho pára durante o processamento   | O aparelho está sobrecarregado/as capacidades máximas foram excedidas.<br>Tampa desbloqueada.   | Verifique as capacidades máximas apresentadas em "utilizar o seu robô de cozinha"<br>Verifique se a tampa está bloqueada correctamente.   |
| Desempenho fraco dos utensílios/acessórios  | Consulte as sugestões na secção relacionada com "utilizar os acessórios". Verifique se os acessórios estão montados correctamente.          |   |
| <b>função de pesagem</b><br>O ecrã de visualização bloqueia em [- - -]<br>O peso é alterado no ecrã de visualização | A quantidade pesada é muito pequena.<br>A unidade de alimentação foi mexida durante a operação.   | Utilize colheres de chá e colheres de sopa para medir quantidades muito pequenas.<br>Não mexa na unidade durante a utilização.<br>Coloque o visualizador a zeros antes de pesar os ingredientes seguintes.  |

# Español

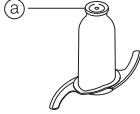
## Antes de leer, despliegue la portada que muestra las ilustraciones.

### antes de utilizar su aparato Kenwood

- Lea estas instrucciones atentamente y guárdelas para poder utilizarlas en el futuro.
- Quite todo el embalaje y las etiquetas.

## seguridad

- Las cuchillas y los discos de corte están muy afilados; manéjelos con cuidado. **Sostenga siempre la cuchilla por el asa (a), situada en la parte superior, y mantenga los dedos alejados de los bordes cortantes, tanto durante el uso como en las operaciones de limpieza.**
- No levante ni transporte el procesador por el asa, que se podría romper y causar una lesión.
- Retire siempre la cuchilla antes de vaciar el contenido del bol.
- Mantenga las manos y los utensilios alejados del bol y de la jarra de la licuadora mientras el aparato esté conectado a la toma de corriente eléctrica.
- Apague y desconecte el aparato:
  - antes de montar o desmontar cualquier componente
  - después del uso
  - antes de limpiarlo
- Nunca utilice los dedos para empujar los alimentos en el tubo de entrada. Utilice siempre el embudidor que se suministra con el aparato.
- Antes de quitar la tapa del bol o de retirar la licuadora o la minipicadora/molinillo de la unidad de potencia:
  - desenchufe el aparato;
  - espere hasta que los accesorios/cuchillas se hayan parado totalmente;
  - tenga cuidado de no desenroscar la jarra de la licuadora o la minipicadora/molinillo de la unidad de cuchillas.
- **RIESGO DE ESCALDARSE:** Deje que los ingredientes calientes se enfríen hasta que alcancen la temperatura ambiente antes de mezclarlos.
- No utilice la tapa para hacer funcionar el robot de cocina; utilice siempre el control de velocidad de encendido/apagado.
- **Este aparato se estropeará y puede producir lesiones si el mecanismo de enclavamiento se ve sometido a una fuerza excesiva.**
- Nunca utilice un accesorio no autorizado.
- Nunca deje este aparato desatendido.
- Nunca utilice un aparato dañado. Haga que lo revisen o reparen: vea 'servicio'.
- Nunca permita que se mojen el bloque motor, el cable o el enchufe.
- No deje que el cable de alimentación eléctrica cuelgue de la mesa o zona de trabajo ni esté en contacto con superficies calientes.
- Este procesador de alimentos es para sólo uso doméstico; no lo utilice para otros fines.
- No sobrepase las capacidades máximas indicadas.
- Este aparato no está pensado para ser utilizado por personas (incluyendo niños) con capacidades físicas, sensoriales o mentales disminuidas, o con falta de experiencia o conocimientos, a menos que hayan recibido instrucciones o supervisión en relación con el uso del aparato por parte de una persona responsable de su seguridad.
- Los niños deben ser vigilados para asegurarse de que no juegan con el aparato.



- Utilice este aparato únicamente para el uso doméstico al que está destinado. Kenwood no se hará cargo de responsabilidad alguna si el aparato se somete a un uso inadecuado o si no se siguen estas instrucciones.
- Si no usa el procesador/la licuadora debidamente podría resultar herido.

### antes de enchufar el robot de cocina

- Asegúrese de que la corriente eléctrica es la misma que figura en la parte inferior del aparato.
- Este dispositivo cumple con la Directiva 2004/108/CE sobre Compatibilidad Electromagnética, y con el reglamento (CE) n° 1935/2004, de 27 de octubre de 2004, sobre los materiales y objetos destinados a entrar en contacto con alimentos.

### antes de utilizar el robot de cocina por primera vez

- 1 Retire todo el embalaje, incluidos los protectores de plástico de la cuchilla. **Las cuchillas están muy afiladas.** No guarde los protectores de plástico, ya que sólo se utilizan para proteger la cuchilla durante el proceso de fabricación y transporte.
- 2 Lave las piezas: vea 'limpieza'.
- 3 Recoja el exceso de cable en la parte trasera del aparato.

## elementos principales robot de cocina

- ① bloque motor
- ② eje de transmisión desmontable
- ③ bol
- ④ tapa
- ⑤ tubo de entrada
- ⑥ embudidores
- ⑦ enclavamientos de seguridad
- ⑧ guardacable
- ⑨ botón de velocidad con luz de encendido

### función de pesaje

- ⑩ botón on/zero
- ⑪ pantalla
- ⑫ botón kg/lb
- ⑬ bandeja de pesaje

## licuadora

- ⑭ tapón de llenado
- ⑮ tapa
- ⑯ jarra
- ⑰ anillo sellante
- ⑱ unidad de la cuchilla

## minipicadora/molinillo (si se incluye)

- ⑲ tapa del molinillo
- ⑳ jarra

## accesorios

**Su procesador de alimentos puede que no incluya todos los accesorios enumerados a continuación. Los accesorios dependen del modelo seleccionado.**

- 21 cuchillas
- 22 accesorio para masa
- 23 batidora metálica engranada con dos batidores
- 24 cubierta para mezclas abundantes
- 25 disco para hacer rodajas gruesas/triturados gruesos
- 26 disco para hacer rodajas finas/triturados finos
- 27 disco para hacer trocitos finos (al estilo Juliana) (si se incluye)
- 28 disco rallador (si se incluye)
- 29 exprimidor de cítricos engranado (si se incluye)
- 30 mini bol procesador (si se incluye)
- 31 exprimidor centrífugo (si se incluye)
- 32 dispositivo de carrusel de accesorios KENSTORE™

## para utilizar el robot de cocina

- 1 Acople el eje desmontable sobre la unidad de potencia ❶.
- 2 Encaje el bol. Coloque el mango hacia atrás y gírelo en el sentido de las agujas del reloj hasta que se acople en su lugar ❷.
- 3 Coloque el accesorio elegido sobre el eje de transmisión.
  - Ajuste bien el bol y los accesorios en la máquina antes de añadir cualquier ingrediente.
- 4 Coloque la tapa ❸ asegurándose de que la parte superior del eje de transmisión encaja en el centro de la tapa.
  - **No utilice la tapa para hacer funcionar el robot de cocina; utilice siempre el control de velocidad de encendido/apagado.**
- 5 Enchufe el aparato y se iluminará la luz de encendido. Encienda el aparato y seleccione una velocidad.
  - **El robot de cocina no funcionará si la tapa no se ajusta correctamente.**
  - Use el botón pulse (P) para que el aparato funcione de forma intermitente. El botón pulse funcionará mientras el botón se mantenga en su sitio.
- 6 Siga el procedimiento anterior en sentido inverso para retirar la tapa, los accesorios y el bol.
  - **Desenchufe siempre el aparato antes de retirar la tapa.**
  - importante**
  - El robot de cocina no es apto para moler granos de café ni para convertir azúcar granulado en azúcar extrafino.
  - Si añade esencia de almendra o aromatizantes a las mezclas, evite el contacto con el plástico ya que podrían quedar manchas permanentes.

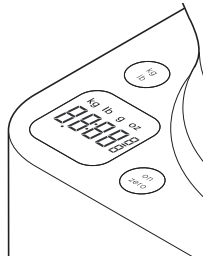
## elección de una velocidad para todas las funciones

| Herramienta/accesorio                            | Función  | Velocidad                            | Capacidades máximas                                       |
|--|--|--------------------------------------|---|
| Cuchillas  | Preparado para tartas de un paso<br>Hojaldre - mezclar mantequilla con harina<br>Añadir agua para mezclar los ingredientes del hojaldre<br>Trocear/hacer puré/hacer paté | Min – Max<br>5 – Max<br>1 – 5<br>Max | 1,5 kg de peso total<br>340 g de harina<br>600 g de carne |
| Cuchillas con cubierta para mezclas abundantes   | Sopas – empezar con una velocidad lenta y aumentar hasta Max   | Min – Max                            | 1,5 litros  |
| Batidora   | Claras de huevo<br>Huevo y azúcar para bizcochos sin mantequilla<br>Crema  | Max<br>Max<br>5 – Max                | 6 claras de huevo<br>500 ml                               |
| Accesorio para masa                              | Mezclas con levadura   | Max                                  | 600 g   |
| Discos – para hacer rodajas/triturados/troceados | Alimentos duros como zanahorias o queso duro.<br>Alimentos más blandos como pepinos o tomates  | 5 – Max<br>Min – 5                   |   |
| Disco rallador                                   | Queso parmesano, patatas para hacer bolitas de patata alemanas.  | Max                                  |   |
| Exprimidor de cítricos                           | Frutas cítricas  | 1                                    |   |
| Mini bol y cuchillo                              | Todos los procesados   | Max                                  | 200 g   |
| Licuada  | Todos los procesados   | Max                                  | 1,5 litros  |
| Minipicadora/molinillo                           | Todos los procesados   | Max                                  |   |
| Exprimidor centrífugo                            | Frutas y verduras  | Max                                  | 500 g   |

## función de pesaje

Su procesador de alimentos está equipado con una función de pesaje para poder pesar los ingredientes directamente en el bol o la jarra de la licuadora.

- La capacidad máxima es de 3 Kg. Este es el peso total de todos los ingredientes más el peso del bol o la jarra.



## para usar la función de pesaje

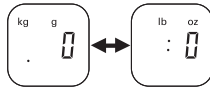
- 1 Instale primero el eje de accionamiento, el bol y el accesorio o la jarra licuadora en la unidad del motor antes de añadir los ingredientes.

- 2 Enchufe – la pantalla permanecerá en blanco.



- 3 Presione el botón ON/ZERO una vez y la pantalla se encenderá.

- 4 Presione el botón (kg/lb) para seleccionar los gramos o las onzas. La pantalla tomará por defecto el ajuste kg/g al conectarla por primera vez.



- La unidad pesa en incrementos de 2 g, y se recomienda realizar las mediciones en cucharadita/cucharada sobera para pesar cantidades pequeñas.

- 5 Compruebe que en la pantalla aparece '0', de lo contrario, póngala a cero presionando el botón ON/ZERO. Entonces, pese los ingredientes necesarios directamente en el bol o la jarra. Después de que se visualice el peso, presione el botón ON/ZERO y la pantalla volverá a '0'. Añada los ingredientes siguientes y se visualizará ese peso. Repita la operación hasta que todos los ingredientes estén pesados.

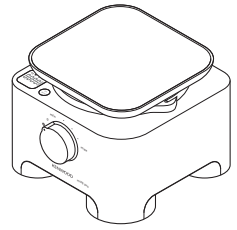
- Si la pantalla no se pone a cero y los ingredientes o el bol/accesorio/tapa se quitan, la pantalla mostrará [ - - - ] para representar una lectura negativa. **Para poner a cero, presione el botón ON/ZERO una vez.**

- 6 Añada la tapa y seleccione una velocidad para hacer funcionar el procesador.

- Durante el funcionamiento, la pantalla se congelará [ - - - ] hasta que el control de velocidad vuelva a la posición off (apagado).
- Después de procesar, el último peso se visualizará en la pantalla cuando el control de velocidad regrese a la posición off (apagado). Nota: El peso de la tapa se incluirá si la pantalla no se pone a cero antes de conectar.
- El peso de cualquier ingrediente adicional que se agregue al tubo de entrada de alimentos mientras el procesador esté en funcionamiento no aparecerá en la pantalla.

## 13 bandeja de pesaje

Se facilita una bandeja de pesaje desmontable para pesar ingredientes sin usar el bol o licuadora. Para usarla, coloque la bandeja encima del bloque motor y gírela en el sentido de las agujas del reloj para que quede bien sujeta.



Luego siga los pasos 2 a 5 indicados en "para usar la función de pesaje"

Para retirar la bandeja, gírela en sentido contrario a las agujas del reloj y quítela.

### desconexión automática

- La pantalla se apagará automáticamente si se visualiza el mismo peso después de 5 minutos.
- La pantalla de visualización se puede apagar manualmente manteniendo pulsado el botón ON/ZERO durante unos segundos.

### importante

- No sobrecargue el aparato excediendo la capacidad máxima de 3Kg.
- No someta el bloque motor a una fuerza excesiva ya que se puede dañar el sensor de peso.
- Coloque siempre el procesador sobre una superficie plana y seca antes de pesar los ingredientes.
- No mueva el bloque motor durante la función de pesaje.

## uso de la licuadora

- 1 Acople el aro de sellado 17 a la unidad de cuchillas 18, asegurándose de que la fijación esté colocada de forma correcta.

### Se producirán derrames si la fijación está dañada o no se ha colocado correctamente.

- 2 Enrosque la jarra en la unidad de cuchillas.
- 3 Introduzca los ingredientes en la jarra.
- 4 Acople la tapa al vaso y empuje hacia abajo para que quede ajustada 4. Acople el tapón de llenado.
- 5 Ponga la licuadora en la unidad de potencia y gírela para fijarla 5.
- 6 Seleccione una velocidad o use el botón pulse.

### importante

- **RIESGO DE ESCALDARSE:** Deje que los ingredientes calientes se enfríen hasta que alcancen la temperatura ambiente antes de mezclarlos.
- Para garantizar que la licuadora tenga una larga vida útil, nunca la tenga en funcionamiento durante más de 60 segundos. Apáguela tan pronto como haya logrado la consistencia adecuada.
- No procese especias, ya que podrían dañar el plástico.
- El aparato no funciona si la licuadora está ajustada de forma incorrecta.
- No ponga ingredientes secos en la licuadora antes de encenderla. Si es preciso, córtelos en trozos; quite el tapón de llenado y después, con el aparato en funcionamiento, introdúzcalos de uno en uno.
- No use la licuadora como recipiente de almacenamiento. Manténgala vacía antes y después del uso.
- Nunca haga mezclas de más de 1,5 litros, a excepción de líquidos espumosos como batidos de leche.

### consejos

- Al hacer mayonesa, añada todos los ingredientes excepto el aceite en la licuadora. Retire el tapón de llenado. A continuación, con el aparato en marcha, vierta el aceite lentamente a través del orificio de la tapa.
- Es posible que tenga que limpiar las paredes del bol con mezclas espesas, por ej.: patés y salsas. Si el procesamiento resulta difícil, añada más líquido.
- Cuando pique hielo, utilice el botón pulse de forma intermitente.

### para usar la minipicadora/molinillo (si se incluye)

Use la minipicadora/molinillo para moler hierbas aromáticas, frutos secos o granos de café.

- 1 Introduzca los ingredientes en el jarra, sin llenarlo más de la mitad.
- 2 Coloque el aro de sellado 17 en la unidad de cuchillas 18.
- 3 Gire la unidad de cuchillas al revés e introdúzcala en el tarro, con las cuchillas hacia abajo.
- 4 Enrosque la unidad de cuchillas en el tarro, apretándola con las manos.
- 5 Coloque la minipicadora/molinillo en la unidad de potencia y gire para que quede ajustada 6.
- 6 Ponga el aparato a la velocidad máxima o utilice el mando de impulsos.

### seguridad

- Nunca acople la unidad de cuchillas al aparato sin estar la jarra puesta.
- Nunca desenrosque la jarra mientras la minipicadora/molinillo esté acoplada al aparato.
- No toque las cuchillas afiladas. Mantenga la unidad de cuchillas fuera del alcance de los niños.
- Nunca quite la minipicadora/molinillo hasta que las cuchillas se hayan detenido completamente.

### importante

- Para garantizar una vida larga a su minipicadora/molinillo, nunca la haga funcionar más de 30 segundos seguidos. Desenchúfela tan pronto como consiga la consistencia adecuada.
- No procese especias ya que pueden dañar el plástico.
- El aparato no funcionará si la minipicadora/molinillo no se ajusta correctamente.
- Utilícelo exclusivamente para ingredientes secos.

### consejos

- Las hierbas se muelen mejor cuando están limpias y secas.

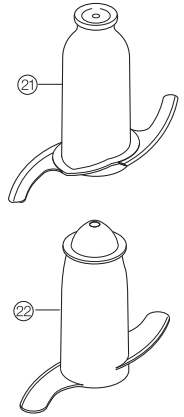
## uso de los accesorios

### 21 cuchilla de corte/ 22 herramienta para amasar

La cuchilla de corte es el accesorio más versátil de todos. La textura obtenida depende del tiempo de elaboración. Para obtener texturas más gruesas, utilice el pulsador de control.

Utilice la cuchilla de corte para elaborar masas para tartas y pasteles, picar carne cruda y cocinada, verduras, frutos secos, patés, purés, salsas, hacer masa quebrada y rallar galletas y pan. También puede utilizarla para hacer masas con levadura si el aparato que ha adquirido carece de la herramienta para amasar.

Para masas con levadura utilice la herramienta para amasar.



### consejos

#### cuchilla

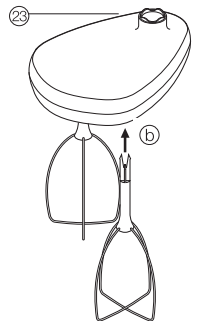
- Antes de procesar alimentos como carne, pan o verduras, córtelos en cubos de 2 cm aproximadamente.
- Corte las galletas en trozos e introdúzcalos por el tubo de entrada mientras la máquina esté en marcha.
- Para hacer masa quebrada, utilice manteca recién sacada de la nevera y cortada en cubos de 2 cm.
- Tenga cuidado de no exceder el tiempo de proceso.

#### herramienta para amasar

- Coloque los ingredientes secos en el bol y añada líquido por el tubo de entrada con el aparato en funcionamiento. Procese los ingredientes hasta obtener una bola de masa elástica y suave; el proceso suele tardar de 60 a 90 segundos.
- El reamasado o la forma deben hacerse a mano solamente. No es aconsejable reamasar o dar forma en el bol, ya que esta operación podría afectar a la estabilidad del aparato.

### 23 batidor doble

Utilícelo para alimentos ligeros como claras de huevo, nata, leche evaporada, o para montar claras con azúcar para suflés o merengues. Las mezclas más pesadas, como las que llevan manteca y harina, podrían dañar el accesorio.



## uso del batidor

- 1 Acople el eje de transmisión y el bol en el bloque motor.
- 2 Inserte cada varilla hasta el fondo en el cabezal b.
- 3 Ajuste el batidor girándolo con cuidado hasta que encaje en el eje de transmisión.
- 4 Añada los ingredientes.
- 5 Ajuste la tapa; el extremo del eje debe quedar en el centro de la tapa.
- 6 Encienda el aparato.

### importante

- La batidora no es adecuada para hacer tartas de un paso ni para batir mantequilla y azúcar, ya que estas mezclas podrían estropearla. Utilice siempre las cuchillas para hacer tartas.

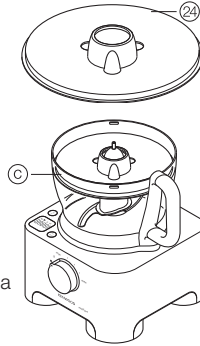
### consejos

- Para obtener los mejores resultados, los huevos deben estar a temperatura ambiente.
- Antes de utilizar el bol y las varillas asegúrese de que están limpios y sin restos de grasa.

## 24 cubierta de mezclado máximo

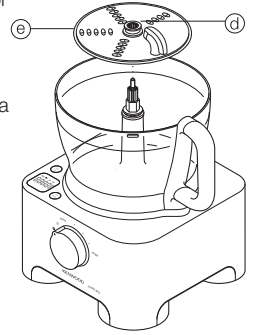
Para mezclar líquidos, utilice la cubierta de mezclado máximo junto con la cuchilla. Esto le permitirá incrementar la capacidad de proceso de líquidos de 1 litro a 1,5 litros y mejorará el rendimiento de corte de la cuchilla.

- 1 Acople el eje de transmisión y el bol en el bloque motor.
- 2 Ajuste la cuchilla.
- 3 Añada los ingredientes.
- 4 Ajuste la cubierta en la parte superior de la cuchilla asegurándose de que encaja correctamente en el borde interior del bol (c). **No haga presión sobre la cubierta, agárrela por la parte central.**
- 5 Encaje la cubierta y encienda el aparato.



## para utilizar los discos de corte

- 1 Coloque el eje de transmisión y el bol en el bloque motor.
- 2 Sujétándolo por la parte central (d), coloque el disco en el eje de transmisión con el lado apropiado en la parte superior (e).
- 3 Ajuste la tapa.
- 4 Elija el tubo de entrada adecuado al tamaño de los alimentos. El embudidor contiene un tubo de entrada más pequeño para procesar los elementos de uno en uno o para ingredientes pequeños. Para usar el tubo de entrada pequeño, introduzca primero el embudidor grande en el tubo de entrada. Para usar el tubo de entrada grande, utilice ambos embudidores a la vez.
- 5 Coloque los alimentos en el tubo de entrada.
- 6 Encienda el aparato y empuje cada trozo firmemente con el embudidor; **nunca meta los dedos en el tubo de entrada.**



## discos rebanadores/troceadores

### discos rebanadores/troceadores reversibles: grueso (25), fino (26)

Utilice el lado del troceador para trocear quesos, zanahorias, patatas y alimentos de textura similar.

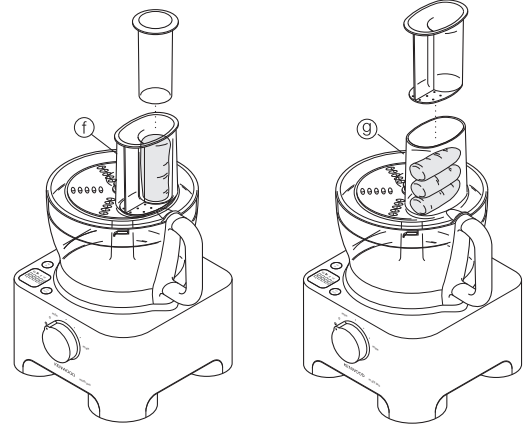
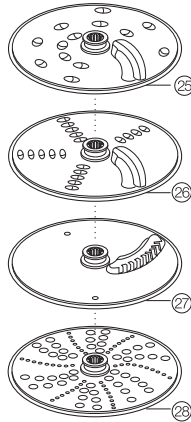
Utilice el lado del rebanador para cortar quesos, zanahorias, patatas, coles, pepinos, calabacines, remolachas y cebollas.

### disco picador fino (estilo juliana) (27) (si se incluye)

Utilícelo para cortar: patatas a estilo juliana o fritas a la francesa; otros alimentos consistentes (por ejemplo, zanahorias, nabos, calabacines, pepinos) para ensaladas, guarniciones, guisos y fritos menudos.

### disco rallador (28) (si se incluye)

Ralla queso parmesano y patatas para bolas de patata a la alemana.



### consejos

- Utilice productos frescos
- No corte la comida en trozos demasiado pequeños. Llene el tubo de entrada casi hasta arriba. Así evitará que la comida se deslice hacia los lados al procesarla. De forma alternativa, utilice el tubo de entrada pequeño.
- Al utilizar el disco picador, coloque los ingredientes en sentido horizontal.
- Al rebanar o trocear: coloque los alimentos en sentido vertical (f), así obtendrá rebanadas y cortes más cortos que si los dispone horizontalmente (g).
- Después de utilizar una cuchilla de corte, siempre quedarán pequeñas cantidades de desperdicios en el disco o en el bol.

## seguridad

- **No retire nunca la tapa hasta que los discos de corte se hayan parado completamente.**
- **Maneje los discos de corte con mucho cuidado; están muy afilados.**



## 29 exprimidor de cítricos (si se incluye)

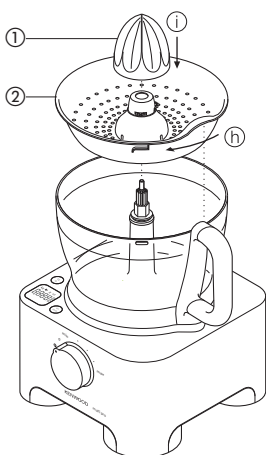
Utilice el exprimidor de cítricos para hacer zumos de frutas cítricas, como naranjas, limones, limas y pomelos.

- ① cono
- ② colador

### para utilizar el exprimidor de cítricos

- 1 Coloque el eje de transmisión y el bol en el bloque motor.
- 2 Acople el colador en el bol; asegúrese de que el asa del colador coincida con el asa del bol ①.
- 3 Coloque el cono sobre el eje de transmisión y gírelo hasta que caiga hasta el fondo ①.
- 4 Corte la fruta en mitades. Encienda el aparato y presione la fruta sobre el cono.

● **El exprimidor de cítricos no funcionará si el colador no está colocado correctamente.**



## 30 mini bol procesador (si se incluye)

Utilice el mini bol procesador para trocear hierbas y procesar ingredientes en cantidades pequeñas, por ej.: carne, cebolla, frutos secos, mayonesa, verduras, purés, salsas y papilla.

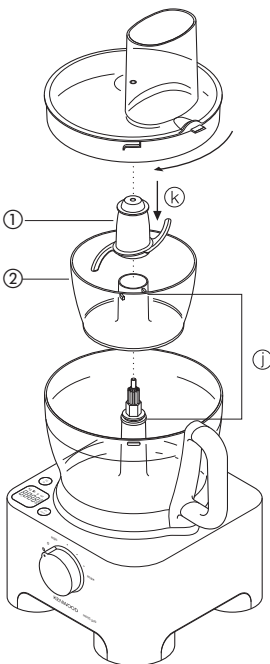
- ① cuchillas del mini procesador
- ② mini bol procesador

### uso del mini bol procesador

- 1 Acople el eje motor y el bol a la unidad de potencia.
- 2 Acople el mini bol procesador asegurándose de que los rebordes del interior de la parte saliente del mini bol queden alineados con las ranuras de la parte saliente principal ①.
- 3 Sitúe las cuchillas sobre el eje motor ②.
- 4 Añada los ingredientes que va a procesar.
- 5 Ponga la tapadera y encienda el aparato.

#### seguridad

- Nunca quite la tapadera hasta que las cuchillas se hayan detenido totalmente.
- Las cuchillas están muy afiladas; manéjelas siempre con cuidado.



#### importante

- No procese especias, ya que podrían dañar el plástico.
- No procese alimentos duros como granos de café, cubitos de hielo o chocolate, ya que podrían dañar las cuchillas.

#### consejos

- Las hierbas se trocean mejor cuando están limpias y secas.
- Añada siempre un poco de líquido al mezclar ingredientes cocinados para hacer papilla.
- Trocee alimentos como carne, pan y verduras en dados de 1-2 cm aproximadamente antes de procesarlos.
- Al mezclar la mayonesa, añada el aceite por el tubo de alimentación.

## 31 exprimidor centrífugo (si se incluye) (use la velocidad máxima)

Utilice el exprimidor centrífugo para hacer zumos de verduras y frutas frescas y en su punto.

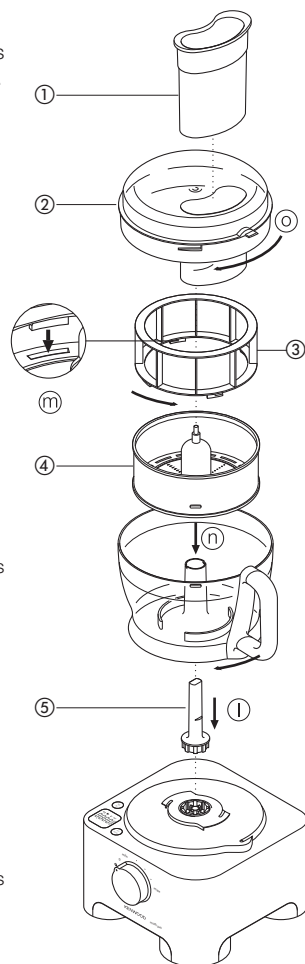
- ① empujador de alimentos
- ② tapadera
- ③ despulpador
- ④ tambor del filtro
- ⑤ eje de transmisión del exprimidor

### cómo utilizar la exprimidor centrífugo

- 1 Coloque el eje motor centrífugo y el bol sobre la unidad de potencia ①.
- 2 Coloque el despulpador dentro del tambor del filtro – asegurándose de que las lengüetas encajan en las ranuras en el fondo del tambor ③.
- 3 Encaje el tambor del filtro ④.

**Su exprimidor no funcionará si la tapa no está bien cerrada.**

- 4 Coloque la tapadera sobre el bol, gírela hasta que se quede fija y el tubo de alimentación quede encima del mango ②.
- 5 Corte los alimentos en trozos pequeños para que entren en el tubo de alimentación.
- 6 Encienda y empuje los alimentos uniformemente con el empujador – **nunca meta los dedos en el tubo de alimentación**. Procese bien los alimentos antes de añadir más.
- Después de añadir la última pieza, deje que el exprimidor funcione durante 20 segundos más para extraer todo el zumo del tambor del filtro.



## seguridad

### ● No utilice el exprimidor de zumos si el filtro está dañado.

- Las cuchillas en la base del tambor del filtro están muy afiladas, tenga cuidado al manejar y limpiar el tambor.
- Utilice únicamente el empujador suministrado. Nunca meta los dedos en el tubo de introducción de alimentos. Desenchufe antes de desbloquear el tubo de introducción de alimentos.
- Antes de quitar la tapa, desconecte y espere a que el filtro se detenga.

### importante

- Si el exprimidor empieza a vibrar, desconecte el aparato y vacíe la pulpa del tambor. (El exprimidor vibra si la pulpa está distribuida de manera poco uniforme).
- La máxima capacidad que se puede procesar de una sola vez es de 500g de fruta o de hortalizas.
- Algunos alimentos muy duros pueden hacer que su exprimidor vaya más despacio o que se pare. Si esto sucede, desconecte y limpie el filtro.
- Desconecte el aparato y limpie el recolector de pulpa regularmente durante el uso.

### consejos

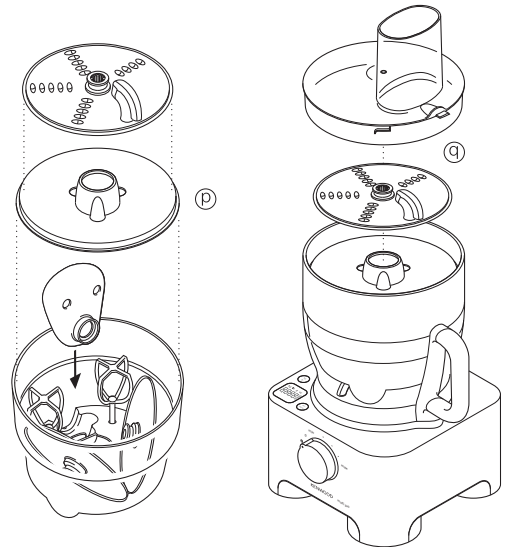
- Antes de procesar los alimentos, quite los huesos y las semillas (p. ej. pimienta, melón, ciruela) y las pieles duras (p. ej. melón, piña). No necesita pelar o quitar el corazón de las manzanas o de las peras.
- Utilice verduras y frutas frescas y en su punto.
- Los zumos de cítricos saldrán amargos y con espuma ya que también se procesó la piel y la médula. Utilice el exprimidor para zumos cítricos en vez de la licuadora.

## ③ dispositivo de carrusel de accesorios KENSTORE™

El procesador de alimentos se suministra con un dispositivo de carrusel de almacenamiento de accesorios que se ajusta al interior del bol.

## uso del dispositivo de carrusel de almacenamiento

- 1 Acople las cuchillas al bol.
- 2 Después, acople la batidora, los discos y la cubierta al dispositivo de carrusel (P).
- 3 Acople el dispositivo de carrusel a las cuchillas y ponga la tapadera del procesador en la parte superior (Q).

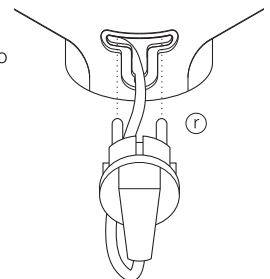


## cuidado y limpieza

- Apague y desconecte siempre el aparato antes de proceder a su limpieza.
- Maneje las cuchillas y los discos de corte con sumo cuidado; están muy afilados.
- Algunos alimentos pueden manchar el plástico. Esto es algo totalmente normal y no causa ningún daño en el plástico ni afecta al sabor de los alimentos. Para eliminar las manchas, frote el plástico con un paño suave mojado en aceite vegetal.

### bloque motor

- Límpielo con un trapo húmedo y séquelo a continuación. Asegúrese de que el área de enclavamiento no muestra restos de comida.
- Recoja el exceso de cable en el lugar de almacenamiento situado en la parte trasera del aparato (R).



### licuadora y minipicadora/molinillo

- 1 Vacíe la jarra/vaso antes de desenroscar de la unidad de cuchillas.
- 2 Lave la jarra/vaso a mano.
- 4 No toque las cuchillas: lávelas con agua y jabón, aclárelas a fondo bajo el grifo. **No sumerja la unidad de la cuchilla en el agua.**
- 5 Póngala boca abajo y déjela secar.

### batidor doble

- Retire las varillas del cabezal tirando de ellas suavemente hacia abajo. Lávelas con agua caliente y jabón.
- Limpie el cabezal con un paño húmedo y séquelo a continuación. **No sumerja el cabezal en agua.**

### otras piezas

- Lávelas a mano y séquelas completamente.
- También las puede lavar en la bandeja superior del lavavajillas. Se recomienda utilizar un programa corto de temperatura baja.

## servicio técnico y atención al cliente

- Si el cable está dañado, por razones de seguridad, debe ser sustituido por KENWOOD o por un técnico autorizado por KENWOOD.
- **Si tiene algún problema con el funcionamiento del procesador, antes de llamar para solicitar ayuda, consulte la guía de solución de problemas.**

Si necesita ayuda sobre:

- el uso del aparato o
- el servicio técnico o reparaciones
- Póngase en contacto con el establecimiento en el que compró el aparato.

## solución de problemas

| Problema  | Causa  | Solución   |
|---|--|--|
| El procesador no funciona   | No hay alimentación/la luz indicadora no se enciende.<br>El bol no está ajustado de forma correcta.<br>La tapadera no está ajustada de forma correcta. | Compruebe si el bol está colocado de forma correcta y si el asa está situada hacia el lateral derecho.<br>La tapadera no está ajustada de forma correcta.<br>Compruebe si el enclavamiento de la tapadera está situado correctamente en la zona del asa.<br><b>El procesador no funciona si el bol y la tapadera no están montados correctamente.</b><br>Si nada de lo anterior funciona, compruebe los fusibles/el disyuntor de su hogar. |
| El procesador se para durante el funcionamiento<br>Tapadera sin cerrar.                       | El procesador está demasiado lleno/se han sobrepasado las capacidades máximas.   | Compruebe las capacidades máximas indicadas en "uso del procesador de alimentos".<br>Compruebe si la tapadera está ajustada de forma correcta.   |
| Mal rendimiento de las herramientas/accesorios  | Consulte los consejos de la sección de "uso del accesorio" correspondiente. Compruebe si los accesorios están montados correctamente.                  |  |
| <b>función de pesaje</b><br>La pantalla se congela en [- - -]<br>Peso cambiado en la pantalla | La cantidad pesada es demasiado pequeña.<br>El boque motor se ha movido durante el funcionamiento.   | Realice las mediciones en cucharadita cantidades muy pequeñas.<br><br>No mueva la unidad durante el uso.<br>Ponga la pantalla a cero antes de pesar los próximos ingredientes.   |

- Diseñado y creado por Kenwood en el Reino Unido.
- Fabricado en China.



### ADVERTENCIAS PARA LA ELIMINACIÓN CORRECTA DEL PRODUCTO SEGÚN ESTABLECE LA DIRECTIVA EUROPEA 2002/96/CE.

Al final de su vida útil, el producto no debe eliminarse junto a los desechos urbanos.

Puede entregarse a centros específicos de recogida diferenciada dispuestos por las administraciones municipales, o a distribuidores que faciliten este servicio. Eliminar por separado un electrodoméstico significa evitar posibles consecuencias negativas para el medio ambiente y la salud derivadas de una eliminación inadecuada, y permite reciclar los materiales que lo componen, obteniendo así un ahorro importante de energía y recursos. Para subrayar la obligación de eliminar por separado los electrodomésticos, en el producto aparece un contenedor de basura móvil tachado.


# Türkçe

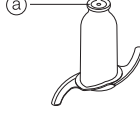
**Kullanım yönergelerini okumaya başlamadan önce ön sayfayı açınız ve açıklayıcı resimlere bakınız**

## Kenwood cihazınızı kullanmadan önce

- Bu talimatları dikkatle okuyun ve gelecekteki kullanımlar için saklayın.
- Tüm ambalajları ve etiketleri çıkartın güvenli.

## emniyet

- Bıçaklar ve diskler çok keskin oldukları için tutarken dikkatli olun. **Bıçağı taşırken ve temizlerken daima  üst tarafındaki keskin olmayan tutma yerinden kavrayın.**
- Mutfak robotunu sapından tutarak kaldırmayın ya da taşımayın; sap kırılabilir ve yaralanmalara neden olabilir.
- Kaseyi boşaltmadan önce daima bıçağı çıkartın.
- Cihaz elektriğe bağlı olduğu sürece ellerinizi ve mutfak aletlerini kaseye ve sıvılaştırıcı kabına sokmayın.
- Aşağıda sayılan işlemleri ancak cihazı kapattıktan ve fişini çektikten sonra yapın:
  - parça takmadan ya da sökmeden önce
  - kullanımdan sonra
  - temizlemeden önce
- Yiyecekleri asla parmaklarınızla gıda girişinden aşağı itmeyin. Bu iş için mutlaka gıda iticisini/lerini kullanın.
- Kapağı kaseden veya mikser veya mini doğrayıcı/öğütücüden güç ünitesinden çıkartmadan önce:-
  - cihazı kapatın;
  - tüm parçaların/bıçakların tamamen durmasını bekleyin;
  - mikser kabını veya mini doğrayıcı/öğütücüyü bıçak ünitesinden döndürerek çıkartmamaya dikkat edin.
- **HAŞLANMA RİSKİ:** Sıcak malzemeler karıştırılmadan önce oda sıcaklığına soğumaya bırakılmalıdır.
- Cihazı çalıştırmak için kapak yerine daima aç/kapat hız ayar düğmesini kullanın.
- **Kilit mekanizmasına aşırı güç uygulanması durumunda cihaz hasar görebilir ve yaralanmalara neden olabilir.**
- Cihaza uygun olmayan parçalar kullanmayın.
- Cihaz çalışırken başından ayrılmayın.
- Arızalı bir cihazı kullanmayın. Cihazı kontrol ettirin ya da onartın. Bknz. Yetkili 'servis'.
- Cihazın motor kısmı, elektrik kablosu ya da elektrik fişinin islanmamasına özen gösterin.
- Elektrik kablosunun masa/tezgah kenarlarından sarkmasını ya da sıcak yüzeylere temas etmesini önleyin.
- Mutfak robotunuzu amaç dışı kullanmayın. Bu cihaz yalnızca evde kullanım için uygundur.
- Belirtilen maksimum miktarları aşmayın.
- Bu cihaz; sorumlu bir kişi tarafından gözetim altında olmayan fiziksel, duysal veya zihinsel engelli kişiler (çocuklar dahil), cihazın kullanılışı hakkında açıklama almamış kişiler ve bilgi veya deneyimi eksik olan kişiler tarafından kullanılmak üzere tasarlanmamıştır.
- Çocuklar cihazla oynamamaları gerektiği konusunda bilgilendirilmelidir.
- Bu cihazı sadece iç mekanlarda kullanım alanının olduğu yerlerde kullanın. Kenwood, cihaz uygunsuz kullanımlara maruz kaldığı ya da bu talimatlara uyulmadığı takdirde hiç bir sorumluluk kabul etmez.
- Robotunuzun/mikserinizin hatalı kullanımı yaralanmaya neden olabilir.



## cihazı elektriğe bağlamadan önce

- Şebeke voltajının, cihazınızın alt yüzeyinde belirtilen voltaj değeri ile aynı olmasına dikkat edin.
- Bu cihaz Elektro Manyetik Uyumluluk ile ilgili AT direktifi 2004/108/AT ve gıda ile temas eden malzemeler hakkındaki AT yönetmeliği no. 1935/2004 - 27/10/2004 ile uyumludur.

## ilk kullanımdan önce

- 1 Plastik bıçak kılıfları dahil tüm ambalaj parçalarını çıkartın. **Dikkatli olun: Bıçaklar çok keskindir.** Bu kılıflar yalnızca üretim ve nakliyat sırasında bıçakları korumak üzere dağılmıştır ve atılabilir.
- 2 Parçaların yıkanması, bknz. 'temizlik'
- 3 Elektrik kablosunun fazla gelen kısmını cihazın içine itin.

## parçalar

### mutfak robotu

- ① motor kısmı
- ② çıkartılabilir tahrik mili
- ③ çanak
- ④ kapak
- ⑤ gıda girişi
- ⑥ gıda iticileri
- ⑦ güvenlik bağlantıları
- ⑧ kablo haznesi
- ⑨ güç ışığı göstergeli hız ayarı
- tartma fonksiyonu**
- ⑩ açma/sıfırlama düğmesi
- ⑪ ekran göstergesi
- ⑫ kg/lb düğmesi
- ⑬ tartma plakası

### sıvılaştırıcı

- ⑭ doldurma kapağı
- ⑮ kapak
- ⑯ sıvı haznesi
- ⑰ conta halkası
- ⑱ bıçak birimi

### mini doğrayıcı/öğütücü (varsa)

- ⑲ öğütücü kapağı
- ⑳ kavanoz

### ek parçalar

**Aşağıda listelenen eklerin hepsi mutfak robotunuzda olmayabilir. Ekler model çeşidine göre değişir.**

- ⑳ kesici bıçak
- ㉑ yoğurma aracı
- ㉒ çift çırpıcı ayaklı metal çırpıcı
- ㉓ maksimum-karıştırma kapağı
- ㉔ ince dilimleme/kalın doğrama diski
- ㉕ ince dilimleme/ince doğrama diski
- ㉖ ince (Julienne stili) cips diski (varsa)
- ㉗ rendeleme diski (varsa)
- ㉘ narenciye sıkacağı (varsa)
- ㉙ mini robot haznesi (varsa)
- ㉚ santrifüjlü katı meyve sıkacağı (varsa)
- ㉛ KENSTORE™ aparat saklama askısı

## mutfak robotunun kullanımı

- 1 Çıkarılabilir mili güç birimine takınız ❶.
  - 2 Şimdi kaseyi yerine takın. Kaseyi, kolu arkada olacak şekilde yerleştirin ve yerine oturana kadar saat yönünde çevirin ❷.
  - 3 Tahrik miline bir ek parçası takın.
    - Kaseye malzeme koymadan önce daima kase ve ek parçayı cihaza takın.
  - 4 Kapağı takın ❸ - Tahrik milinin üst kısmının kapağın ortasına yerleşmesine dikkat edin.
    - **Cihazı çalıştırmak için kapak yerine aç/kapat hız ayar düğmesini kullanın.**
  - 5 Fişi takın; güç lambası yanacaktır. Cihazı çalıştırın ve uygun bir hız seçin.
    - **Cihaz, kase ve kapak tam yerine oturmadığında çalışmaz.**
    - Kısa süreli çalıştırmalar için "pulse" (P) modunu kullanın. "Pulse" modu, kontrol ettiğiniz sürece çalışacaktır.
  - 6 Kapağı, parçaları ve kaseyi sökmek için yukarıdaki işlemi ters sırayla yürütün.
    - **Kapağı sökmeden önce cihazı daima kapatın.**
- önemli**
- Mutfak robotunuz ile kahve öğütülemez ya da toz şekeri pudra şekeri halinde getirilemez.
  - Kase içindeki karışıma badem özü ya da tatlandırıcı eklerken bunların plastik parçalara değmesini önleyin. Aksi halde kalıcı lekeler oluşabilir.

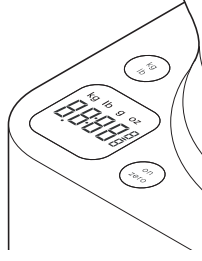
## tüm işlevler için uygun hız seçimi

| Araç/Aparat                              | İşlevi   | Hız                                   | Maksimum kapasite:                                     |
|--|--|---------------------------------------|--|
| Kesici Bıçak                             | Tek Aşamalı Kek Karıştırma<br>Hamur yoğurma – yağlı unla yoğurma<br>Hamur malzemelerini birleştirmek için su ekleme<br>Doğrama/püre yapma/etli börek harcı hazırlama | Min-Maks<br>5 - Maks<br>1 – 5<br>Maks | 1,5 Kg Toplam Ağırlık<br>340 g Un Ağırlığı<br>600 g Et |
| Maksimum-karıştırma kapaklı Kesici Bıçak | Çorbalar – düşük hızla başlayıp Maksimum hıza ulaşın   | Min-Maks                              | 1,5 litre  |
| Çırpıcı                                  | Yumurta beyazı<br>Yağsız mayalı hamur için yumurta ve şeker<br>Krema   | Maks<br>Maks<br>5 - Maks              | 6 adet Yumurta Beyazı<br>500 ml                        |
| Yoğurma aracı                            | Mayalı karışımlar  | Maks                                  | 600 g  |
| Diskler – dilimleme/doğrama/cips         | Havuç, sert peynir gibi sert gıdalar<br>Salatalık, domates gibi daha yumuşak gıdalar   | 5 - Maks<br>Min - 5                   |  |
| Rendeleme diskli                         | Parmesan peyniri, patates köfteli<br>Alman çorbası için patates  | Maks                                  |  |
| Narenciye sıkacağı                       | Narenciye  | 1                                     |  |
| Mini Hazne ve bıçak                      | Tüm gıda hazırlama işlevleri için  | Maks                                  | 200 g  |
| Karıştırıcı                              | Tüm gıda hazırlama işlevleri için  | Maks                                  | 1,5 litre  |
| Mini doğrayıcı/öğütücü                   | Tüm gıda hazırlama işlevleri için  | Maks                                  |  |
| Katı meyve presi                         | Meyve ve sebzeler  | Maks                                  | 500 g  |

## tartma fonksiyonu

fonksiyonu Gıda işleyiciniz dahil tartma fonksiyonuna sahiptir, böylelikle malzemeler doğrudan kap veya sıkma haznesi içine konabilir.

- Maksimum tartma kapasitesi 3Kg'dır. Bu konan tüm malzemeler ile kap veya haznenin toplam ağırlığıdır.



## tartma fonksiyonunu kullanmak için

- 1 İçine herhangi bir şey koymadan önce daima tahrik milini, kabı, eklenti veya su ısıtıcısını güç ünitesinin üzerine yerleştirin.

- 2 Fişi takın – gösterge ekranı halen boş kalacaktır.

- 3 AÇMA/SIFIRLAMA düğmesine bir kez basın; gösterge ekranı aydınlanacaktır.

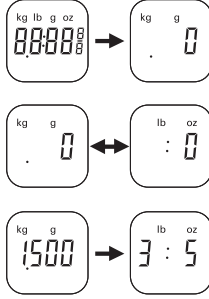
- 4 Gram ve ons arasında seçim yapmak için (kg/lb) düğmesine basın. Gösterge ilk açıldığında varsayılan olarak kg/g ayarlıdır.

- Ünite 2g'lık artışlarla tartar ve küçük miktarların tartılabilmesi için çay kaşığı/yemek kaşığı ölçüleri tavsiye edilmiştir.

- 5 Ekranında '0' gösterilip gösterilmediğini kontrol edin, gösterilmiyorsa AÇMA/SIFIRLAMA düğmesine basın. Ardından dilediğinizi direkt olarak kapta veya haznede tartın. Ağırlık gösterildikten sonra, AÇMA/SIFIRLAMA düğmesine basın; gösterge tekrar '0'a dönecektir. Bir sonraki maddeyi yerleştirin, bu maddenin ağırlığı gösterilecektir. Tüm içerikler tartılana kadar tekrarlayın.

- Gösterge sıfırlanmamışsa ve içerik veya kap/eklenti/kapak çıkartılmışsa, eksi değerini okunduğunu göstermek için göstergede [ - - - ] görüntülenir. **Sıfırlamak için AÇMA/SIFIRLAMA düğmesine bir kez basın.**

- 6 Kapağı yerleştirin ve işlemciyi çalıştırmak için bir hız seçin.
- İşlem yapılırken, hız kontrolü tekrar kapanana kadar gösterge ekranında [ - - - ] gösterilir.
- İşlem sonrasında, hız kontrolü tekrar kapandıktan sonra en son ağırlık göstergede görüntülenir. Not: Sistem açılmadan önce gösterge sıfırlanmamışsa, kapağın ağırlığı da değere dahil olacaktır.
- İşlemci çalışır durumdayken besleme haznesinden eklenen ek içeriklerin ağırlıkları, gösterge ekranında gösterilmeyecektir.



## 13 tartma plakası

Bazı maddeleri, kabı veya sıvılaştırıcıyı kullanmadan tartabilmeniz için çıkartılabilir bir tartma plakası sunulmuştur.

Kullanmak için, plakayı ünitenin üzerine yerleştirin ve saat yönünde çevirerek kilitleyin. Daha sonra 'tartma fonksiyonunu kullanma' altında 2-5 adımları takip edin.

Çıkartmak için plakayı saat yönünün tersinde çevirin ve çıkartın.

### otomatik kapanma

- Kapanma Aynı değer 5 dakikadan uzun bir süre gösterilmişse, gösterge ekranı otomatik olarak kapanacaktır.
- Ekran, ON/ZERO (Açık/Sıfır) düğmesine birkaç saniye basılı tutarak manuel olarak kapatılabilir.

### Önemli

- Maksimum tartma kapasitesi olan 3Kg'ı geçmeyin.
- Güç ünitesini yüksek voltaja maruz bırakmayın, aksit takdirde tartma sensörü hasar alabilir.
- Tartma işlemine başlamadan önce, işlemciyi daima kuru ve düz bir yüzeyin üzerine koyun.
- Tartma işlemi yapılırken güç ünitesini hareket ettirmeyin.

## su ısıtıcısının kullanımı

- 1 Conta halkasını 17 bıçak ünitesine 18 oturtun; contanın doğru yerleştirildiğinden emin olun.

### Contanın hasar görmesi ya da düzgün oturtulmaması durumunda sızıntı olur.

- 2 Sıvı haznesini bıçak ünitesinin üzerine vidalayın.
- 3 Malzemelerinizi sıvı haznesine koyun.
- 4 Kabın kapağını takın ve sabitlemek için bastırın 4. Doldurma kapağını yerleştirin.
- 5 Karıştırıcıyı güç ünitesinin üzerine yerleştirin ve çevirerek kilitleyin 5.
- 6 Uygun bir hız seçin ya da "pulse" kontrolünü kullanın.

### Önemli

- **HAŞLANMA RİSKİ:** Sıcak malzemeler karıştırılmadan önce oda sıcaklığına soğumaya bırakılmalıdır.
- Karıştırıcının ömrünü uzatmak için cihazı asla 60 saniyeden fazla çalıştırmayın. Doğru kıvama ulaşır ulaşmaz cihazı kapatın.
- Robotunuzu baharat hazırlamak için kullanmayın – baharatlar, plastiğe zarar verebilir.
- Karıştırıcı hatalı yerleştirildiği takdirde cihaz çalışmaz.
- Karıştırıcıyı çalıştırmadan önce kuru gıdaları karıştırıcıya koymayın. Gerekirse, küçük parçalara bölün; doldurma başlığını çıkartın; cihaz çalışırken birer birer hazneye atın.
- Karıştırıcıyı depolama haznesi olarak kullanmayın. Kullanımdan önce ve sonra boş olarak saklayın.
- Asla 1 1/2 litreden fazla karışım hazırlamayın – milkshake gibi köpüklü içecekler için bu miktar daha az olmalıdır.

### ipuçları

- Mayonez yaparken mikserin içine yağ hariç bütün malzemeleri koyun. Doldurma kabını çıkarın. Sonra, cihaz çalışırken, yağı kapaktaki delikten yavaşça ekleyin.
- Kıvamlı karışımları, örneğin mayalı hamurlar ve soslar, kazıyarak çıkarmanız gerekebilir. Çıkarması zor oluyorsa, bir miktar daha sıvı ekleyin.
- Buz kırarken, "pulse" modunu kısa aralıklarla kullanın.

## mini doğrayıcınızı/öğütücünüzü kullanmak için (varsa)

Mini doğrayıcı/öğütücüyü baharatları, fındıkları ve kahve çekirdeklerini öğütmek için kullanın.

- 1 Öğüteceğiniz içerikleri kavanoza koyunuz. Kavanozu yalnızca yarısına kadar doldurunuz.
- 2 Conta halkasını ⑰ bıçak birimine takınız ⑱.
- 3 Bıçak birimini ters çeviriniz. Bıçaklar aşağı gelecek biçimde bıçak birimini kavanoza doğru indiriniz.
- 4 Bıçak birimini tamamen yerine sıkıca oturuncaya kadar çevirerek kavanoza takınız.
- 5 Mini doğrayıcı/öğütücüyü güç ünitesi üzerine yerleştirin ve kilitlemek için çevirin ⑥.
- 6 Azami hızı ya da titreşim kumandasını kullanınız.

### emniyet

- Sürahiye takmadan önce bıçak birimini hiçbir zaman öğütücüye takmayınız.
- Makineye mini doğrayıcı/öğütücü takılıyken kaseyi asla döndürerek çıkartmayın.
- Bıçaklar çok keskindir. Bu yüzden bıçaklara elinizle dokunmayınız ve çocukları denetim altında tutunuz.
- Bıçaklar tamamen durana kadar mini doğrayıcı/öğütücüyü asla çıkartmayın.

### önemli uyarılar

- Mini doğrayıcı/öğütücünüzün daha uzun ömürlü olması için asla 30 saniyeden uzun çalıştırmayın. Doğru kıvama erişir erişmez kapatın.
- Aygıtın plastik kısmına zarar verebileceği için baharatları öğütücüde öğütmeyiniz.
- Mini doğrayıcı/öğütücü yanlış yerleştirildiğinde makine çalışmayacaktır.
- Değirmeni yalnızca kuru içerikleri öğütmek için kullanınız.

### faydalı bilgiler

- Otları kıymadan önce yıkayınız ve kurulayınız.

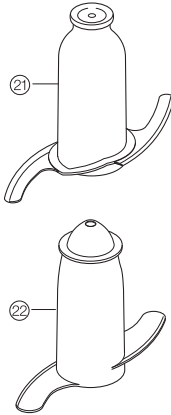
## ek parçaların kullanımı

### ⑰ bıçak/ ⑱ hamur aleti

Bıçak, ek parçalar arasında en geniş kullanım alanı olmaktadır. Cihazın çalışma süresi işlenen gıdanın kıvamını belirler. Daha koyu kıvamlar için çalışma düğmesini kullanın.

Bıçağı, kek ve hamur işleri hazırlamak, çiğ ya da pişmiş et, sebze, fındık, pate ve katık doğramak, çorba malzemesi ezme ve katı kraker/ekmek öğütmek için kullanın. Bıçağı ayrıca hamur yoğurucu yerine mayalı hamur karışımları için kullanabilirsiniz.

Mayalı hamur karışımları için hamur yoğurucusunu kullanın.



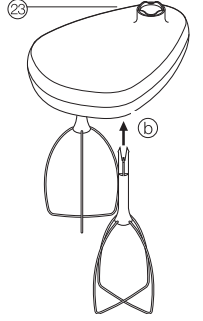
### öneriler

#### bıçak

- Et, ekme, sebze gibi gıdaları işlemeye önce 2 cm'lik küpler halinde kesin.
  - Bisküviler parçalar halinde kırılarak cihaz çalışırken gıda girişinden aşağı atılmalıdır.
  - Unlu gıdalar hazırlarken doğrudan buz dolabından aldığınız yağı 2 cm'lik küpler halinde keserek kullanın.
  - İşlemi gereğinden fazla uzatmayın.
- #### hamur yoğurucusu
- Kuru malzemeleri kaseye yerleştirin ve cihaz çalışırken sıvıyı gıda girişinden dökün. Cihazı, düz ve elastik kıvamlı bir hamur topu oluşana kadar 60 - 90 saniye çalıştırın.
  - Hamuru yeniden yoğurmak için kaseyi kullanmayın. Aksi halde mutfak robotu kararsız hale gelebilir.

### ⑳ ikili çırpıcı

Bu aleti, yalnızca örn. yumurta akı, krema, süt gibi hafif karışımlar ve yağsız gevrek hamuru için yumurta ve şeker çırpılmak üzere kullanın. Yağ ve un gibi ağır karışımlar bu alete zarar verir.



## çırpıcının kullanımı

- 1 Tahrik mili ve kaseyi motor kısmına takın.
- 2 Çırpıcıları, tahrik milinin başlığına takın ㉑.
- 3 Çırpıcı takımını dikkatli bir şekilde çevirerek tahrik miline oturtun.
- 4 Malzemeleri ekleyin.
- 5 Kapağı takın - mil ucunun kapağına ortasına oturmasına dikkat edin.
- 6 Cihazı çalıştırın.

### önemli

- Tek aşamalı kek ya da yağ ve şekerle krema hazırlamak için çırpıcı kullanmak uygun değildir; bu tür karışımlar çırpıcıya zarar verebilir. Kek hazırlamak için daima kesici bıçağı kullanın.

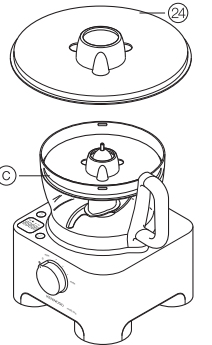
### öneriler

- En iyi sonucu elde etmek için oda sıcaklığında yumurta kullanın.
- Kase ve çırpıcının, çırpma işleminden önce temiz ve yağsız olmasına dikkat edin.

### ㉒ büyük karıştırma kapağı

Sıvı karıştırırken, bıçaklı büyük karıştırma kapağını kullanın. Bu kapak ile cihazın sıvı hacim kapasitesi 1 litreye'den 1,5 litreye çıkartılabilir, sızma önlenir ve bıçağın doğrama başarımı artırılabilir.

- 1 Tahrik mili ve kaseyi motor kısmına takın.
- 2 Bıçağı takın.
- 3 İşlenecek gıdaları ekleyin.
- 4 Kapağı, bıçağın üzerine yerleştirin ve kaseyi iç kenarındaki çıkıntıya ㉓ oturmasına dikkat edin. **Kapağa yukarıdan baskı uygulamayın ve ortadaki tutma yerinden kavrayın.**
- 5 Küçük kapağı takip cihazı çalıştırın.



## dilimleme/rendeleme diskleri

### Çift taraflı dilimleme/rendeleme diskleri - kalın 25, ince 26

Diskin rendeleme tarafını peynir, havuç, patates ve benzer kıvamlı gıdalar için kullanın.

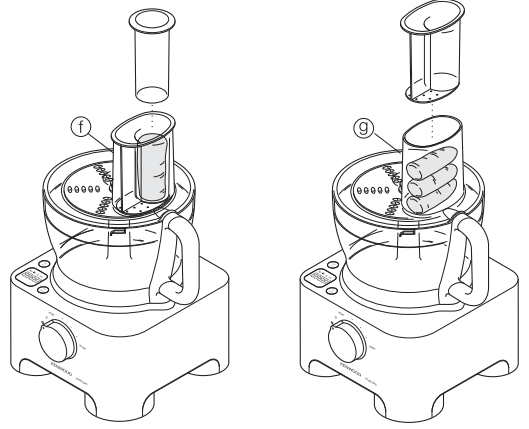
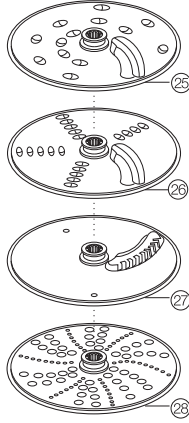
Diskin kesme tarafını peynir, havuç, patates, lahana, salatalık, korjet, şalgam ve soğan için kullanın.

### ince (Julienne tarzı) doğrama diski u 27 (varsa)

Kullanım alanı: Julienne tarzı patates kızartması için patates; Salata, garnitür, casserole ve kızartmalar (örn. havuç, swede, korjet, salatalık) katı malzemeler kesmek için.

### Çok ince rendeleme diski 28 (varsa)

Patates graten için Parmesan peyniri ve patates rendelemek için.

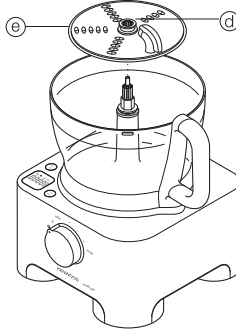


## emniyet

- Kapağı, kesme diski tamamen durmadan kesinlikle açmayın.
- Çok keskin olan kesme disklerini dikkatle taşıyın

## kesme bıçaklarının kullanımı

- 1 Tahrik milini ve kaseyi motor kısmına takın.
- 2 Diski, ortasındaki tutma yerinden kavrayarak doğru yüzü yukarıya bakacak şekilde ④ tahrik miline takın ⑤.
- 3 Şimdi kapağı takın.
- 4 Kullanmak istediğiniz gıda girişini seçin. Gıda iticisi, özel ya da ince malzemeler için küçük bir gıda girişi içerir. Küçük gıda girişini kullanmak için önce büyük gıda iticisini gıda girişi içine yerleştirin. Büyük gıda girişini kullanmak için her iki iticiyi birlikte kullanın.
- 5 Gıdayı, gıda girişine yerleştirin.
- 6 Cihazı çalıştırın ve gıdaları düzenli bir şekilde itin - kesinlikle parmaklarınızı gıda girişinden içeri sokmayın.



### öneriler

- taze gıdalar kullanın
- Gıdaları çok küçük kesmeyin. Gıdaları, büyük gıda girişinde enlemesine doldurun. Bu şekilde gıdalar işlenirken yanlardan kaymaz. Bunun yerine küçük gıda girişini de kullanabilirsiniz.
- Doğrama diskini kullanırken gıdaları yatay yerleştirin.
- Dilimlerken ya da rendelerken: Dikey olarak yerleştirilen gıdalar ① yatay olarak yerleştirilen gıdalardan daha kısa kesilir ②.
- İşlemden sonra tabak ya da kasede daima küçük miktarda artık malzeme kalır.

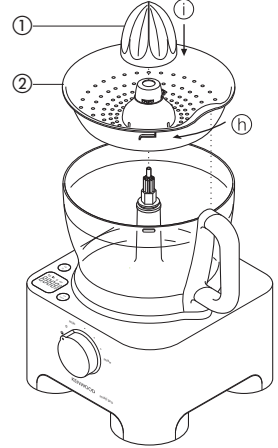
### 29 narenciye sıkacağı (varsa)

Narenciye sıkacağını, turuncgillerin (örn. portakal, limon ve greyfrut) suyunu sıkmak için kullanılır.

- ① koni
- ② süzgeç

## narenciye sıkacağı'nın kullanımı

- 1 Tahrik mili ve kaseyi motor kısmına takın.
  - 2 Süzgeci kaseye yerleştirin - Süzgeç kolunun, kase kolunun hemen üstüne oturmasına dikkat ediniz ③.
  - 3 Koni, tahrik milinin üstüne yerleştirin ve oturana kadar çevirin ④.
  - 4 Meyveyi iki parçaya kesin. Şimdi cihazı çalıştırıp meyveyi koni üzerine bastırın.
- Narenciye sıkacağı, süzgeç tam olarak yerine oturmadan çalışmayacaktır.

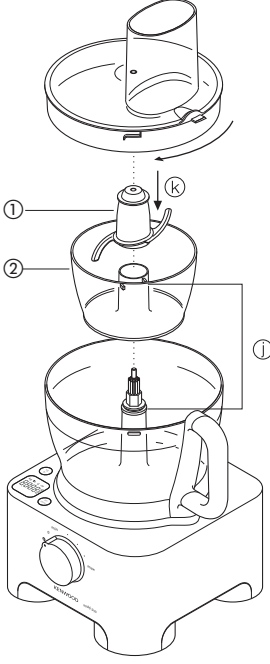




### 30 mini robot haznesi (varsa)

Mini robot haznesini kullanarak yeşillikleri doğrayın ve küçük miktarlarda malzemeler hazırlayın; örneğin, et, soğan, kuruyemiş, mayonez, sebze, püre, sos ve bebek maması.

- 1 mini robot kesici bıçağı
- 2 mini robot haznesi



### mini robot haznesinin kullanımı

- 1 Döndürme gövdesini ve hazneyi güç ünitesine oturtun.
- 2 Mini haznenin bacasının iç tarafındaki yivleri ana bacadaki yuvalara hizalayarak mini robot haznesini yerleştirin 1.
- 3 Kesici bıçağı, döndürme gövdesine yerleştirin k.
- 4 Hazırlanacak malzemeyi ekleyin.
- 5 Kapağı yerleştirin ve cihazı çalıştırın.

#### güvenlik

- Kesici bıçaklar tamamen durmadan asla kapağı çıkarmayın.
- Kesici bıçaklar çok keskindir – daima dikkatle tutun.

#### önemli

- Robotunuzu baharat hazırlamak için kullanmayın – baharatlar, plastiğe zarar verebilir.
- Kahve taneleri, buz parçaları ya da çikolata gibi sert gıdaları robotunuzda kullanmayın – bu tür gıdalar bıçaklara zarar verebilir.

#### ipuçları

- Yeşillikler en iyi temiz ve kuru iken doğranır.
- Bebek maması hazırlamak için, pişmiş malzemeleri karıştırırken daima az miktarda sıvı ekleyin.
- Et, ekme, sebze gibi gıdaları robotunuzda hazırlamadan önce yaklaşık 1-2 cm büyüklüğünde küp şeklinde kesin.
- Mayonez hazırlarken, yağı yiyecek ekleme borusundan ilave edin.

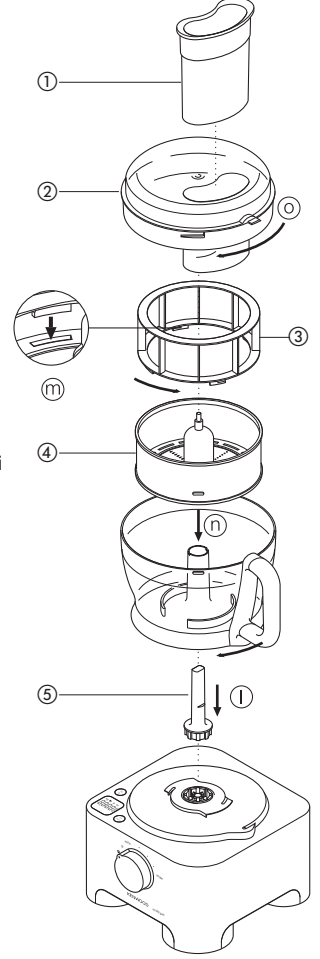
### 31 katı meyve presi (varsa) (maks. hızda kullanın)

Katı meyve presi suyu sıkamak için kullanınız.

- 1 itici
- 2 kapak
- 3 posa temizleyici filtre tamburun içine yerleştirin
- 4 filtre tamburu
- 5 meyve suyu presi tahrik mili

### katı meyve presi kullanımı

- 1 Devinin milini santrifüjli ve çanağı güç birimine takınız 1.
- 2 Posa temizleyici filtre tamburun içine yerleştirin – tırnakların tamburun altındaki yuvalara oturduğundan emin olun m.
- 3 Filtre tamburunu takın n.
- Kapak kilitlemediğinde meyve suyu presi çalışmaz.**
- 4 Ek parçayı yerine iyice oturuncaya kadar çanağa takınız ve besleme borusunu sapın üzerine yerleştiriniz o.
- 5 Öğüteceğiniz yiyecekleri besleme borusuna sıkacak biçimde küçük parçalar halinde kesin.
- 6 Aygıtı çalıştırınız ve yiyecekleri iticiyle düzenli olarak besleme borusuna itiniz. **Parmaklarınızı hiçbir biçimde besleme borusuna sokmayınız.** Daha fazla yiyecek itmeden önce ilk attığınız yiyeceklerin iyice öğütüldüğünden emin olunuz.
- Son parçayı ittirdikten sonra, meyve presinin tamburda kalan tüm suyu çıkartması için 20 saniye daha çalıştırın.



### güvenlik önlemleri

- **Filtresi hasarlıysa meyve sıkacağı kullanmayınız.**
- Filtre tamburunun tabanındaki kesici bıçaklar son derece keskindir, tamburu kullanırken ve temizlerken son derece dikkatli olun.
- Yalnızca aygıtla birlikte verilen yiyecek iticiyi kullanınız. Parmaklarınızı hiçbir zaman besleme borusuna sokmayınız. Besleme borusunu temizlemeden önce aygıtın fişini prizden çekiniz.
- Kapağı kaldırmadan önce aygıtı durdurunuz ve filtrenin durmasını bekleyiniz.

#### önemli bilgiler

- Eğer meyve suyu presi titremeye başlarsa, kapatın ve tamburdaki posayı boşaltın. (Eğer posa dengesi dağılırsa titreme başlar)
- Bir seferde işenebilecek maksimum kapasite 500g meyve veya sebzedir.
- Bazı çok sert gıdalar yavaşlama veya durmaya sebep olabilir. Eğer bu olursa kapatın ve filtreyi temizleyin.
- Kullanım sırasını kapatıp posa toplayıcıyı düzenli olarak temizleyin.

### faydalı bilgiler

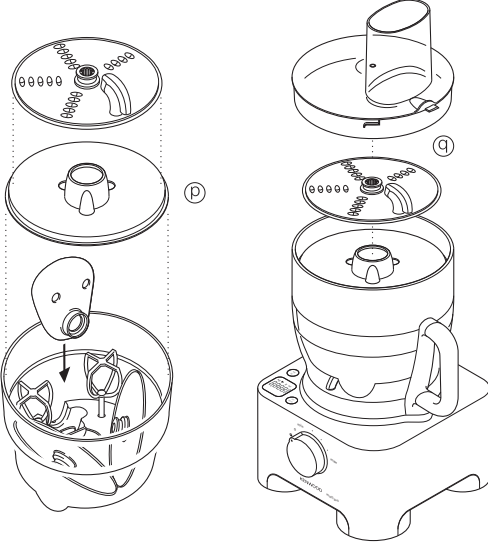
- Meyve ve sebzeleri sıkmadan önce çekirdeklerini (örn. biber, kavun, erik vbg.) çıkarınız ve sert kabuklu olanların (örn. kavun, ananas vbg.) kabuklarını soyunuz.
- Sert ve taze sebze ve meyve kullanınız.
- Meyve ve sebzelerin kabukları ve sapları da sıklığı için elde edilen sebze ya da meyve suyu acımsı ve köpüklü olabilir. Bu tür meyve ve sebzeler için meyve sıcaklığını kullanınız.

## 32 KENSTORE™ aparat saklama askısı

Mutfak robotunuz, haznenin içine yerleşen bir aparat saklama askısıyla birlikte gelir.

### aparat saklama askısının kullanımı

- 1 Kesici bıçağı hazneye yerleştirin.
- 2 Sonra, çırpıcıyı, diskleri ve maksimum karıştırma kapağını saklama askısına oturtun (P).
- 3 Saklama askısını kesici bıçağa oturtun, en üste robot kapağını yerleştirin (Q).

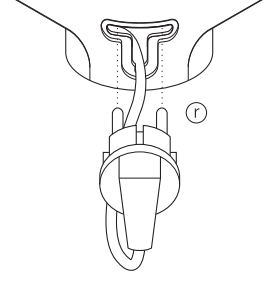


## bakım ve temizlik

- Temizliğe başlamadan önce daima cihazı kapatıp fişini prizden çekin.
- Bıçaklar çok keskindir. Takıp çıkartırken çok dikkatli davranın.
- Bazı gıdalar, plastiğin rengini değiştirecektir. Bu durum normaldir. Plastiğe zarar gelmez ve yiyeceklerinizin tadını etkilemez. Biraz sıvı bitkisel yağ sürülmüş bir bez ile ovarak bu durumu giderebilirsiniz.

### motor kısmı

- Nemli bir bez ile silerek kurutun. Kilit alanında gıda artıkları bulunmamasına dikkat edin.
- Elektrik kablosunun fazla gelen kısmını cihazın arka tarafındaki kablo muhafazasına sarın (R).



### mikser ve mini doğrayıcı/öğütücü

- 1 Çanağı /sürahiye bıçak biriminden çıkarmadan önce temizleyiniz.
  - 2 Çanağı /sürahiye elle yıkayınız.
  - 3 Contaları çıkartıp yıkayın.
  - 4 Çok keskin olan bıçaklara dokunmayın. Bıçakları bir fırça ve sabunu sıcak su ile temizleyin ve akan su ile iyice durulayın.
- Bıçak birimini suya batırmayın.**
- 5 Bıçak birimini ters çevirerek kurumaya bırakın.

### İkili çırpıcı

- Çırpıcıları, hafifçe çekerek tahrik başlığından ayırın ve sabunlu sıcak su ile yıkayın.
- Tahrik başlığını nemli bir bez ile silip kurutun. **Tahrik başlığını suya batırmayın.**

### tüm diğer parçalar

- Elle yıkayıp kurutun.
- Alternatif olarak, bulaşık makinenizin üst rafında da yıkayabilirsiniz. Kısa süreli, düşük yıkama sıcaklığı önerilir.

## servis ve müşteri hizmetleri

- Kablo hasar görmüşse, güvenlik nedeniyle, KENWOOD ya da yetkili bir KENWOOD tamircisi tarafından değiştirilmelidir.
- **Yiyecek işleyicinin çalışmasıyla ilgili herhangi bir sorunla karşılaşırsanız, yardım istemeden önce sorun giderme kılavuzuna bakınız.**

Aşağıdakilerle ilgili yardıma ihtiyacınız olursa:

- cihazınızın kullanımı veya
- servis veya tamir
- Cihazınızı satın aldığınız yerle bağlantı kurun.

- Kenwood tarafından İngiltere'de dizayn edilmiş ve geliştirilmiştir.
- Çin'de üretilmiştir.



## ÜRÜNÜN AT DİREKTİFİ 2002/96/AT İLE UYUMLU OLARAK DOĞRU ŞEKİLDE BERTARAF EDİLMESİ İÇİN ÖNEMLİ BİLGİ.

Kullanım ömrünün sonunda ürün evsel atıklarla birlikte atılmamalıdır.

Ürün yerel yetkililerce belirlenmiş atık toplama merkezine veya bu hizmeti sağlayan bir satıcıya götürülmelidir. Ev aletlerinin ayrı bir şekilde atılması çevre üzerindeki olası negatif etkileri azaltır ve aynı zamanda mümkün olan malzemelerin geri dönüşümünü sağlayarak önemli enerji ve kaynak tasarrufu sağlar. Ev aletlerinin ayrı olarak atılması gerekliliğini hatırlatmak amacıyla üzeri çarpı ile işaretlenmiş çöp kutusu resmi kullanılmıştır.

## sorun giderme kılavuzu

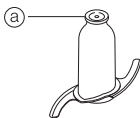
| Sorun   | Nedeni   | Çözümü  |
|---|--|---|
| Mutfak robotu çalışmıyor  | Güç/gösterge lambası yanmamıştır.<br>Hazne düzgün kilitlememiştir.<br><br>Kapak düzgün kilitlememiştir.          | Robotun fişinin takılı olup olmadığını kontrol edin.<br>Haznenin doğru oturtulduğunu ve sapının sağ tarafta olduğunu kontrol edin.<br>Kapak bağlantısının, sap alanına doğru yerleştirildiğini kontrol edin.<br><b>Hazne ve kapak hatalı yerleştirildiğinde robot çalışmaz.</b><br>Yukarıdakilerin hiçbiri çözüm sağlamıyorsa, evinizin sigortasını kontrol edin. |
| Robot çalışma esnasında duruyor   | Robot aşırı yüklenmiştir / maksimum kapasite aşılmıştır.<br>Kapak kilitlememiştir.                               | "Mutfak robotunuzun kullanımı" başlıklı bölümde belirtilen maksimum kapasiteyi kontrol edin.<br>Kapağın düzgün kilitlendiğini kontrol edin.   |
| Araçlar/aparatların performansı yetersiz  | İlgili "aparatin kullanımı" bölümünde verilen ipuçlarına bakın. Aparatların doğru monte edildiğini kontrol edin. |   |
| <b>Tartma fonksiyonu</b><br>ekran göstergesi [- - -] olarak kalıyor<br><br>Gösterge ekranındaki ağırlık değişti | Tartılan miktar fazla küçük.<br><br>İşlem sırasında güç ünitesi hareket ettirildi.                               | Çok küçük miktarlar için çay kaşığı ve yemek kaşığı ölçülerini kullanın.<br><br>Kullanım sırasında üniteyi hareket ettirmeyin<br>Bir sonraki maddeyi tartmadan önce ekranı sıfırlayın.  |

### před použitím tohoto zařízení Kenwood

- Přečtěte si pečlivě pokyny v této příručce a uschovejte ji pro budoucí použití.
- Odstraňte veškerý obalový materiál a nálepky.

## bezpečnostní zásady

- Nože a kotouče jsou velmi ostré, zacházejte s nimi opatrně. **Sekací nůž držte při používání i čištění vždy za držadlo nahore, s ostřím směrem od sebe.**
- Robota nezvedejte ani nepřehánějte za držadlo, které by mohlo prasknout a způsobit zranění.
- Sekací nůž vždy nejdříve vyjměte z pracovní nádoby, teprve pak ji vyprázdněte.
- Do pracovní nádoby a nádoby mixéru nesahejte a nevkládejte náčiní, pokud je přívodní kabel spotřebiče v zásuvce.
- Vypněte a vytáhněte ze zásuvky:
  - před nasazováním nebo snímáním dílů
  - po použití
  - před čištěním
- Potraviny nikdy netlačte do plnicího hrdla prsty. Vždy používejte přiložené pěchovače.
- Před sejmutím víka z nádoby nebo vyjmutím mixéru nebo mini sekáčku/mlýnku z hnací jednotky.
  - spotřebič vypněte;
  - počkejte, až se nasazené doplňky/nože úplně zastaví;
  - dávejte pozor, abyste neodšroubovali nádobku mixéru nebo mini sekáček/mlýnek z nožové jednotky.
- **NEBEZPEČÍ OPAŘENÍ:** Horké ingredience nechte před mixováním vychladnout na pokojovou teplotu.
- K ovládání kuchyňského robota nepoužívejte víko, ale vždy jen vypínač/regulátor otáček.
- **Je-li spojovací mechanismus vystaven nepřiměřené síle, může dojít k poškození spotřebiče a zranění obsluhy.**
- Nepoužívejte příslušenství neschválené výrobcem.
- Nikdy nenechávejte zapnutý spotřebič bez dozoru.
- Poškozený spotřebič nepoužívejte. Dejte jej prohlédnout nebo opravit – viz „servis“.
- Pohonná jednotka, přívodní kabel a zástrčka nesmějí přijít do styku s vodou.
- Nenechávejte přívodní kabel volně viset přes okraj stolu nebo pracovní plochy, nebo se dotýkat horkých ploch.
- Kuchyňský robot používejte pouze v domácnosti k účelům, pro něž je určen.
- Nepřekračujte maximální jmenovité kapacity.
- Toto příslušenství by neměly používat osoby (včetně dětí) trpící fyzickými, smyslovými či psychickými poruchami ani osoby bez náležitých znalostí a zkušeností. Pokud jej chtějí používat, musí být pod dozorem osoby odpovědné za jejich bezpečnost nebo je tato osoba musí poučit o bezpečném používání příslušenství.
- Dohlédněte, aby si děti s přístrojem nehrály.
- Toto zařízení je určeno pouze pro domácí použití. Společnost Kenwood vylučuje veškerou odpovědnost v případě, že zařízení bylo nesprávně používáno nebo pokud nebyly dodrženy tyto pokyny.
- Nesprávné použití vašeho robota/mixéru může vést ke zranění.



### než spotřebič zapojíte do zásuvky

- Zkontrolujte, zda elektrický proud v rozvodu odpovídá údajům uvedeným na spodní straně spotřebiče.
- Tento spotřebič splňuje požadavky směrnice Evropského parlamentu a Rady 2004/108/ES o elektromagnetické kompatibilitě a požadavky nařízení Evropského parlamentu a Rady (ES) 1935/2004 ze dne 27.10.2004 o materiálech a předmětech určených pro styk s potravinami.

### před prvním použitím

- 1 Nože zbavte všech obalů, včetně plastových krytů ostří. **Pozor, nože jsou velmi ostré.** Obalový materiál vyhodte, chrání nože pouze během výroby a přepravy.
- 2 Jednotlivé díly omyjte, viz „čištění“
- 3 Je-li přívodní kabel příliš dlouhý, stočte ho do prostoru v zadní části spotřebiče.

## legenda

### kuchyňský robot

- ① pohonná jednotka
  - ② vyjímatelná hnací hřídel
  - ③ pracovní mísa
  - ④ víko
  - ⑤ plnicí hrdlo
  - ⑥ pěchovače
  - ⑦ bezpečnostní bajonetový uzávěr
  - ⑧ prostor pro přívodní kabel
  - ⑨ ovladač otáček s indikátorem napájení
- vážíci funkce**
- ⑩ tlačítko zapnout/nulování
  - ⑪ displej
  - ⑫ tlačítko kg/lb
  - ⑬ vážící deska

### mixér

- ⑭ uzávěr plnicího otvoru
- ⑮ víko
- ⑯ nádoba
- ⑰ těsnicí kroužek
- ⑱ nástavec mixéru

### mini sekáček/mlýnek (pokud je součástí balení)

- ⑲ víko nádoby na mletí
- ⑳ nádoba

## doplňkové příslušenství

**K vašemu mixéru nemusí být přiloženo veškeré příslušenství uvedené níže. Obsah příslušenství se u jednotlivých modelů liší.**

- ②① kráječ
- ②② hnětací hák
- ②③ šlehač
- ②④ víko strouhacích kotoučů
- ②⑤ hrubý strouhací kotouč
- ②⑥ jemný strouhací kotouč
- ②⑦ jemné strouhací kotouč (typ Julienne) (pokud je součástí balení)
- ②⑧ pasírovací nástavec (pokud je součástí balení)
- ②⑨ lis na citrusové plody (pokud je součástí balení)
- ③① monirobot (pokud je součástí balení)
- ③② odstředivý odšťavňovač (pokud je součástí balení)
- ③③ úložné pouzdro na adaptéry KENSTORE™

## jak používat kuchyňský robot

- 1 Nasaďte vyjímatelnou hřídel na motorovou část ①.
  - 2 Pak nádobu nasaďte. Držadlo nasměrujte dozadu a otočte vpravo, až nádoba zapadne ②.
  - 3 Na hřídel nasaďte zvolené příslušenství.
    - Vždy nejprve nasaďte nádobu a zvolené příslušenství, teprve pak přidávejte přísady.
  - 4 Nasaďte víko ③ - zkontrolujte, zda je horní část hřídele umístěna ve středu víka.
    - **K ovládání kuchyňského robota nepoužívejte víko, ale vždy jen vypínač/regulátor otáček.**
  - 5 Po připojení šňůry do zásuvky se rozsvítí indikátor napájení. Zapněte zařízení a vyberte otáčky.
    - **Jestliže jsou nádoba nebo víko špatně nasazené, robot se nespustí.**
    - Pro přerušované záběry použijte pulzy (P). Zařízení bude pulzovat po dobu, po kterou budete držet ovladač v poloze.
  - 6 Při snímání pracovní nádoby, víka a příslušenství postupujte opačně.
    - **Před sejmutím víka robot vždy vypněte.**
- upozornění**
- Tento kuchyňský robot není vhodný k drcení nebo mletí zrnkové kávy nebo k drcení krystalového cukru na práškový.
  - Přidáváte-li do směsi mandlovou esenci, dbejte na to, aby nepřišla do styku s materiály z plastu. Mohla by na nich zanechat neodstranitelné skvrny.

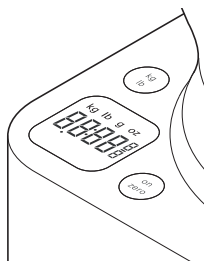
## výběr otáček pro všechny funkce

| Nástroj/adaptér                    | Funkce  | Otáčky                                   | Maximální kapacity  |
|------------------------------------|---|--|---|
| Kráječ                             | Jednorázové míchání těsta<br>Příprava pečiva– zpracování tuku do těsta<br>Přidávání vody do těsta na pečení<br>Krájení/míchání pěny/pomazánek | Min. – Max.<br>5 – Max.<br>1 – 5<br>Max. | Celková hmotnost 1,5 kg<br>Hmotnost mouky 340 g<br>Maso 600 g |
| Kráječ s víkem strouhacích kotoučů | Polévky – začněte na nízkých otáčkách a přejděte na maximální   | Min. – Max.                              | 1,5 l   |
| Šlehač                             | Šlehání žloutku a bílku<br>Vejce a cukr pro kynutá těsta bez tuku<br>Krém   | Max.<br>Max.<br>5 – Max.                 | 6 vajec<br>500 ml   |
| Hnětací hák                        | Kynutá těsta  | Max.                                     | 600 g   |
| Strouhací kotouče                  | Pevné potraviny, jako například mrkev nebo tvrdý sýr.<br>Měkčí potraviny jako například okurky nebo rajčata.                                  | 5 – Max.<br>Min. – 5                     |   |
| Pasírovací nástavec                | Parmazán, brambory na bramborové knedlíky.  | Max.                                     |   |
| Lis na citrusové plody             | Citrusové plody.  | 1  |   |
| Minirobot a kráječ                 | Univerzální použití.  | Max.                                     | 200 g   |
| Mixér                              | Univerzální použití.  | Max.                                     | 1,5 l   |
| Mini sekáček/mlýnek                | Univerzální použití.  | Max.                                     |   |
| Odstředivý odšťavňovač             | Ovoce a zelenina.   | Max.                                     | 500 g   |

## vážící funkce

Váš kuchyňský robot je vybaven vestavěnou funkcí vážení, která umožňuje, aby byly přísady váženy rovnou do pracovní mísy nebo nádoby mixéru.

- Maximální kapacita váhy je 3 Kg. To znamená celkovou hmotnost všech přísad včetně hmotnosti pracovní mísy nebo nádoby.



## Jak používat vážící funkci

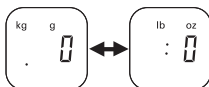
- 1 Před přidáním ingrediencí vždy správně nasadte hnací hřídel, mísu a příslušenství nebo nádobu mixéru na pohonnou jednotku.

- 2 Zapojte do zásuvky – displej zůstane prázdný.

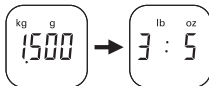


- 3 Stiskněte jednou tlačítko ON/ZERO a displej se rozsvítí.

- 4 Stiskněte tlačítko (kg/lb) a vyberte buď gramy nebo unce. Při zapnutí se displej standardně nastaví na kg/g.



- Váha váží ve 2g přírůstcích a pro vážení malých množství je doporučeno používat měřítka čajových nebo polévkových lžic.



- 5 Zkontrolujte, zda displej ukazuje '0', pokud ne, vynulujte jej stisknutím tlačítka ON/ZERO. Pak zvažte požadované přísady přímo v pracovní míse nebo nádobě mixéru. Poté, co se zobrazí hmotnost na displeji, stiskněte tlačítko ON/ZERO a displej se vrátí na hodnotu '0'. Přidejte další přísady a pak bude zobrazena jejich hmotnost. Opakujte tak dlouho, dokud nejsou všechny přísady zváženy.

- Pokud se displej nevynuluje a přísady nebo mísa/příslušenství/víko jsou odstraněny, displej ukáže [ - - - ], což označuje zápornou hodnotu. **Chcete-li vynulovat, stiskněte jednou tlačítko ON/ZERO.**

- 6 Chcete-li spustit robot, přidejte víko a zvolte rychlost.

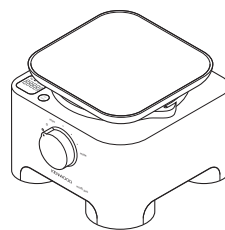
- Během provozu robota se displej zastaví a ukáže [ - - - ], dokud se ovladač rychlosti nevrátí zpět do polohy vypnuto.

- Po skončení provozu robota bude na displeji zobrazena poslední hmotnost, poté, co se ovladač rychlosti vrátí zpět do polohy vypnuto. Upozornění: Hmotnost víka bude také započítána, pokud nebude displej vynulován před zapnutím.

- Hmotnost jakýchkoli dalších přísad, které budou přispívány plnicím hrdlem během provozu robota nebude na displeji zobrazena.

## 13 vážící deska

Pro vážení přísad je dodávána rovněž odnímatelná vážící deska, kterou lze nainstalovat namísto nádoby na mixování tekutin nebo mísy. Chcete-li použít vážící desku, položte ji na horní část hnací jednotky a otočte deskou ve směru hodinových ručiček, abyste ji zajistili. Potom postupujte dle kroků 2 až 5, které "popisují použití funkce vážení".



Při sejmutí otočte deskou proti směru hodinových ručiček a zvedněte ji.

### automatické vypnutí

- Displej se automaticky vypne, pokud ukazuje stejnou hodnotu hmotnosti déle, než 5 minut.
- Displej lze vypnout ručně stisknutím a podržením tlačítka ON/ZERO po dobu několika vteřin.

### důležité

- Nepřetěžujte překračováním maximální kapacity váhy 3Kg.
- Netlačte na motorovou jednotku přehnanou silou, protože by to mohlo poškodit vážící senzor.
- Před vážením vždy umístěte procesor na suchý rovný povrch.
- Nehýbejte s motorovou jednotkou během vážení.

## používání mixéru

- 1 Nasadte těsnící kroužek 17 do nožové jednotky 18 a zkontrolujte, zda je správně usazen. **Pokud je těsnění poškozené ne není nasazeno správně, dojde k úniku obsahu z nádoby.**
- 2 Našroubujte nádobu na nožovou jednotku.
- 3 Vložte do nádoby suroviny.
- 4 Na pohárek osadte víko, které přitlačte dolů pro zajištění polohy 4. Osadte dávkovací uzávěr.
- 5 Nasadte mixér na hnací jednotku a otočením zajistěte 5.
- 6 Zvolte otáčky nebo použijte pulzy.

### důležité

- **NEBEZPEČÍ OPAŘENÍ:** Horké ingredience nechte před mixováním vychladnout na pokojovou teplotu.
- Aby byla zajištěna dlouhá životnost mixéru, nenechávejte jej běžet déle, než 60 sekund. Jakmile dosáhne směs správnou konzistenci, ihned mixér vypněte.
- V zařízení nepracovávají koření, které může poškodit plastové části.
- Pokud mixér není správně nasazen, zařízení nebude fungovat.
- Před zapnutím nekládejte do mixéru suché suroviny. V případě potřeby je nakrájejte na kousky, sejměte plnicí uzávěr a po zapnutí zařízení je postupně vhazujte do mixéru.
- V mixéru neskladujte žádné předměty. Mimo používání jej uchovávejte prázdný.
- Nikdy nemixujte více než 11/2 l (2pts 12fouz), zejména u hustých tekutin, jako jsou mléčné nápoje.

### tipy

- Při výrobě majonézy do přístroje vložte všechny ingredience kromě oleje. Odejměte plnicí víčko. Potom za běhu přístroje otvorem v krytu pomalu přidávejte olej.
- Husté směsi, například pomazánky a omáčky, je třeba setřít. Pokud jde směs obtížně zpracovat, přidejte tekutinu.
- Při drcení ledu použijte krátké pulzní záběry.

## použití mini sekáčku/mlýnku (pokud je součástí balení)

- 1 Vložte komponenty do nádoby. Nádobku zaplňte maximálně do poloviny.
- 2 Nasadte těsnící kroužek (17) do nožové jednotky (18).
- 3 Obratete nožovou jednotku dnem vzhůru. V této poloze ji umístěte na nádobku.
- 4 Našroubujte ji na nádobku a dobře utáhněte.
- 5 Nasadte mini sekáček/mlýnek na hnací jednotku a otočte jím, dokud se nezajistí (6).
- 6 Spustěte na maximální rychlost nebo použijte pulzovací funkce.

### bezpečnostní zásady

- Sekací nože nesmíte upevnit na hnací jednotku bez namontované nádoby.
- Nikdy neodšroubovávejte nádobku, pokud je mini sekáček/mlýnek osazený na přístroji.
- Nedotýkejte se ostří sekacích nožů. Sekací jednotku skladujte mimo dosah dětí.
- Mini sekáček/mlýnek sejměte až poté, co se sekací nože zcela zastavily.

### důležité

- Pro zajištění dlouhé životnosti mini sekáčku/mlýnku jej nikdy neprovazujte déle než 30 sekund bez přerušení. Po dosažení požadované konzistence zpracovávaných surovin jej ihned vypněte.
- Nemixujte tvrdá koření, mohla by poškodit umělou hmotu.
- Pokud je mini sekáček/mlýnek nesprávně nasazen, přístroj nebude fungovat.
- Používejte pouze suché komponenty.

### poznámky

- Zelení koření musí být před sekáním čisté a suché.

## jak používat příslušenství

### (21) sekací nůž / (22) hnětač těsta

Sekací nůž má z celého příslušenství nejširší uplatnění. Doba zpracování má vliv na dosaženou konzistenci. Chcete-li si dosáhnout hrubší konzistence, použijte pulsní spínač.

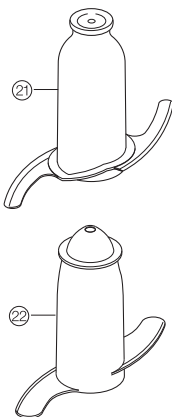
Sekací nůž použijte na pečivo a koláče, k sekání syrového a vařeného masa, zeleniny, ořechů, k přípravě paštik, pomazánek, krémových polévek a k výrobě strouhanky z pečiva a chleba. Není-li součástí výbavy hnětač, můžete použít sekací nůž i k přípravě kynutého těsta.

Hnětač se používá na kynuté těsto.

### tipy

#### sekací nůž

- Maso, chléb a zeleninu pokrájejte asi na 2cm kousky.
- Pečivo nakrájené na kousky vhažujte do plnicího hrdla za chodu.
- Připravujete-li těsto, nakrájejte ještě tuhý tuk z chladničky na 2cm kostky.
- Nenechávejte směs zpracovávat příliš dlouho.

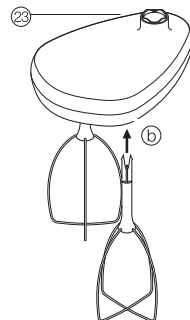


### hnětač těsta

- Suché přísady vložte do nádoby a za chodu přilijte zbývající tekuté přísady. Nechte zpracovávat asi 60–90 vteřin, až ze směsi vznikne hladký poddajný kus těsta obličej tvarů.
- Další hnětení provádějte pouze ručně. Další hnětení v nádobě se nedoporučuje, protože robot by se mohl převrhnout.

### (23) šlehač se dvěma metlami

Používejte pouze na řídkší směsi, např. vaječné bílky, smetanu, sušené mléko, a ke šlehání vajec a cukru na do piškotového těsta bez tuku. Hustší směsi obsahující tuk s moukou by šlehač poškodily.



## jak používat šlehač

- 1 Na pohonnou jednotku nasadte hnací hřídel a nádobu.
- 2 Obě metly zasuňte pevně do hlavice šlehače (19).
- 3 Šlehač nasadíte pomalým otáčením, až do hnací hřídele zapadne.
- 4 Do nádoby přidejte přísady.
- 5 Nasadte víko - dbejte na to, aby zakončení hřídele směřovalo do středu víka.
- 6 Zapněte.

### důležité

- Šlehač není vhodný pro přípravu rychlého pečiva nebo krému z tuku a cukru, protože tyto směsi jej mohou poškodit. Pro přípravu pečiva vždy používejte kráječ.

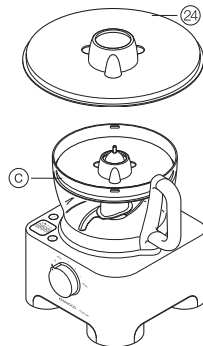
### tipy

- Nejlepších výsledků dosáhnete, použijete-li vejce pokojové teploty.
- Před šleháním zkontrolujte, zda jsou nádoba i šlehač čisté a nejsou na nich zbytky tuku.

### (24) maxi kryt

Při zpracování tekutin používejte sekací nůž s maxi krytem. Umožňuje zvětšit objemovou kapacitu nádoby z 1 litru na 1,5 litru, zabraňuje vylití a zvyšuje efektivnost sekacího nože.

- 1 Na pohonnou jednotku nasadte hnací hřídel a nádobu.
- 2 Nasadte nástavec se sekacím nožem.
- 3 Přidejte přísady podle potřeby.
- 4 Nasadte kryt na nástavec se sekacím nožem a přesvědčte se, zda drží pevně na vnitřním okraji nádoby (C). **Na kryt netlačte, držte ho za úchytku uprostřed.**
- 5 Nasadte víko a zapněte.



## plátkovací/strouhací kotouče

### oboustranné plátkovací/strouhací kotouče - na hrubo 25, na jemno 26

Strouhací stranu používejte na sýry, mrkev, brambory a potraviny podobné konzistence.

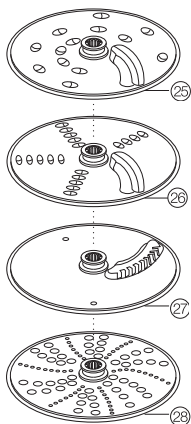
Plátkovací stranu používejte na sýry, mrkev, brambory, brukev, okurku, cuketu, červenou řepu a cibuli.

### jemný krájecí kotouč 27 (pokud je součástí balení)

Použive ke krájení: brambor pro jemné hranolky; surovin pevné konzistence do salátů, ozdob, zapékaných a míchaných jídel (např. mrkve, tuřínu, cukety, okurky).

### kotouč na velmi jemné strouhání 28 (pokud je součástí balení)

Ke strouhání parmezánu a brambor do bramborových knedlíků.



## bezpečnostní zásady

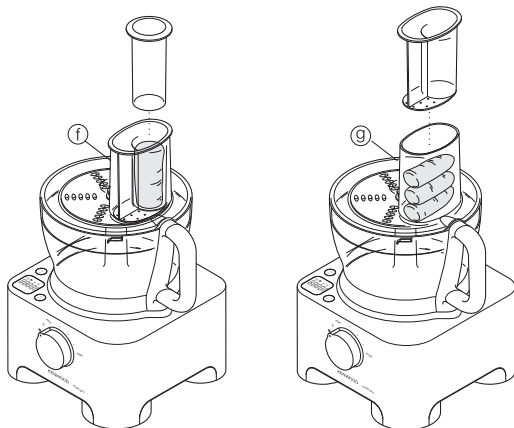
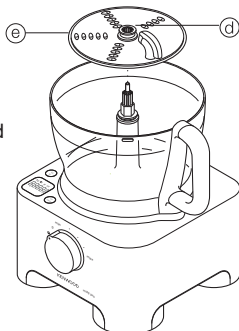
- Nikdy nesnímejte víko před úplným zastavením řezných kotoučů.
- S řeznými kotouči zacházejte opatrně, jsou velmi ostré.

## jak používat řezné kotouče

- 1 Na pohonnou jednotku nasadte hnací hřídel a nádobu.
- 2 Kotouč uchopte za úchytku uprostřed ④ a nasadte na hřídel správnou stranou nahoru ⑤.
- 3 Nasadte víko.
- 4 Zvolte plnicí hrdlo vhodné velikosti. Pěchovač obsahuje menší plnicí hrdlo ke zpracování jednotlivých kousků nebo surovin menšího průměru.

Menší plnicí hrdlo vytvoříte zasunutím velkého pěchovače do plnicího hrdla. Na velké plnicí hrdlo použijte společně oba pěchovače.

- 5 Do hrdla zasuňte to, co chcete zpracovat.
- 6 Zapněte a rovnoměrně tlačte pěchovačem - nikdy nestrkejte do plnicího hrdla prsty.



## tipy

- Používejte čerstvé suroviny
- Suroviny nekrájejte na příliš malé kousky. Plnicí hrdlo by se mělo zaplnit co nejvíce do šířky. Suroviny pak při zpracování neujždějí na stranu. Někdy je lepší použít malé plnicí hrdlo.
- Použijete-li krájecí kotouč, vkládejte suroviny vodorovně.
- Při krájení na plátky nebo strouhání: svisle umístěné suroviny ① se zpracují na kratší kousky a vodorovně umístěné suroviny ② na delší.
- Po každém použití kotoučů zůstane na kotouči nebo v nádobě trochu nezpracovaných surovin.

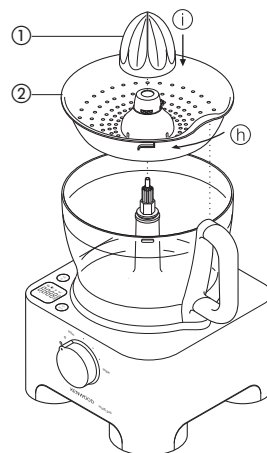
## 29 lis na citrusové plody (pokud je součástí balení)

Slouží k lisování šťáv z citrusových plodů (např. pomerančů, citronů, limet a grapefruitů).

- ① kužel
- ② sítko

## jak používat lis na citrusy

- 1 Na pohonnou jednotku nasadte hnací hřídel a nádobu.
  - 2 Na nádobu nasadte sítko. Přesvědčte se, zda je držadlo sítka zasazeno v poloze přímo nad držadlem nádoby ③.
  - 3 Nasadte kužel otáčivým pohybem na hnací hřídel, až zapadne na doraz ④.
  - 4 Ovoce rozpujte. Pak robot zapněte a ovoce přitlačte ke kuželu.
- Jestliže sítko špatně nasadíte, lis na citrusy nebude fungovat.





### 30 minirobot (pokud je součástí balení)

Minirobot slouží ke krájení bylin a ke zpracování malých množství surovin, jako například masa, cibule, ořechů, majonézy, zeleniny, pomazánek, omáček a dětské výživy.

- 1 kráječ minirobota
- 2 nádoba minirobota

#### používání s nádobou minirobota

- 1 Nasadte hnací osu a nádobu na hnací jednotku.
- 2 Nasadte nádobu minirobota tak, aby byla žebra uvnitř duté osy nádoby zarovnána s drážkami na hlavní duté ose ①.
- 3 Nasadte kráječ na hnací osu ②.
- 4 Vložte suroviny, které chcete zpracovat.
- 5 Nasadte víko a zapněte zařízení.

#### bezpečnost

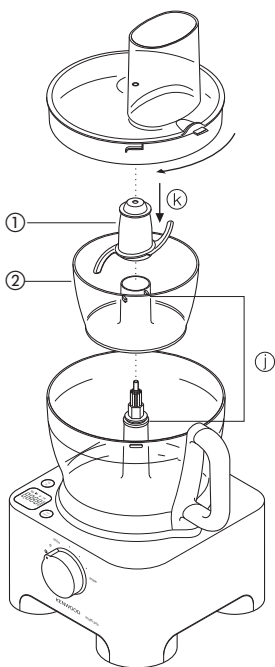
- Víko snímejte vždy až poté, co se kráječ zcela zastaví.
- Kráječ je velice ostrý – vždy s ním manipulujte opatrně.

#### důležité

- V zařízení nezpracovávejte koření, které může poškodit plastové části.
- Nezpracovávejte tvrdé potraviny, jako například kávová zrnka, kostky ledu nebo čokoládu, které mohou poškodit nože.

#### tipy

- Byliny se nejlépe krájí čisté a suché.
- Při mixování vařených surovin pro dětskou výživu vždy přidejte trochu tekutiny.
- Před zpracováním nakrájejte potraviny jako maso, pečivo nebo zeleninu na kostky cca 1 - 2 cm (1,2 – 3,4 in).
- Při přípravě majonézy přidejte do plnicího uzávěru olej.



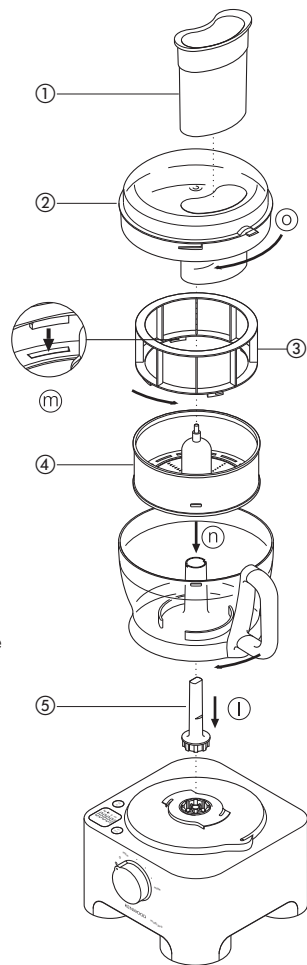
### 31 odšťedivka šťáv (pokud je součástí balení) (použijte maximální rychlost)

Odšťedivka šťáv slouží k výrobě šťáv z tvrdého ovoce a zeleniny.

- 1 pěchovač
- 2 víko
- 3 oddělovač dužiny
- 4 filtrační bubna
- 5 pohonná hřídel odšťavňovače

#### postup použití odšťedivky šťáv

- 1 Nasadte hnací hřídel odšťedivky a mísu na motorovou jednotku ①.
- 2 Vložte oddělovač dužiny do filtračního bubnu a ujistěte se, že příchytka zapadne do otvorů v dolní části bubnu ②.
- 3 Nasadte filtrační bubna ③. **Odšťavňovač nebude fungovat, pokud není víko pevně uzavřené.**
- 4 Nasadte na mísu víko a zajistěte pootáčením, dokud se plnicí hrdlo neocetne nad držadlem ④.
- 5 Nakrájejte surovinu na drobné kousky odpovídající velikosti plnicího hrdla trubice.
- 6 Spotřebič zapněte a tlačte rovnoměrně na pěchovač – **nikdy nevsouvajte prsty do plnicího hrdla.** Další suroviny přidávejte až po úplném zpracování první dávky.
- Po přidání posledního kousku nechejte odšťavňovač zapnutý dalších 20 sekund, aby z filtračního bubnu odešla všechna šťáva.



#### bezpečnost

- **Nepoužívejte odšťavňovač, je-li jeho filtr poškozen.**
- Řezací břity na dolní straně filtračního bubnu jsou velmi ostré; při manipulaci s nimi a jejich čištění postupujte opatrně.
- Používejte pouze dodávaný pěchovač. Nikdy nestrkejte prsty do plnicí trubice. Před uvolněním ucpané přívodní trubice odpojte přívodní šňůru ze sítě.
- Před sejmutím víka vypněte a počkejte na zastavení filtru.
- **důležité**
- Začne-li odšťavňovač vibrovat, vypněte jej a odstraňte z bubnu dužinu. (Odšťavňovač vibruje, pokud je nerovnoměrně rozmístěna dužina).
- Maximální kapacita, kterou lze zpracovat najednou, je 500g ovoce nebo zeleniny.
- Některé velmi tvrdé potraviny mohou zpomalit nebo zastavit chod odšťavňovače. Pokud se to stane, vypněte přístroj a odblokujte filtr.
- Během používání pravidelně přístroj vypínejte a čistěte sběrnou nádobu na dužinu.

### tipy

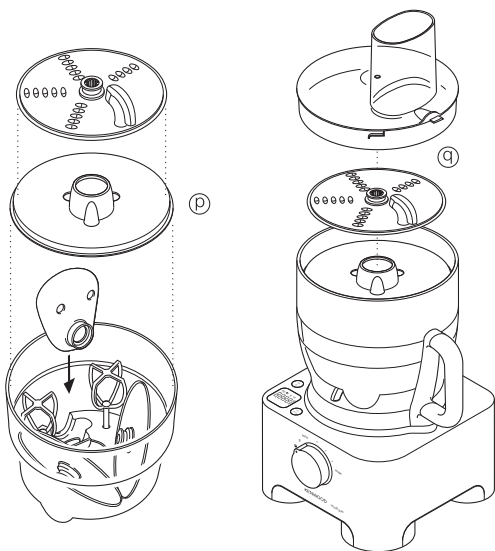
- Před zpracováním ovoce je odpeckujte a zbavte zrněk (např. meloun, švestky, papriky). Jablka a hrušky není třeba okrajovat a odstraňovat jadřinec.
- Používejte pevné a čerstvé ovoce a zeleninu.
- Citrusová šťáva bude zpěněná a nahořklá, protože se zpracovává také dřeň a kůra. Proto je vhodnější používat citrusový lis.

## 32 úložné pouzdro na adaptéry KENSTORE™

Kuchyňský robot je dodáván s úložným pouzdem na adaptéry, který se vkládá do nádoby.

### používání úložného pouzdra

- 1 Vložte do nádoby kráječ.
- 2 Potom vložte do úložného pouzdra šlehač, strouhací kotouče a víko (P).
- 3 Nasadte pouzdro na kráječ a nahoru víko robota (Q).

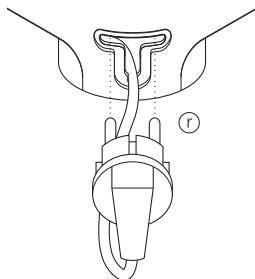


### údržba a čištění

- Před čištěním robot vždy vypněte a přírodní kabel vytáhněte ze zásuvky.
- S noži a kotouči zacházejte opatrně, jsou velmi ostré.
- Některé potraviny způsobují změnu barevného odstínu plastických hmot. Jde o běžnou věc, plastický materiál se tím nepoškodí a chuť jídel zůstane stejná. Zbarvení je možné odstranit hadříkem navlhčeným v rostlinném oleji.

#### pohonná jednotka

- Otřete vlhkým hadříkem a osušte. Zkontrolujte, zda kolem spojovacího mechanismu nejsou zbytky potravin.
- Je-li přírodní kabel příliš dlouhý, stočte ho do prostoru na zadní straně spotřebiče (R).



### mixer a mini sekáček/mlýnek

- 1 Nádobu mixéru/mlýnku nejprve vyprázdněte, a pak ji vyšroubujte ze sekacích nožů.
- 2 Nádobu mixéru/mlýnku umyjte v ruce.
- 3 Vyjměte a omyjte těsnění.
- 4 Nedotýkejte se ostrých nožů - očistěte je kartáčkem v horké vodě s mycím prostředkem a pak je pod tekoucí vodou řádně opláchněte. **Nástavec mixéru neponořujte do vody.**
- 5 Překlopte a nechte oschnout.

### šlehač se dvěma metlami

- Metly opatrně vysuňte z hlavičky šlehače. Omyjte je v teplé vodě s mycím prostředkem.
- Hlavici šlehače otřete vlhkým hadříkem a osušte. **Hlavici šlehače neponořujte do vody.**

### ostatní díly

- Umyjte v ruce, pak osušte.
- Nebo je můžete umýt v horní přihrádce myčky na nádobí. Doporučujeme krátký program s nízkou teplotou.

### servis a údržba

- Pokud by došlo k poškození napájecího kabelu, tak je z bezpečnostních důvodů nutné nechat napájecí kabel vyměnit od firmy KENWOOD nebo od autorizovaného servisního technika firmy KENWOOD.

- **Pokud narazíte na jakékoliv problémy s provozem robota, podívejte se před voláním opraváře do pokynů na odstraňování závad.**

Pokud potřebujete pomoc:

- se způsobem použití výrobku,
- s jeho údržbou nebo s opravami,
- obraťte se na tu prodejnu, kde jste výrobek koupili.

- Zkonstruováno a vyvinuto společností Kenwood ve Velké Británii.

- Vyrobeno v Číně.



### INFORMACE PRO SPRÁVNÉM SEŠROTOVÁNÍ VÝROBKU VE SMYSLU EVROPSKÉ SMĚRNICE 2002/96

Po ukončení doby své životnosti nesmí být výrobek odklizen společně s domácím odpadem. Je třeba zabezpečit jeho odevzdání na specializovaná místa sběru tříděného odpadu, zřizovaná městskou správou anebo prodejcem, který zabezpečuje tuto službu. Oddělené sešrotování elektrospotřebičů je zárukou prevence negativních vlivů na životní prostředí a na zdraví, které způsobuje nevhodné nakládání, umožňuje recyklaci jednotlivých materiálů, a tím i významnou úsporu energií a surovin. Pro účely zdůraznění povinnosti tříděného sběru odpadu elektrospotřebičů je na výrobku zaškrtnutý příslušný symbol pro sběr tříděného odpadu.

## průvodce odstraňováním problémů

| Problém   | Příčina  | Řešení  |
|---|--|---|
| Robot nefunguje.  | Zařízení není napájeno/indikátor napájení nesvítí.<br>Nádoba není správně zajištěná.<br><br>Víko není správně zajištěné. | Zkontrolujte, zda je robot zapojený do zásuvky.<br>Zkontrolujte, zda je nádoba správně umístěna a zda držadlo směřuje doprava.<br>Zkontrolujte, zda je bajonetový uzávěr víka správně umístěn do držadla.<br><b>Pokud nádoba a víko nejsou správně nasazené, robot nebude fungovat.</b><br>Pokud žádný z výše uvedených kroků problém neodstraní, zkontrolujte domácí jistič. |
| Robot se během používání zastavil.  | Robot je přetížen nebo byla překročena maximální kapacita.<br>Víko není zajištěné.                                       | Seznamte se s maximálními kapacitami uvedenými v části "používání kuchyňského robota".<br>Zkontrolujte, zda je víko řádně zajištěno.  |
| Nedostatečný výkon nástrojů/adaptérů.   | Viz tipy na příslušném místě v části "používání adaptérů". Zkontrolujte, zda jsou adaptéry správně nasazené.             |   |
| <b>vážicí funkce</b><br>Displej se zastaví na zobrazení [- - - -]<br><br>Změněná hmotnost na displeji | Příliš malá vážená hmotnost.<br><br>Motorová jednotka se během provozu pohnula.  | Pro vážení malých množství použijte měřítka čajových nebo polévkových lžic.<br><br>Nehýbejte s přístrojem během provozu.<br>Vynulujte displej před vážením dalších ingrediencí.   |

# Magyar

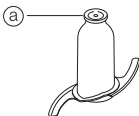
A használati utasítás ábrái az első oldalon láthatók – olvasás közben hajtsa ki ezt az oldalt.

## a Kenwood-készülék használata előtt

- Alaposan olvassa át ezeket az utasításokat és őrizze meg későbbi felhasználásra!
- Távolítsa el minden csomagolóanyagot és címkét!

## biztonság

- Legyen óvatos: a késpengék és a vágólapok nagyon élesek. **A késpengét mindig fent a tengelynél (a), az éltől távol fogja meg használat és tisztítás közben.**
- A készüléket nem szabad a fogantyúnál fogva felemelni, illetve szállítani – ellenkező esetben a fogantyú eltörhet, ami sérülést okozhat.
- A keverőedény kiürítése előtt mindig vegye ki a késpengét.
- Amíg a készülék feszültség alatt van, ne tegyen semmit, illetve ne nyúljon kézzel a keverőedénybe vagy a lékésítőbe.
- Kapcsolja ki a készüléket, és húzza ki a csatlakozódugaszt:
  - az alkatrészek behelyezése vagy kiemelése előtt,
  - használat után,
  - tisztítás előtt.
- Soha ne az ujjaival, hanem mindig a tartozékként mellékelt tömőrúddal/tömőrudakkal nyomja át az alapanyagot az adagolótölcséren.
- Mielőtt leveszi a fedelet a tálról, vagy a turmixgépről, vagy a darálóról/mini aprítóról, áramtalanítsa a készüléket:
  - kapcsolja ki a készüléket;
  - várjon addig, amíg a tartozék/pengék mozgása teljesen megszűnik;
  - legyen óvatos, ne csavarja ki a turmixgép üvegkancsóját/a darálót/mini aprítót a keses egységből.
- **ÉGÉSI SÉRÜLÉS KOCKÁZATA:** Forró hozzávalók keverése előtt várja meg, hogy lehűljenek szobahőmérsékletre.
- Soha ne a fedővel, hanem mindig a be/ki sebességszabályozóval kapcsolja a készüléket.
- **A reteszelő szerkezet túlfeszítése a készülék meghibásodásával járhat, és sérülést okozhat.**
- Csak engedélyezett tartozékot használjon.
- A bekapcsolt robotgépet ne hagyja felügyelet nélkül.
- Soha se használjon hibás készüléket. Intézkedjék gép átvizsgálásáról vagy javításáról: lásd a javításról szóló részt.
- A géptestet, a hálózati vezetékét és a csatlakozódugaszt óvja a nedvességtől.
- Ügyeljen arra, hogy a hálózati vezeték ne lógjon le az asztal vagy munkafelület széléről, és ne érintkezzék forró felülettel.
- A készüléket csak rendeltetészerűen, háztartási célokra használja.
- Ne lépje túl a feltüntetett maximális kapacitást.
- A készüléket nem üzemeltethetik olyan személyek (a gyermekeket is beleértve), akik mozgásukban, érzékszerveik tekintetében vagy mentális téren korlátozottak, illetve amennyiben nem rendelkeznek kellő hozzáértéssel vagy tapasztalattal, kivéve ha egy, a biztonságukért felelősséget vállaló személy a készülék használatát felügyeli, vagy arra vonatkozóan utasításokkal látta el őket.
- A gyermekekre figyelni kell, nehogy a készülékkel játsszanak.
- A készüléket csak a rendeltetésének megfelelő háztartási célra használja! A Kenwood nem vállal felelősséget, ha a készüléket nem rendeltetészerűen használták, illetve ha ezeket az utasításokat nem tartják be.
- A robotgép/turmixgép helytelen használata sérüléseket okozhat.



## a készülék bekapcsolása előtt

- Ellenőrizze, hogy a hálózati feszültség megegyezik-e a készülék alján feltüntetett értékkel.
- A készülék megfelel az elektromágneses összeférhetőségről szóló 2004/108/EK irányelv, valamint az élelmiszerekkel rendeltetészerűen érintkezésbe kerülő anyagokról szóló 1935/2004/EK rendelet (2004. október 27.) követelményeinek.

## az első használat előtt

- 1 Távolítsa el az összes csomagolóanyagot, többek között a vágókés pengéjének műanyag védőborítót. **Legyen óvatos, mert a késpengék nagyon élesek.** A védőborítót el kell dobni, mert ezekre a gyártás és a szállítás során van szükség.
- 2 Mossa át az egyes részegységeket: lásd A készülék tisztítása c. fejezetet.
- 3 A hálózati vezeték felesleges részét nyomja bele a készülék hátlapjába.

## jelmagyarázat

### alapkészülék

- ① géptest
  - ② levehető hajtótengely
  - ③ keverő edény
  - ④ fedő
  - ⑤ adagolótölcsér
  - ⑥ tömőrudak
  - ⑦ biztonsági reteszelő
  - ⑧ hálózati vezeték tárolója
  - ⑨ sebességvezérlő és jelzőlámpa, amely azt jelzi, hogy a készülék áram alatt van
- mérleg funkció**
- ⑩ be/nullázó gomb
  - ⑪ kijelző
  - ⑫ kg/lb gomb
  - ⑬ mérőtálca

### lékésítő

- ⑭ záródugó
- ⑮ fedő
- ⑯ edény – műanyag
- ⑰ tömítőgyűrű
- ⑱ pengecsoport

### daráló/mini aprító (ha tartozék)

- ⑲ daráló fedél
- ⑳ daráló edény

## további tartozékok

**Nem biztos, hogy minden alábbi tartozék megtalálható a robotgépe mellett. A tartozékok választéka a típustól függ**

- ⑳ késpenge
- ㉑ dagasztó eszköz
- ㉒ áttételes fém habverő pár
- ㉓ maxi-keverő fedő
- ㉔ vastag szeletelő/durva daraboló lemez
- ㉕ vékony szeletelő/finom daraboló lemez
- ㉖ finom (Julienne típusú) aprító lemez (ha tartozék)
- ㉗ reszelő lemez (ha tartozék)
- ㉘ áttételes citromfacsaró (ha tartozék)
- ㉙ mini bura (ha tartozék)
- ㉚ gyümölcscentrifuga (ha tartozék)
- ㉛ KENSTORE™ karusszel tartozékok

## a robotgép használata

- 1 A levehető tengelyt rögzítse a meghajtó egységre ❶.
- 2 Ezután igazítsa meg a keverőedényt, majd annak fogóját a készülék hátlapja felé téve rögzülésig forgassa az óramutató járásának megfelelő irányában ❷.
- 3 Válasszon ki egy tartozékot, és rögzítse azt a hajtótengelyre.
  - Minden esetben előbb rögzítse a keverőedényt és a tartozékot, és csak ezután töltsen be a keverőedénybe a hozzávalókat.
- 4 A fedőt ❸ úgy tegye fel, hogy a hajtótengely csúcsa a fedő közepébe csússzon.
  - **Soha ne a fedővel, hanem mindig a be/ki sebességszabályozóval kapcsolja a készüléket.**
- 5 Csatlakoztassa a készüléket az áramforráshoz; ekkor kigyullad a jelzőlámpa, amely azt jelzi, hogy a készülék áram alatt van. Kapcsolja be a készüléket és válassza ki a megfelelő sebességi fokozatot.
  - **A keverőedény és a fedő nem megfelelő illesztése esetén a készülék nem üzemel.**
  - Az impulzusüzem (P) rövid sebességnövelésre szolgál. Az impulzusüzem addig tart, amíg a gombot lenyomva tartja.
- 6 A fedő, a tartozékok és a keverőedény eltávolítását fordított sorrendben kell végeznie.
  - **A fedő levétele előtt mindig kapcsolja ki a készüléket.**
  - fontos**
  - A robotgép nem alkalmas kávészemek aprítására vagy darálására, illetve porcukor kristálycukorból való előállítására.
  - Mandulaesszencia, illetve egyéb ízesítőanyagok hozzáadása esetén ügyelni kell arra, hogy ezek az anyagok ne érjenek a műanyaghoz, mert ez tartós elszíneződést idézhet elő.

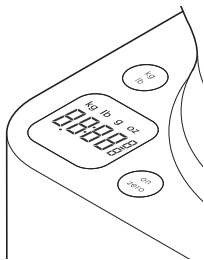
## A funkciók sebességének kiválasztása

| Eszköz/tartozék                      | Funkció   | Sebesség                             | Maximális kapacitás                              |
|--------------------------------------|---|--------------------------------------|--|
| Késpenge                             | Egy lépcsős tésztakeverés<br>Tészta – margarin beledolgozása a lisztbe<br>Víz hozzáadásával összedolgozza a tészta hozzávalóit<br>Aprítás/pépesítés | Min – Max<br>5 – Max<br>1 – 5<br>Max | 1,5kg teljes súly<br>340g liszt súly<br>600g hús |
| Késpenge maxi-keverő fedővel         | Levesek – kis sebességen kezdjen, majd fokozatosan növelje a sebességet a maximumig   | Min – Max                            | 1,5 liter  |
| Habverő                              | Tojásfehérjék<br>Tojás & cukor margarin nélkül készült piskótatészták részére<br>Krémm  | Max<br>Max<br>5 – Max                | 6 tojásfehérje<br>500 ml                         |
| Dagasztó eszköz                      | Élesztővel készült tészták  | Max                                  | 600g   |
| Lemezek – szeletelő/daraboló/reszelő | Szilárd alapanyagok, mint például a répa, vagy a kemény sajt<br>Lágyabb alapanyagok, mint például az uborka, vagy a paradicsom                      | 5 – Max<br>Min – 5                   |  |
| Reszelő lemez                        | Parmezán sajt, burgonya burgonyás gombóchoz.  | Max                                  |  |
| Citromfacsaró                        | Citrom  | 1                                    |  |
| Mini bura & kés                      | Mindent feldolgoz   | Max                                  | 200g   |
| Turmix                               | Mindent feldolgoz   | Max                                  | 1,5 liter  |
| Daráló/mini aprító                   | Mindent feldolgoz   | Max                                  |  |
| Gyümölcscentrifuga                   | Gyümölcs & zöldségek  | Max                                  | 500g   |

## mérleg funkció

A robotgép rendelkezik beépített mérleg funkcióval, amely segítségével az összetevők közvetlenül a keverő- vagy turmix edényben megmérhetők.

- A maximális mérési kapacitás 3 kg. Ez az összes összetevő és az edény teljes súlya.



## a mérleg funkció használata

- 1 A feldolgozandó összetevők hozzáadása előtt mindig csatlakoztassa a hajtótengelyt, a kiegészítőt vagy a turmixedényt a meghajtóegységhez.

- 2 Csatlakoztassa a készüléket – a kijelző üres marad.

- 3 Nyomja meg egyszer a BE/NULLÁZÁS gombot, a kijelző világitani kezd.

- 4 Nyomja meg a (kg/lb) gombot a gramm vagy uncia közötti választáshoz. A kijelző alapbeállítása az első bekapcsoláskor kg/g.

- A készülék 2 g-os lépésekben mér, ezért a kisebb mennyiségek méréséhez ajánlott a teáskanál/evőkanál használata.

- 5 Ellenőrizze, hogy a kijelző '0'-t mutat-e, ha nem, nullázza le a BE/NULLÁZÁS gomb segítségével. Ezután mérje meg az összetevőket közvetlenül a keverő- vagy turmix edényben. A súly leolvasása után, nyomja meg a BE/NULLÁZÁS gombot, és a kijelző visszaáll '0'-ra. Adja hozzá a következő összetevőt, és most annak a súlya jelenik meg a kijelzőn. Ismételje a folyamatot, amíg minden összetevőt megmér.

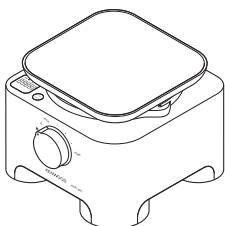
- Ha a kijelzőt nem nullázza le, és az összetevőket vagy a tálát/tartozékokat/fedelet eltávolítják, a kijelző [ - - - ]-t mutat, ami negatív értéket jelent. **A nullázáshoz nyomja meg egyszer a BE/NULLÁZÁS gombot.**

- 6 Tegye fel a fedelet, és válasszon sebességet a robotgép használatához.

- Használat közben a kijelzőn a [ - - - ] látható, amíg a sebességvezérlőt vissza nem állítja a kikapcsolt helyzetbe.
- A használatot és a sebességvezérlő kikapcsolását követően az utoljára mért súly látható a kijelzőn. Megjegyzés: A súlyban a fedél súlya is benne lesz, ha a kijelzőt nem nullázza le a bekapcsolás előtt.
- A robotgép működése közben az adagolótölcséren keresztül hozzáadott további összetevők súlya nem jelenik meg a kijelzőn.

## 13 mérőtálca

A levehető mérőtálca segítségével a tál vagy a mixer használata nélkül is megmérheti a hozzávalókat. Helyezze a tálcat a motor egységre és fordítsa el az óramutató járásával megegyező irányban. Ezután kövesse "a mérleg funkció használata" c. részben leírt 2. – 5. lépéseket.



Az eltávolításhoz fordítsa el a tálcat az óramutató járásával ellenkező irányban, és vegye le.

### automatikus kikapcsolás

- A kijelző automatikusan kikapcsol, ha 5 percig ugyanaz a mérési eredmény.
- A kijelző manuálisan is kikapcsolható, ha néhány másodpercig lenyomva tartja az ON/ZERO gombot.

### fontos

- Ne terhelje túl a 3 kg-os maximális mérési kapacitás túllépésével.
- Ne tegye ki a géptestet túlzott erőhatásoknak, mivel ez károsíthatja a mérleg érzékelőt.
- Mindig száraz, egyenletes felszínen használja a robotgépet méréshez.
- A mérleg funkció használata közben ne mozgassa a géptestet.

## turmixgép használata

- 1 A tömitő gyűrű (17) illeszse bele a forgókés egységbe (18) – ügyeljen, hogy a tömitőgyűrű mindenhol megfelelően rátapadjon a forgókés egységre.

**Ha a tömitőgyűrű megsérül, vagy nem illeszkedik megfelelően, akkor a készülék szivároghat.**

- 2 Csavarja rá az edényt a forgókés egységre.
- 3 Helyezze az alapanyagokat az edénybe.
- 4 Helyezze rá a fedelet a pohárra, és nyomja le, hogy rögzítse 4. Helyezze fel a töltőnyílás kupakját.
- 5 Helyezze a turmixgépet az elektromos egységre és fordítsa el, hogy megfelelően rázárjon 5.
- 6 Válassza ki a megfelelő sebességi fokozatot, vagy használja az impulzus üzemmódot.

### fontos

- **ÉGÉSI SÉRÜLÉS KOCKÁZATA:** Forró hozzávalók keverése előtt várja meg, hogy lehűljenek szobahőmérsékletre.
- A turmixgép hosszú élettartama érdekében sose használja a készüléket 60 másodpercnél tovább. Amint a turmixnak megfelelő az állaga, kapcsolja ki a készüléket.
- Ne turmixoljon fűszereket, mert kárt tehetnek a műanyag borításban.
- A készülék nem működtethető, ha a turmixgép nincs megfelelően csatlakoztatva.
- A turmixgép bekapcsolása előtt ne helyezzen száraz alapanyagokat a turmix edénybe. Ha szükséges, darabolja fel a száraz alapanyagokat, vegye ki a töltőnyílás kupakját, majd turmixolás közben egyenként ejtse bele őket a turmix edénybe.
- Ne tároljon ételt a turmixgépben. Ha használaton kívül van, akkor mindig ürítse ki a készüléket.
- Ne tegyen több mint 1 1/2 liter (2pts 12fhoz) folyadékot a turmixgépbe – habzó folyadékok, például tejturmixok esetében pedig ennél is kevesebbet.

### ötletek

- Majonéz készítésekor helyezzen minden hozzávalót a mixerbe, az olaj kivételével. Vegye le a töltőnyílás kupakját. Ezután, a készülék működése közben, lassan adja hozzá az olajat a fedél nyílásán keresztül.
- Sűrű folyadékok, például pépek és mártások előállítását után az edényfal letisztításához több folyadékra lehet szükség.
- Jégdaraboláshoz használja az impulzus üzemmódot rövid szünetekkel.

## a daráló/mini aprító használata (ha tartozék)

A daráló/mini aprítót zöldfűszerek, dió és kávé darálására használja.

- 1 A feldolgozandó ételt tegye a daráló edénybe. Az edényt legfeljebb félig töltsen meg.
- 2 Helyezze a tömítő gyűrűt (17) a daráló kés aljzatába (18).
- 3 A daráló kést fordítsa fejjel lefelé, és illessze a daráló edény szájára úgy, hogy a kés az edénybe érjen.
- 4 Csavarja az aljzatot az edényre, és kézzel szorítsa meg.
- 5 Tegye a daráló/mini aprítót a tápegységre, és fordítsa Lock (Zárva) (6) helyzetbe.
- 6 Kapcsolja a robotgépet maximális sebességre vagy használja a rövid üzem gombot.

### biztonság

- A daráló edény nélkül soha ne szerelje fel a forgókést a robotgépre.
- Soha ne csavarja ki az üvegkancsót, amíg a daráló/mini aprító a készülékre van szerelve.
- Ügyeljen arra, hogy ne érjen a daráló kés éleihez. A daráló kést mindig gyermekektől elzárva tárolja.
- Soha ne vegye ki a daráló/mini aprítót, amíg a kések teljesen le nem álltak.

### fontos megjegyzések

- A daráló/mini aprítója hosszú élettartamának biztosítása céljából soha nem működtesse 30 másodpercnél tovább. A megfelelő állag elérése után azonnal kapcsolja ki.
- A fűszerek károsíthatják a készülék műanyagát, ezért feldolgozásukat kerülni kell.
- A készülék nem működik, ha a daráló/mini aprító nincs megfelelően a helyén.
- A darálót csak száraz összetevők feldolgozására használja.

### néhány jó tanács

- A fűszernövényeket lehetőleg tisztán és szárazon darálja.

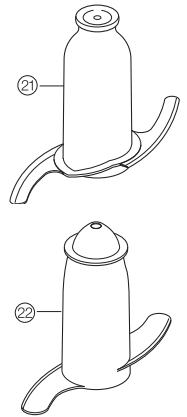
## a tartozékok használata

### (21) késpenge/ (22) tésztakeverő

Az összes tartozék közül a kés használható a legtöbb feladathoz. A feldolgozott anyag állaga a feldolgozási idő hosszától függ. A durvább szerkezetű anyagok feldolgozásához használja az impulzuskapcsolót.

A késpenge használható torta- és süteménykészítéshez, nyers és főtt hús, zöldségfélék és dió aprításához, pástétomokhoz, mártásokhoz, pürékhez és levesekhez, valamint zsemlemorzsa készítéséhez száraz kenyérből vagy zsemleléből. Tésztakeverő hiányában kelt tészta keverékekhez is igénybe vehető.

A tésztakeverő kelt tészta keverékekhez használatos.



### ötletek

#### késpenge

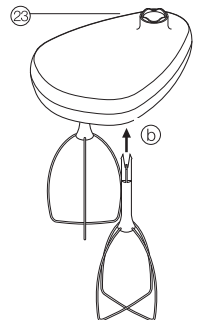
- A húst, kenyeret és zöldségfélét feldolgozás előtt vágja kb. 2 cm-es kockákra.
- A száraz zsemlet tördelje darabokra, és működés közben helyezze be az adagolótölcséren keresztül.
- Süteménykészítéskor közvetlenül hűtőből kivett, 2 cm-es kockákra vágott margarint használjon.
- Vigyázzon, nehogy túl sokáig végezze a feldolgozást.

#### tésztakeverő

- Tegye bele a száraz hozzávalókat a keverőedénybe, majd a folyadékot a készülék járatása közben töltsen be az adagolótölcséren keresztül. A tészta rugalmas golyóvá válásáig végezze a keverést (60-90 mp).
- Az átgúrást kézzel végezze, de lehetőleg ne a keverőedényben, mert ezáltal károsodhat a készülék.

### (23) habverő

A habverőt csak híg keverékekhez használja (pl. tojásfehérje, krém, sűrített tej, tojás és cukor zsír nélküli tésztaalaphoz), mert a sűrűbb keverékek (pl. zsír és liszt) tönkreteszik.



## a habverő használata

- 1 Illessze a hajtótengelyt és a keverőedényt a géptestre.
- 2 Nyomja be jól a két verőpálcát a hajtófejbe (b).
- 3 Óvatosan forgatva illessze helyére a habverőt.
- 4 Adagolja be a hozzávalókat.
- 5 Illessze helyére a fedőt ügyelve arra, hogy a tengely csúcsa a fedő közepébe csússzon.
- 6 Kapcsolja be a készüléket.

## fontos

- Egy lépcsős tésztakeveréshez, illetve margarin és cukor felveréséhez ne használja a habverőt, mert az megromolódhat. A tésztakeveréshez mindig a késpengét használja.

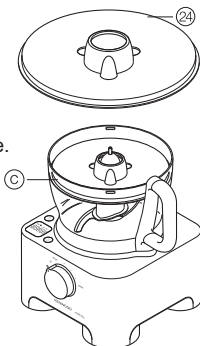
## ötletek

- A legjobb eredményt akkor kapja, ha a felhasznált tojások szobahőmérsékletűek.
- Ellenőrizze, hogy a keverőedény és a habverő tiszta és zsírmentes-e.

## 24 mixer terelőlap

Folyadékok keverése esetén a késpengét a mixer terelőlappal használja, mert ezáltal 1 literre 1,5 literre növelhető a mixelt anyag mennyisége, elkerülhető a szivárgás, és javítható a penge aprító teljesítménye.

- 1 Illessze a hajtótengelyt és a keverőedényt a géptestre.
- 2 Illessze helyére a késpengét.
- 3 Adagolja be a hozzávalókat.
- 4 Illessze a terelőlapot a penge fölé úgy, hogy az a keverőedény belső peremére fekdjön fel (c). **Tilos a terelőlap lenyomása: azt mindig a középső fogantyúnál szabad csak megfogni.**
- 5 Illessze helyére a fedőt, és kapcsolja be a készüléket.



## szeletelő/reszelőlapok

### megfordítható szeletelő/reszelőlapok

- **vastag** (25), **vékony** (26)

A lapok reszelő oldalát sajtokhoz, répához, burgonyához és más, hasonló állagú élelmiszerekhez használja.

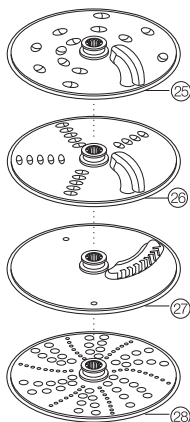
A lapok szeletelő oldalát sajthoz, répához, burgonyához, káposztához, uborkához, cukkinihez, céklához és hagymához használja.

### finom aprítólemez (27) (ha tartozék)

A lemezzel hasábokra vághatja a sütnivaló burgonyát, továbbá saláták, köretek és raguk hozzávalóit (pl. répa, patisszon, cukkini, uborka) apríthatja fel.

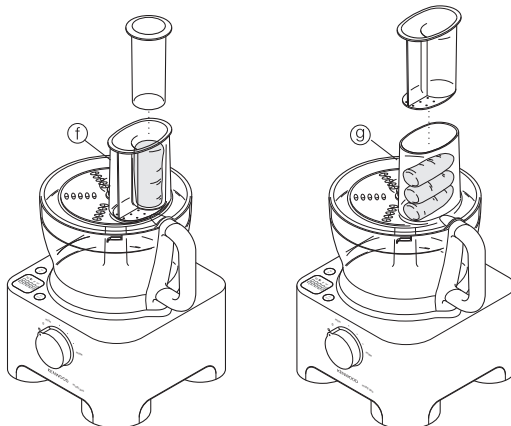
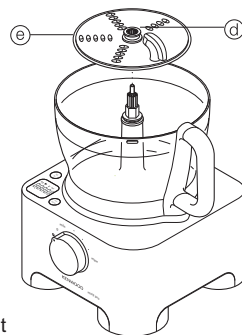
### reszelőlap (28) (ha tartozék)

Parmezán sajt és knédlihez való burgonya lereszeléséhez.



## a vágólemezek használata

- 1 Illessze a hajtótengelyt és a keverőedényt a géptestre.
- 2 A lemezt középső fogantyújánál (d) tartva helyezze a kívánt oldallal felfelé a hajtótengelyre (e).
- 3 Illessze helyére a fedőt.
- 4 Válassza ki a kívánt méretű adagolótolcsért. A tömörűd-ban egy kisebb méretű adagolótolcsér is található, ami az apróbb hozzávalók feldolgozásához használható. A kis adagolótolcsér használatakor előbb helyezze be a nagy tömörűdat az adagolótolcsérbe. A nagy adagolótolcsér használatakor a két tömörűdat egyszerre használja.
- 5 Tegye be a hozzávalókat az adagolótolcsérbe.
- 6 Kapcsolja be a készüléket, és a tömörűddal nyomkodja le a hozzávalókat. **Soha ne tegye az ujját az adagolótolcsérbe.**



## ötletek

- Friss hozzávalókat használjon.
- Ne vágja túl apróra a hozzávalókat. Töltse ki teljesen a nagy adagolótolcsért, mert így megakadályozhatja, hogy a feldolgozás során az élelmiszerdarabkák oldalt kicsússzanak. Szükség esetén használja a kis adagolótolcsért.
- Az aprítólap használata esetén a hozzávalókat vízszintesen helyezze el.
- Szeletelés vagy reszelés: a robotgép a függőlegesen (f) elhelyezett darabokat rövidebb, a vízszintesen (g) elhelyezett darabokat hosszabb szeletekre vágja.
- A feldolgozást követően a lapon vagy a keverőedényben mindig lesz némi maradék.

## biztonság

- **Soha ne vegye le a fedőt addig, amíg a vágólemez teljesen meg nem állt.**
- **Rendkívül óvatosan bánjon a vágólemezekkel, mert azok nagyon élesek.**



## 29 citrusfacsaró (ha tartozék)

A citrusfacsaró narancs, citrom, lime és grapefruit levének a kicsavarására alkalmas.

- 1 kúp
- 2 szűrő

### a citrusfacsaró használata

- 1 Illesse a hajtótengelyt és a keverőedényt a géptestre.
- 2 Illesse be a szűrőt a keverőedénybe ügyelve arra, hogy a szűrő fogója közvetlenül a keverőedény fogója (h) fölött legyen.
- 3 Helyezze rá, majd forgatva húzza rá teljesen a kúpot a hajtótengelyre (1).
- 4 Vágja félbe a gyümölcsöt, majd kapcsolja be a robotgépet, és nyomja rá a gyümölcsöt a kúpra.

- **A citrusfacsaró addig nem működik, amíg a szűrő nincs jól a helyén.**

## 30 mini bura (ha tartozék)

A mini bura fűszernövények összeaprítására és kis mennyiségű alapanyagok, mint például hús, hagyma, magvak, majonéz, zöldségek, pürék, szószok és bébiétel összekeverésére alkalmas.

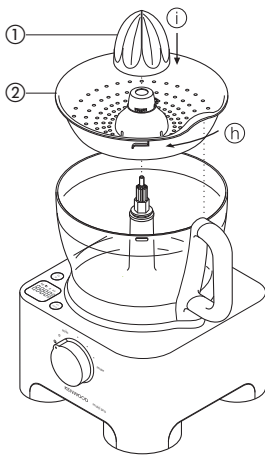
- 1 mini késpenge
- 2 mini bura

### a mini bura használata

- 1 Illesse a meghajtó tengelyt és a burát az elektromos egységre.
- 2 Illesse fel a mini burát - a mini bura belsejében található bordázatnak illeszkednie kell a középső csőbordázatához (1).
- 3 Helyezze a késpengét a meghajtó tengely fölé (k).
- 4 Rakja be az összekeverendő alapanyagokat.
- 5 Helyezze fel a fedőt és kapcsolja be a készüléket.

#### biztonság

- Ne vegye le a fedőt, míg a késpenge teljesen meg nem állt.
- A késpenge nagyon éles – mindig kellő elővigyázatossággal nyúljon hozzá.



#### fontos

- Ne turmixoljon fűszereket, mert kárt tehetnek a műanyag borításban.
- Ne turmixoljon kemény alapanyagokat, mint például kávébabot, jégkockákat vagy csokoládét, mert kárt tehetnek a készpéngében.

#### javaslatok

- Fűszernövényeket akkor javallott aprítani, amikor a turmixgép tiszta és száraz.
- Bébiétel összekeverésekor, ha előre elkészített alapanyagokat is használ, akkor mindig adjon hozzá egy kis folyadékot is.
- A turmixolás megkezdése előtt a húst, a kenyeret és a zöldségeket vágja fel körülbelül 1-2 cm-es (1/2 – 3/4 in) kockákra.
- Majonéz készítésekor az olajat a töltőnyíláson keresztül adagolja.

## 31 fém gyümölcscentrifuga (ha tartozék)(használja a legnagyobb sebességen)

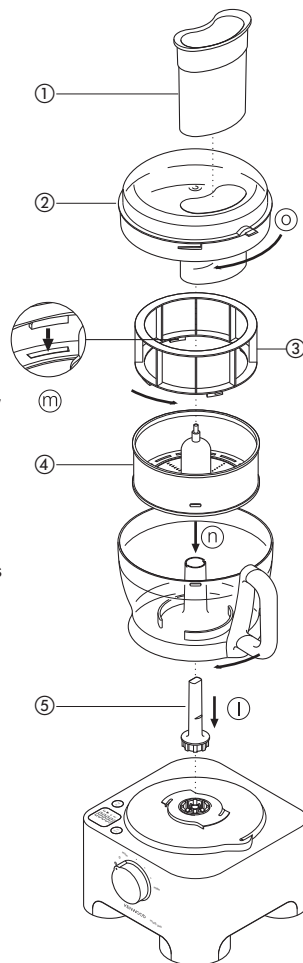
A gyümölcscentrifugát gyümölcs- és zöldséglé készítésére használhatja.

- 1 tolóka
- 2 fedél
- 3 pépeltávolító
- 4 szűrődob
- 5 sebességes

### a gyümölcscentrifuga használata

- 1 Illesse a hajtótengelyt gyümölcscentrifuga és a tálat a motor egységre (1).
- 2 Helyezze a pépeltávolítót a szűrődobba, ügyelve arra, hogy a fülek a dob alján található aljzatokba kerüljenek (m).
- 3 Illesse be a szűrődobot (n). A gyümölcscentrifuga nyitott fedéllel nem működik.
- 4 Helyezze a tartozék fedelét a tátra, fordítsa el amíg rögzül, és az adagolócső a fogantyú felett helyezkedik el (o).
- 5 Vágja fel az alapanyagokat akkora kockákra, hogy beférjenek az adagolócsőbe.
- 6 Kapcsolja be a készüléket és egyenletesen tolja le az alapanyagokat a tolókával - **soha ne helyezze ujját az adagolócsőbe**. Dolgozza fel teljesen, mielőtt újabb adagot volna be.

- Miután az utolsó darabot is berakta, hagyja a készüléket további 20 másodpercig üresen járni, hogy a maradék levét is kiszívja a szűrődobból.



## első a biztonság

- **Ne használja a gyümölcscentrifugát, ha a szűrője sérült.**
- A szűrődob alján található vágóélek nagyon élesek, ezért fokozottan ügyeljen a dob kezelésekor és tisztításakor.
- Kizárólag a készülékhez mellékelte tömőrudat használja. Soha ne nyúljon kézzel az adagoló tölcserbe. Mielőtt kitisztítja az adagoló tölcserét mindig kapcsolja ki a motort, és a csatlakozót is húzza ki a konnektorból.
- A fedél levétele előtt kapcsolja ki a készüléket és mindig várja meg, amíg a szűrő forgása leáll.

### fontos

- Ha a gyümölcsprés rázkódni kezd, kapcsolja ki és távolítsa el a gyümölcspépet a doból. (A gép akkor rázkódik, ha a gyümölcsűs egyenetlenül osztódik el).
- Egyszerre legfeljebb 500g gyümölcs vagy zöldség préselhető ki.
- Egyes nagyon kemény alapanyagok miatt a centrifuga lelassulhat vagy megállhat. Ha ez történne, kapcsolja ki a készüléket, és tisztítsa meg a szűrőt.
- Feldolgozás közben a gyümölcsvelő-gyűjtő tartalmát rendszeresen ürítse ki.

### ötletek

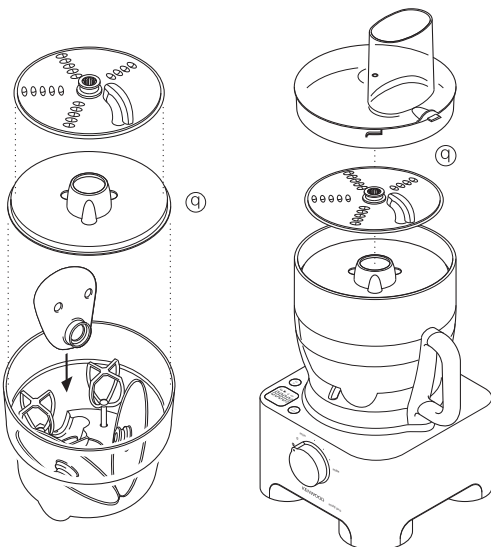
- A feldolgozás előtt távolítsa el a magokat (pl. paprika, sárgadinnye, szilva) és az eresebb héjat (pl. sáregadinnye, ananász). Az almát és a körtét nem szükséges kimagozni és meghámozni.
- Használjon szilárd, friss zöldséget és gyümölcsöt.
- A citrusfélék leve keseru és habos lesz, mivel a héjak szintén feldolgozásra kerülnek. Citrusfélékhez használja a citrusprést.

## 32 KENSTORE™ karusszel tartozékok

A turmixgéphez tartozik egy tároló karusszel is, amely beleilleszthető a burába.

## a tároló karusszel használata

- 1 Illessze a késpengét a burába.
- 2 Illessze a habverőt, a lemezeket és a fedőt a karusszelbe ①.
- 3 Illessze a karusszelt a késpenge fölé és helyezze fel a készülék fedelét ②.

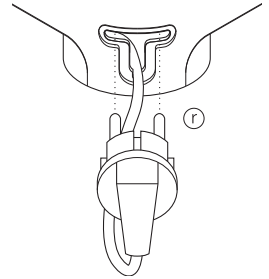


## ápolás és tisztítás

- Tisztítás előtt minden esetben kapcsolja ki a gépet, a hálózati dugaszt húzza ki a konnektorból.
- A késpengék és a vágólapok rendkívül élesek, ezért ezekkel nagyfokú körültekintéssel kell bánni.
- Bizonyos élelmiszerek hatására a műanyag elszíneződhet. Ez teljesen normális jelenség, ami nem károsítja a műanyagot, illetve nem befolyásolja az élelmiszerek ízét. Az ilyen elszíneződések növényi olajba mártott ruhadarabbal dörzsölve távolíthatók el.

### géptest

- Előbb nedves ruhával törölje át, majd törölje szárazra. Ügyeljen arra, hogy a reteszelő mechanizmus területén ne legyenek élelmiszermaradékok.
- A hálózati csatlakozó vezeték felesleges részét a készülék hátlapjában kialakított helyen tárolja ①.



### turmixgép és daráló/mini aprító

- 1 Mielőtt a turmixoló/daráló edényt lecsavarja a forgókésről, mindig öntse ki az edény tartalmát.
- 2 A turmixoló/daráló edényt kézzel mosogassa el.
- 3 Vegye ki és mossa el a tömitéseket
- 4 Ne nyúljon az éles pengékhez. Forró szappanos víz segítségével kefélje tisztára, majd csap alá tartva öblítse át alaposan azokat. **Tilos a pengecsoportot vízbe meríteni.**
- 5 Lefele fordítva hagyja megszáradni.

### habverő

- A verőpálcákat enyhe húzogatóssal emelje ki a hajtófejből, majd meleg szappanos vízben mosogassa el.
- A hajtófejet előbb nedves ruhával törölje át, majd törölje szárazra. **Tilos a hajtófejet vízbe meríteni.**

### egyéb alkatrészek

- Ezeket kézzel mosogassa el, majd törölje szárazra.
- Ezek mosogatógépben is elmoshatóak, ha a legfelülre helyezi őket a gépben. Rövid és alacsony hőmérsékletű program a javallott.

## szerviz és vevőszolgálat

- Ha a hálózati vezeték sérült, azt biztonsági okokból ki kell cseréltetni a KENWOOD vagy egy, a KENWOOD által jóváhagyott szerviz szakemberével.
- **Ha bármilyen problémát tapasztal a robotgép használatá során, olvassa el a hibakeresési útmutatót, mielőtt segítséget kérne.**

Ha segítségre van szüksége:

- a készülék használatával vagy
  - a karbantartással vagy a javítással kapcsolatban,
  - forduljon az elárúsítóhelyhez, ahol a készüléket vásárolta.
- 
- Tervezte és kifejlesztette a Kenwood az Egyesült Királyságban.
  - Készült Kínában.



**A TERMÉK MEGFELELŐ MÓDON TÖRTÉNŐ HULLADÉKKEZELÉSÉRE VONATKOZÓ FONTOS TUDNIVALÓK A 2002/96/EC IRÁNYELV ÉRTELMÉBEN**

A hasznos élettartamának végére érkezett készüléket nem szabad a lakossági hulladékkal együtt kezelni.

A leselejtezett termék az önkormányzatok által kijelölt szelektív hulladékgyűjtőkben (hulladékgyűjtő udvar) vagy az elhasználódott készülékek visszavételét végző kereskedőknél adható le.

Az elektromos háztartási készülékek szelektív gyűjtése és kezelése lehetővé teszi a nem megfelelően végzett hulladékkezelésből adódó, a környezetet és az egészséget veszélyeztető negatív hatások megelőzését és a készülék alkotórészeinek újrahasznosítását, melynek révén jelentős energia-és erőforrás-megtakarítás érhető el.

Az elektromos háztartási készülékek szelektív gyűjtésére és kezelésére vonatkozó kötelezettséget a terméken feltüntetett áthúzott szemétygyűjtő edény (kerekes kuka) jelzés mutatja.

**Hibakeresési útmutató**

| Hiba   | Ok   | Megoldás   |
|--|--|--|
| A készülék nem működik   | Nincs áram alatt / a jelzőlámpa nem világít.<br><br>A burra nincs megfelelően rázárva.<br><br>A fedő nincs megfelelően lezárva.  | Ellenőrizze, hogy a készülék csatlakoztatva van-e az áramforráshoz.<br><br>Ellenőrizze, hogy a burra megfelelően van-e felhelyezve és hogy a fogantyú jobb kézre esik-e.<br><br>Ellenőrizze, hogy a fedő reteszelő megfelelően van-e hozzáillesztve a forgó egységhez.<br><br><b>A készülék nem működtethető, ha a burra és a fedő nem illeszkednek megfelelően.</b><br><br>Ha nem a fentiek okozzák a hibát, akkor ellenőrizze a házi biztosíték/áramkör megszakítót. |
| A készülék leáll működés közben  | A készülék túlterhelt / maximális kapacitás túllépve.<br><br>A fedő nincs lezárva.   | Ellenőrizze a feltüntetett maximális kapacitást, lásd a "Turmixgép használata" részt.<br><br>Ellenőrizze, hogy a fedő megfelelően van-e lezárva.   |
| Az eszközök/tartozékok gyenge teljesítményt nyújtanak.   | Lásd a javaslatokat a vonatkozó "tartozék használata" részben. Ellenőrizze, hogy a tartozékok megfelelően vannak-e összeállítva. |  |
| <b>mérleg funkció</b><br>használata közben a kijelző folyamatosan [- - -]-t mutat.<br><br>Megváltozott a mért súly a kijelzőn. | A mért mennyiség túl kicsi.<br><br>Használat közben elmozdították a készüléket.  | Nagyon kis mennyiségeket mérjen teáskanállal vagy evőkanállal.<br><br>Ne mozgassa használat közben.<br>Nullázza le a kijelzőt a következő összetevő mérése előtt.  |

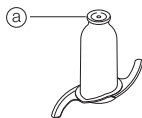
Przed przystąpieniem do czytania instrukcji prosimy rozłożyć pierwszą stronę z ilustracjami

## przed użyciem urządzenia Kenwood

- Przeczytaj uważnie poniższe instrukcje i zachowaj je na wypadek potrzeby skorzystania z nich przyszłości.
- Wyjmij wszystkie materiały pakunkowe oraz wszelkie etykiety.

## bezpieczeństwo

- Noże i tarcze tnące są ostre; należy obchodzić się z nimi ostrożnie. **Zawsze trzymać noże za wierzch uchwytu (a) ,z dala od krawędzi tnącej, zarówno podczas użytkowania, jak i podczas czyszczenia.**
- Nie podnosić ani nie przenosić malaksera za uchwyt, gdyż grozi to pęknięciem uchwytu i odniesieniem obrażeń fizycznych przez użytkownika.
- Przed opróżnieniem miski zawsze wyjmować ostrze.
- Gdy urządzenie jest podłączone do zasilania, nie wkładać rąk do miski ani do miksera.
- Wyłączyć urządzenie i wyjąć wtyczkę:
  - przed dołączeniem lub wyjęciem jakiejś części
  - po użyciu
  - przed czyszczeniem
- Nigdy nie wkładać palców do podajnika. Zawsze używać dostarczonego popychacza(czy).
- Przed zdjęciem pokrywy z miski lub miksera bądź mini-rozdrabniacza/młynka z podstawy zasilającej:
  - wyłączyć urządzenie;
  - poczekać, aż wszystkie elementy /ostrza całkowicie się zatrzymają;
  - zachować ostrożność, by nie odkręcić dzbanka miksera lub mini-rozdrabniacza/młynka z zespołu ostrzy.
- **RYZIKO POPARZENIA:** Przed mikсовaniem gorące składniki należy ostudzić do temperatury pokojowej.
- Do włączania i wyłączania urządzenia nie należy używać pokrywki, tylko regulatora prędkości.
- **Urządzenie to może ulec uszkodzeniu i spowodować obrażenia, jeśli mechanizm blokujący zostanie narażony na działanie nadmiernej siły.**
- Nie należy używać niedozwolonego wyposażenia.
- Nie pozostawiać włączonego urządzenia bez dozoru.
- Nigdy nie używać uszkodzonego urządzenia. Oddać je do sprawdzenia lub naprawy: patrz 'serwis'.
- Nie dopuścić, aby korpus urządzenia, kabel lub wtyczka zamokły.
- Nie pozwalać, aby kabel zwisał z krawędzi stołu lub blatu kuchennego albo dotykał gorących powierzchni.
- Urządzenie powinno być użytkowane zgodnie z jego przeznaczeniem i tylko w domu.
- Nie przekraczać podanych maksymalnych pojemności.
- Niniejsze urządzenie nie powinno być używane przez osoby (w tym dzieci) o ograniczonych zdolnościach fizycznych, umysłowych lub o zaburzonych zmysłach, jak również przez osoby niedoświadczone i nie znające się na urządzeniu, dopóki nie zostaną one przeszkolone na temat zasad eksploatacji tego urządzenia lub nie będą nadzorowane przez osobę odpowiadającą za ich bezpieczeństwo.
- Należy sprawować kontrolę nad dziećmi, żeby nie bawiły się urządzeniem.
- Urządzenie jest przeznaczone wyłącznie do użytku domowego. Firma Kenwood nie ponosi żadnej odpowiedzialności w przypadku niewłaściwego korzystania z urządzenia lub nieprzestrzegania niniejszych instrukcji.



- Niezgodne z przeznaczeniem użycie robota / miksera może spowodować urazy.
- ## przed podłączeniem urządzenia
- Upewnić się, że napięcie sieci jest takie samo jak podane na spodzie urządzenia.
  - Urządzenie spełnia wymogi dyrektywy Wspólnoty Europejskiej nr 2004/108/WE, dotyczącej kompatybilności elektromagnetycznej oraz rozporządzenia Wspólnoty nr 1935/2004 z dnia 27 października 2004 r., dotyczącego materiałów i wyrobów przeznaczonych do kontaktu z żywnością.
- ## przed użyciem urządzenia po raz pierwszy
- 1 Zdjąć opakowanie urządzenia wraz z plastikowymi ochraniaczami noży. **Należy uważać, gdyż noże i tarcze tnące są bardzo ostre.** Ochraniacze te należy wyrzucić, gdyż służą one tylko do ochrony ostrzy podczas produkcji i transportu.
  - 2 Umyć części (patrz "czyszczenie").
  - 3 Nadmiar kabla umieścić z tyłu urządzenia.

## wykaz części

### malakser

- ① korpus
- ② wyjmowalny wałek napędzający
- ③ miska
- ④ pokrywka
- ⑤ podajnik
- ⑥ popychacz
- ⑦ blokady bezpieczeństwa
- ⑧ miejsce na kabel
- ⑨ regulator prędkości z kontrolką zasilania

### Funkcja ważenia

- ⑩ przycisk on/zero
- ⑪ wyświetlacz
- ⑫ przycisk kg/ lb
- ⑬ podstawka do ważenia

### mikser

- ⑭ zatyczka otworu do napełniania
- ⑮ pokrywka
- ⑯ naczynie
- ⑰ uszczelka
- ⑱ podstawa z nożami

### mini-rozdrabniacz/młynek (jeżeli załączona w zestawie)

- ⑲ pokrywka młynka
- ⑳ pojemnik

## dotatkowe wyposażenie

Nie wszystkie nasadki wymienione poniżej załączone są w zestawie z niniejszym robotem kuchennym nasadek załączonych w zestawie zależy od zakupionego modelu.

- 21 zespół noży tnących
- 22 narzędzie do zagniatania ciasta
- 23 podwójna metalowa trzepaczka z przekładnią
- 24 osłona maxi-blend
- 25 tarcza do krojenia na grube plasterki/siekania zgrubnego
- 26 tarcza do krojenia na cienkie plasterki/siekania na drobno
- 27 tarcza do siekania cienkich frytek (jeżeli załączona w zestawie)
- 28 tarcza do rozcierania (jeżeli załączona w zestawie)
- 29 wyciskacz do cytrusów (jeżeli załączona w zestawie)
- 30 miska mini-malaksera (jeżeli załączona w zestawie)
- 31 sokowirówka odśrodkowa (jeżeli załączona w zestawie)
- 32 karuzelowe łącze na nasadki KENSTORE™

## jak używać malaksera

- 1 Zamocować odłączalny trzonek do zespołu napędowego ❶.
  - 2 Umieścić miskę rączką do tyłu i przekręcić zgodnie z ruchem wskazówek zegara, aż się zablokuje ❷.
  - 3 Założyć na wałek wybrane narzędzie.
    - Zawsze przed włożeniem składników umieścić miskę i narzędzie na urządzeniu.
  - 4 Założyć pokrywkę ❸ tak, aby czubek wałka znajdował się w centrum pokrywki.
    - Nie należy używać pokrywki do włączania /wyłączenia urządzenia; używać tylko regulatora prędkości.
  - 5 Podłączyć wtyczkę do gniazdka sieciowego. Zaświeci się kontrolka zasilania. Włączyć urządzenie i wybrać ustawienie prędkości.
    - Urządzenie nie będzie działać, gdy miska i pokrywka nie są dobrze założone.
    - Do pracy przerywanej należy używać przycisku pracy impulsowej (P). W trybie pracy impulsowej urządzenie pracuje tak długo, jak wciśnięty jest przycisk.
  - 6 Aby zdjąć pokrywkę, narzędzia i miskę, należy powtórzyć powyższą procedurę w odwrotnej kolejności.
    - Przed zdjęciem pokrywki wyłączyć urządzenie.
- ważne**
- Urządzenie nie nadaje się do kruszenia i mielenia ziaren kawy ani do mielenia cukru na puder.
  - Dodając esencję migdałową lub inne aromaty należy uważać, aby nie dotykały części plastikowych, gdyż mogą powodować jego trwałe zabarwienie.

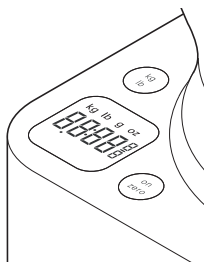
## wybór ustawienia prędkości dla poszczególnych funkcji

| Narzędzie/nasadka  | Funkcja   | Prędkość                             | Maksymalna objętość   |
|--|---|--------------------------------------|---|
| Zespół noży tnących                                      | Jednostopniowe ciasto w proszku<br>Ciasto – ucieranie tłuszczu z mąką<br>Dodanie wody w celu połączenia składników ciasta<br>Siekanie/przecieranie/pasztety | Min – Max<br>5 – Max<br>1 – 5<br>Max | Całkowita waga 1,5 kg<br>Waga mąki 340 g<br><br>Waga mięsa 600g |
| Zespół noży tnących z osłoną maxi-blend                  | Zupy – rozpocząć przy małej prędkości i zwiększać do ustawienia Max   | Min – Max                            | 1,5 litra   |
| Trzepaczka   | Białka jaj<br>Jaja z cukrem do biszkoptów bez tłuszczu<br>Śmietana  | Max<br>Max<br>5 – Max                | Białka z 6 jaj<br><br>500 ml                                    |
| Narzędzie do zagniatania ciasta                          | Mieszanki z drożdżami   | Max                                  | 600 g   |
| Tarcze – krojenie na plasterki/ siekanie/krojenie frytek | Twarde produkty, takie jak marchewka, twarde ser<br>Bardziej miękkie produkty, takie jak ogórki i pomidory  | 5 – Max<br>Min – 5                   |   |
| Tarcza do rozcierania                                    | Parmezan, ziemniaki na kopytka  | Max                                  |   |
| Wyciskarka do cytrusów                                   | Owoce cytrusowe   | 1                                    |   |
| Miska mini-malaksera i zespół noży tnących               | Wszystkie zastosowania  | Max                                  | 200 g   |
| Nasadka miksująca  | Wszystkie zastosowania  | Max                                  | 1,5 litra   |
| Mini-rozdrabniacz/młynek                                 | Wszystkie zastosowania  | Max                                  |   |
| Sokowirówka odśrodkowa                                   | Owoce i warzywa   | Max                                  | 500 g   |

## funkcja ważenia

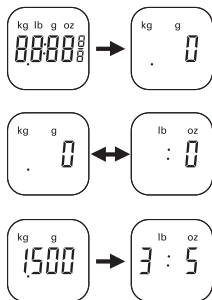
Twój robot kuchenny jest wyposażony we wbudowaną funkcję ważenia, żeby umożliwić ważenie składników prosto w misie albo w dzbanku nasadki miksującej.

- Maksymalna objętość ważonych składników wynosi 3 kg. Jest to ogólna waga wszystkich składników plus masa misy albo dzbanka.



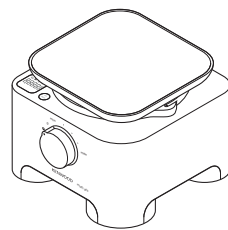
## korzystanie z funkcji ważenia

- 1 Zawsze trzeba dopasować wał napędowy, misę oraz nasadki przed dodawaniem składników lub dzbanek do płynów do agregatu zasilania przed dodawaniem składników.
  - 2 Podłącz urządzenie do prądu – wyświetlacz pozostanie czysty.
  - 3 Jednokrotnie wciśnij przycisk ON/ZERO, a wyświetlacz zacznie się świecić.
  - 4 Wciśnij przycisk (kg/lb), aby wybrać gramy lub uncje. Jeśli wybierzesz pierwszą opcję, wyświetlacz powróci do ustawienia kg/ g.
- Przedział wagowy urządzenia wynosi 2g. Odmierzając małe ilości składników, korzystaj z łyżeczki / łyżki.
- 5 Upewnij się, że wyświetlacz pokazuje '0', jeśli nie, wyzeruj go wciskając przycisk ON/ZERO. Następnie odmierz porządane składniki prosto w misie albo dzbanku. Po ukazaniu się wagi na wyświetlaczu, wciśnij przycisk ON/ZERO, a wyświetlacz powróci do ustawienia '0'. Dodaj kolejne składniki, a ukaże się ich waga. Powtarzaj, dopóki nie zważysz wszystkich składników.
- Jeśli wyświetlacz nie jest wyzerowany albo jeśli nie dodałeś składników ani nie zainstalowałeś misy/ nasadek / pokrywki, wyświetlacz będzie pokazywał [ - - - ], żeby zasygnalizować niepowodzenie odczytywania. **Aby wyzerować, wciśnij przycisk ON / ZERO jeden raz.**
- 6 Przykryj pokrywką i wybierz prędkość, aby uruchomić urządzenie.
- W trakcie działania na wyświetlaczu będzie się wyświetlać [ - - - ], dopóki regulator prędkości nie powróci do pozycji off.
  - Kiedy regulator prędkości powróci do pozycji off, na wyświetlaczu ukaże się ostatnia waga. Uwaga: będzie w tym również waga pokrywki, jeśli wyświetlacz nie zostanie wyzerowany przed włączeniem.
  - Wyświetlacz nie pokaże wagi żadnych dodatkowych składników, wrzuconych do podajnika w trakcie działania urządzenia.



## 13 podstawka do ważenia

Zdemowalna podstawka do ważenia służy do ważenia składników bez korzystania z miski lub wyciskarki. Umieść podstawkę na jednostce zasilającej i obróć zgodnie z ruchem wskazówek zegara, aż się domknie. Następnie postępuj zgodnie ze wskazówkami określonymi w krokach 2-5 'korzystanie z funkcji ważenia'.



Aby zdjąć podstawkę, przekręć ją w kierunku przeciwnym ruchowi wskazówek zegara.

### Automatyczne wyłączenie

- Wyświetlacz wyłączy się automatycznie, jeśli po pięciu minutach nadal wyświetla tę samą wagę.
- Ekran monitora można zgasić ręcznie przez naciśnięcie i przytrzymanie przycisku ON/ZERO w ciągu kilku sekund. **ważne**
- Nie przeciążaj urządzenia – nie przekraczaj maksymalnej wagi 3 kg.
- Nie narażaj jednostki zasilającej na działanie nadmiernej mocy, ponieważ może to spowodować uszkodzenie czujnika wagi.
- Zanim przystąpisz do ważenia, umieść urządzenie na suchej, poziomej powierzchni.
- Nie przesuwaj jednostki zasilającej w trakcie ważenia.

## jak używać nasadki miksującej

- 1 Załóż pierścieniec uszczelniający 17 na zespół noży tnących 18, sprawdzając poprawność umieszczenia uszczelki.
- 2 **W przypadku uszkodzenia lub nieprawidłowego założenia uszczelki nastąpi wyciek cieczy.**
- 2 Wkręć naczynie na zespół noży tnących.
- 3 Umieścić składniki w naczyniu.
- 4 Umieścić pokrywkę na dzbanku i wcisnąć, aby zabezpieczyć przed poluzowaniem 4. W otworze pokrywki umieścić zakrywkę wlewu.
- 5 Umieścić nasadkę miksującą na zespole napędowym i obrócić, aż zaskoczy 5.
- 6 Ustawić odpowiednią prędkość lub użyć przycisku pracy impulsowej.

### ważne

- **RYZIKO POPARZENIA:** Przed miksowaniem gorące składniki należy ostudzić do temperatury pokojowej.
- Aby wydłużyć żywotność nasadki miksującej, nigdy nie uruchamiać jej na dłużej niż 60 sekund. Wyłączyć zaraz po uzyskaniu pożądanej konsystencji.
- Nie miksować przypraw korzennych, gdyż spowodują one uszkodzenie plastikowej powierzchni.
- Urządzenie nie uruchomi się, jeśli nasadka miksująca zostanie nieprawidłowo zamontowana.
- Nie umieszczać suchych składników w przystawce miksującej przed jej włączeniem. W razie potrzeby pociąć wcześniej składniki na kawałki, zdjąć zakrywkę wlewu, a następnie, przy pracującym urządzeniu, kolejno je dodawać.
- Nie wykorzystywać nasadki miksującej w charakterze pojemnika do przechowywania. Przed i po użyciu nasadka miksująca powinna być opróżniona.
- Nigdy nie miksować więcej niż 1 1/2 litra cieczy (mniej w przypadku pianących się cieczy, takich jak koktajle mleczne).

#### wskazówki

- Przygotowując majonez, w blenderze należy umieścić wszystkie składniki oprócz oleju. Wyjąć zakrywkę wlewu. Następnie włączyć urządzenie i przez otwór w pokrywie powoli dodawać olej.
- Mieszaniny o gęstej konsystencji (np. paszety i dipy) mogą wymagać wyskrobania. W razie napotkania trudności przy miksowaniu dodać więcej płynu.
- Przy kruszeniu lodu użyć przycisku pracy impulsowej w trybie krótkich cykli pracy przerywanej.

### obsługa mini-rozdrabniacza/młynka (jeżeli załączona w zestawie)

Mini-rozdrabniacz/młynek można stosować do mielenia ziół, orzechów i kawy.

- 1 Włóż składniki do pojemnik napelniając nie więcej, niż do połowy .
- 2 Załóż gumową uszczelkę ⑰ w zespole ostrzy ⑱.
- 3 Obróć zespół ostrzy spodem do góry. Włóż go do stoika, ostrzami do dołu.
- 4 Nakręć podstawkę na stoik, dobrze dociągając w palcach.
- 5 Umieścić mini-rozdrabniacz/młynek na podstawie zasilającej i przekręcić do pozycji „zablokowany” ⑥.
- 6 Załącz prędkość maksymalną, względnie używaj pracy impulsowej.

#### bezpieczeństwo

- Nigdy nie zakładaj zespołu ostrzy na korpus bez założonego stoika.
- Nigdy nie odkręcać stoika, gdy mini-rozdrabniacz/młynek jest zamontowany na urządzeniu.
- Nie dotykaj ostrych brzeszczotów. Trzymaj zespół ostrzy z dala od dzieci.
- Mini-rozdrabniacz/młynek należy zdejmować wyłącznie po całkowitym zatrzymaniu się ostrzy.

#### ważne

- Długi okres użytkowania mini-rozdrabniacza/młynka można zapewnić nie używając urządzenia przez czas dłuższy niż 30 sekund. Po uzyskaniu żądanej konsystencji natychmiast wyłącz.
- Nie przerabiaj przypraw korzennych, gdyż mogą one uszkodzić tworzywo sztuczne.
- Urządzenie nie będzie działać, jeżeli mini-rozdrabniacz/młynek nie został prawidłowo zamocowany.
- Używaj wyłącznie do produktów suchych.

#### wskazówki

- Przyprawy ziołowe najlepiej się miela, gdy są czyste i suche.

### jak używać dodatkowego wyposażenia

#### ⑳ nóż/㉑ narzędzie do wyrabiania ciasta

Nóż jest narzędziem najbardziej wszechstronnym ze wszystkich. Konsystencja po przerobieniu będzie zależała od długości czasu obróbki. Aby otrzymać twardszą konsystencję, należy używać przycisku pracy impulsowej.

Noża można używać do przygotowywania ciast, siekania surowego i gotowanego mięsa, warzyw, orzechów, pasztetów, sosów, rozdrabniania zup, a także do kruszenia biszkoptów i suchego chleba. Jeśli w zestawie nie ma załączonego narzędzia do wyrabiania ciasta, można użyć do tego celu noża.

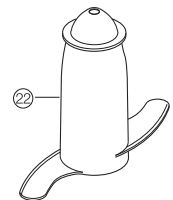
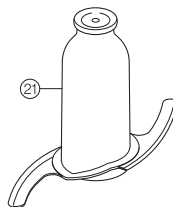
Do wyrabiania ciasta drożdżowego używać specjalnego narzędzia.

#### wskazówki nóż

- Przed przetworzeniem pociąć mięso, chleb, warzywa na kostki o wielkości ok. 2cm (3/4 cala).
- Biszkopty połamać na kawałki i dodawać, gdy urządzenie pracuje.
- Przy przygotowywaniu ciasta dodawać tłuszcz wprost z lodówki pokrojony na 2-cm kostki.
- Uważać, aby nie przetwarzać zbyt długo.

#### narzędzie do ciasta

- Umieścić suche składniki w misce i poprzez podajnik dodać płyn podczas pracy urządzenia. Przetwarzać aż do otrzymania gładkiej elastycznej kuli (60-90 sekund).
- Ponownie wyrabiać tylko ręcznie. Nie zaleca się ponownego wyrabiania w misce, gdyż urządzenie może wpaść w drgania.



#### ㉒ trzepaczka podwójna z przekładnią

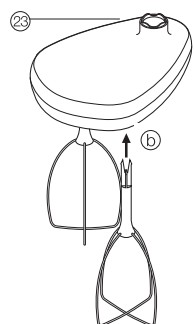
Należy używać jej tylko do lekkich mieszanek, jak białka, śmietana, mleko zagęszczone i do ubijania jajek z cukrem do biszkoptów bez tłuszczu. Cięższe mieszanki, jak tłuszcz i mąka, mogą zniszczyć trzepaczkę.

### jak używać trzepaczki

- 1 Umieścić wałek napędzający i miskę na korpusie.
- 2 Oba bijaki włożyć dobrze do głowicy napędzającej ⑬.
- 3 Założyć trzepaczkę, ostrożnie ją przekręcając, aż zaskoczy na wałku napędzającym.
- 4 Dodać składniki.
- 5 Założyć pokrywkę tak, aby koniec wałka znajdował się w centrum pokrywki.
- 6 Włączyć urządzenie.

#### ważne

- Trzepaczka nie nadaje się do przygotowywania jednostopniowych ciast w proszku ani do ucierania tłuszczu i cukru, a użycie do tego celu tej trzepaczki doprowadzi do jej uszkodzenia. Do przygotowywania ciasta należy zawsze używać zespołu noży tnących.



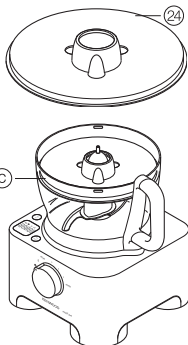
### wskaźówki

- Najlepsze rezultaty można osiągnąć wtedy, gdy jajka mają temperaturę pokojową.
- Miska i bijaki powinny być czyste przed każdym ubijaniem.

## 24 osłona maxi-blend

Podczas mieszania płynów należy używać wraz z nożem osłony maxi-blend. Pozwala to na zwiększenie objętości płynu z 1 l do 1,5 l, zapobiega wylewaniu się płynów i poprawia wydajność noża.

- 1 Umieścić wałek napędzający i miskę na korpusie.
- 2 Przymocować noż.
- 3 Włożyć składniki, które mają być przetwarzane.
- 4 Założyć osłonę nad nożem i oprzeć ją na występie wewnątrz miski **Ⓒ**. **Nie naciskać na osłonę, przytrzymywać ją za środkowy uchwyt.**
- 5 Założyć pokrywkę i włączyć urządzenie.



## tarcze krojące/siekające

**tarcze obustronne krojące /siekające – grube 25, cienkie 26**

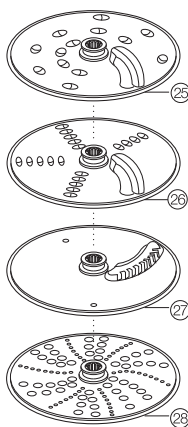
Strony siekającej należy używać do serów, marchewki, ziemniaków i żywności o podobnej konsystencji. Strony krojącej należy używać do serów, marchewki, ziemniaków, kapusty, ogórków, cukini, buraczków i cebuli.

**tarcza do drobnego siekania (styl Julienne) 27 (jeżeli załączona w zestawie)**

Służy do siekania: ziemniaków na frytki (francuski styl Julienne), twardych składników do sałatek, do dekorowania potraw, zapiekanek oraz do siekania warzyw (np. marchewki, rzepy, cukini, ogórków).

**Tarcza drobna 28 (jeżeli załączona w zestawie)**

Do tarcia parmezanu i ziemniaków na knedle.

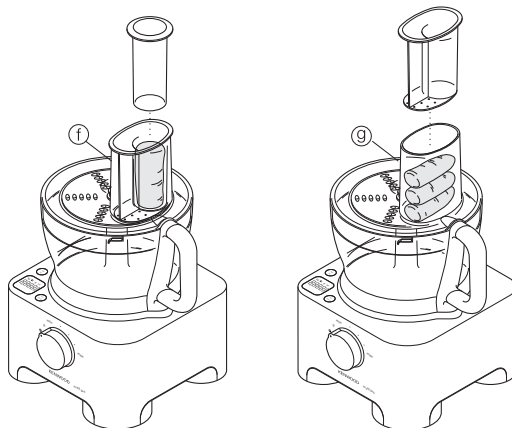
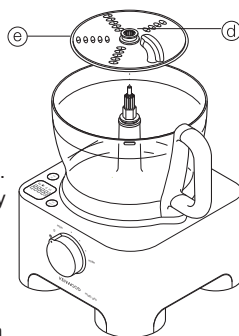


## bezpieczeństwo

- **Nigdy nie zdejmować pokrywy zanim tarcza tnąca nie zatrzyma się całkowicie.**
- **Obchodzić się ostrożnie z tarczami, gdyż są bardzo ostre.**

## jak używać tarczy tnących

- 1 Umieścić wałek napędzający i miskę na korpusie.
- 2 Trzymając tarczę za środkowy uchwyt **Ⓓ** umieścić ją na wałku odpowiednią stroną do góry **Ⓔ**.
- 3 Założyć pokrywkę.
- 4 Wybrać odpowiedni rodzaj podajnika. W popychaczu znajduje się mniejszy podajnik służący do przetwarzania pojedynczych lub cienkich składników. Aby użyć mniejszego podajnika, należy najpierw włożyć do podajnika większy popychacz. Aby użyć większego podajnika, należy użyć obu popychaczy razem.
- 5 Włożyć do podajnika żywność.
- 6 Włączyć urządzenie i płynnie popychać żywność – **nigdy nie wkładać do podajnika palców.**



### wskaźówki

- Używać świeżych składników
- Nie krajać żywności zbyt drobno. Nappełnić większy podajnik prawie do pełna. Zapobiegnie to rozsypywaniu się żywności. Ewentualnie można użyć mniejszego podajnika.
- Przy używaniu tarczy siekającej należy umieścić składniki poziomo.
- Przy krojeniu lub siekaniu żywność włożona pionowo **Ⓕ** daje mniejsze kawałki niż żywność ułożona poziomo **Ⓖ**.
- Zawsze po przetworzeniu pozostanie pewna ilość odpadów na tarczy lub w misce.



## 29 wyciskacz do cytrusów (jeżeli załączona w zestawie)

Należy używać go do wyciskania soku z owoców cytrusowych, np. z pomarańczy, cytryn, limonek i grejfrutów.

- ① stożek
- ② sitko

### jak używać wyciskacza do cytrusów

- 1 Umieścić wałek napędzający i miskę na korpusie.
- 2 Umieścić sitko w misce tak, aby jego rączka zablokowała się bezpośrednio nad rączką miski (h).
- 3 Umieścić stożek na wałku napędzającym przekręcając go tak, aby opadł całkowicie na dół (i).
- 4 Przeciąć owoc na połowę. Włączyć urządzenie i przyciskać połówkę owocu do stożka.

● **Wyciskacz do owoców nie będzie działał, jeśli sitko nie jest dobrze założone.**

## 30 miska mini-malaksera (jeżeli załączona w zestawie)

Miska mini-malaksera służy do siekania ziół i przetwarzania niewielkich ilości składników, takich jak mięso, cebula, orzechy, majonez, warzywa, puree i pokarm dla niemowląt.

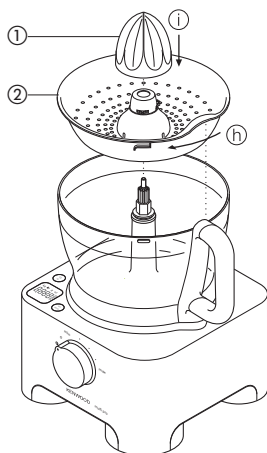
- ① zespół noży tnących miski mini-malaksera
- ② miska mini-malaksera

### jak używać miski mini-malaksera

- 1 Założyć wałek napędzający i miskę na zespół napędowy.
- 2 Założyć miskę mini-malaksera, uważając, aby żebra wewnątrz kominka mniejszej miski weszły w wycięcia kominka dużej miski (j).
- 3 Założyć zespół noży tnących na wałek napędowy (k).
- 4 Dodać składniki do przetworzenia.
- 5 Założyć pokrywę i włączyć mikser.

#### bezpieczeństwo

- Nigdy nie demontować pokrywy zanim ostrza nie przestaną wirować.
- Ostrza zespołu noży tnących są bardzo ostre, dlatego należy zawsze obchodzić się z nimi ze szczególną ostrożnością.



#### ważne

- Nie miksować przypraw korzennych, gdyż spowodują one uszkodzenie plastikowej powierzchni.
- Nie miksować twardych produktów, takich jak ziarna kawy, kostki lodu lub czekolady, gdyż mogą one spowodować uszkodzenie ostrzy.

#### wskazówki

- Zioła najlepiej mleć, gdy są czyste i suche.
- Podczas miksowania ugotowanych składników w celu sporządzenia pokarmu dla niemowląt należy zawsze dodać niewielką ilość płynu.
- Przed rozpoczęciem mielenia takie produkty, jak mięso, chleb i warzywa, należy pokroić w kostkę o boku około 1-2 cm.
- Podczas przygotowywania majonezu dodać olej przez podajnik.

## 31 metalowa sokowirówka odśrodkowa (jeżeli załączona w zestawie) (ustawić maksymalną szybkość)

Sokowirówka odśrodkowa służy do przygotowywania soku z twardych owoców i warzyw.

- ① popychacz
- ② wieczko
- ③ moduł usuwania miążgi
- ④ bęben filtra
- ⑤ wałek napędowy sokowirówki

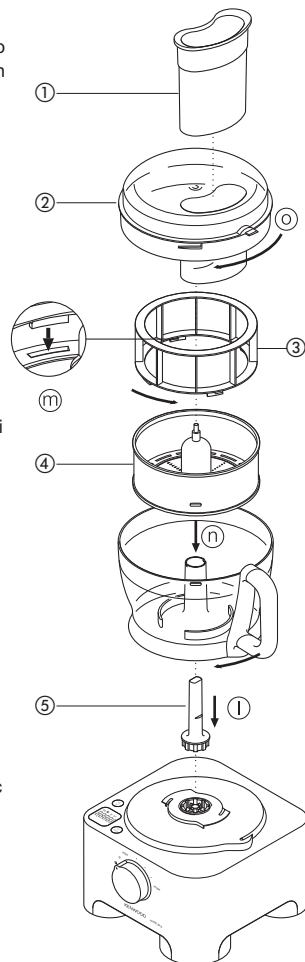
### użytkowanie sokowirówki

- 1 Umocować wałek napędzający odśrodkowa i miskę na jednostce napędzającej (l).
- 2 Umieścić moduł usuwania miążgi w bębnie filtra, upewniając się, że wypusty znalazły się w gniazdach na dnie bębna (m).
- 3 Założyć bęben filtra (n).

**Sokowirówka nie rozpocznie pracy, jeśli pokrywa będzie odblokowana.**

- 4 Założyć wieczko na miskę, aż wskoczy na swoje miejsce, a rurka do podawania znajdzie się powyżej uchwytu (o).
- 5 Pociąć składniki na kawałki, które zmieszczą się do rurki do podawania.
- 6 Włączyć urządzenie i popychać produkty równomiernie popychaczem – **nie wolno wkładać palców do rurki do podawania. Przed dodaniem dodatkowych kawałków należy dokładnie przerobić składniki w misce.**

- Po dodaniu ostatniego kawałka sokowirówkę na dalsze 20 sekund, należy pozostawić pracującą, aby cały sok wyciekł z bębna filtra.



## bezpieczeństwo

- **Nie należy eksploatować sokowirówki, jeśli filtr jest uszkodzony.**
- Ostrza tnące w podstawie bębna filtra są bardzo ostre, dlatego należy zachować szczególną ostrożność podczas obchodzenia się z bębniem i jego czyszczenia.
- Stosuj wyłącznie popychacz dostarczony w zestawie. Nigdy nie należy wkładać palców do leju wyspowego. Przed przystąpieniem do odblokowania niedrożnego leju wyjmij wtyczkę urządzenia z gniazdka sieciowego.
- Przed zdjęciem pokrywy wyłącz urządzenie i poczekaj, aż filtr się zatrzyma.

### ważne

- Jeśli sokowirówka zacznie drgać, należy ją wyłączyć i opróżnić miążgę z bębna. (Drgania sokowirówki pojawiają się, gdy miążga jest nierównomiernie rozłożona.)
- Maksymalna pojemność, którą można jednorazowo przetworzyć wynosi 500g owoców lub warzyw.
- Niektóre bardzo twarde surowce mogą spowodować zwolnienie obrotów silnika sokowirówki, a nawet jego zatrzymanie. W takim przypadku należy wyłączyć sokowirówkę i odblokować filtr.
- W trakcie pracy należy regularnie wyłączać sokowirówkę i opróżniać zbiornik miążgi.

### wskazówki

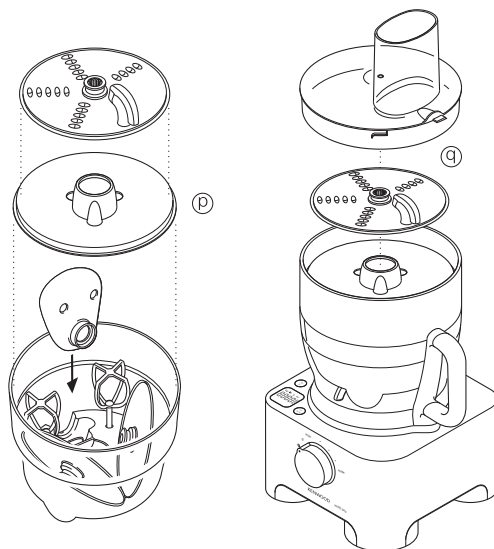
- Przed wyciskaniem soku usunąć kamyki oraz pestki (np. pieprz, melon, śliwki) oraz twardą skórkę (np. melon, ananas). Jabłek i gruszek nie trzeba obierać ze skórki lub wyciągać ich środków.
- Przerabiać jędrne i świeże owoce i warzywa.
- Sok z owoców cytrusowych jest gorzki i spieniony, ponieważ w soku jest skórka i rdzenie. Zamiast tego można użyć wyciskarkę do owoców cytrusowych.

## 32 karuzelowe łącze na nasadki KENSTORE™

Malakser jest dostarczany z karuzelowym łączem do przechowywania nasadek, która mieści się wewnątrz pojemnika.

## jak używać karuzelowego łącza na nasadki

- 1 Zamontować zespół noży tnących w pojemniku.
- 2 Następnie zamontować trzepaczkę, tarcze i osłonę w karuzelowym łączu na nasadki (P).
- 3 Zamocować karuzelowe łącze na nasadki nad zespołem noży tnących i umieścić pokrywę malaksera na górze (Q).

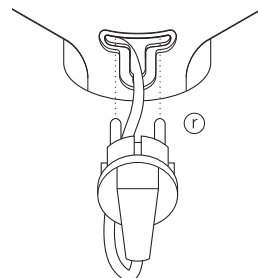


## pielęgnacja i czyszczenie

- Zawsze przed czyszczeniem należy wyłączać urządzenie i wyjmować wtyczkę.
- Ostrożnie obchodzić się z nożami i tarczami, gdyż są bardzo ostre.
- Niektóre rodzaje żywności mogą barwić plastik. Jest to normalne zjawisko i nie ma wpływu na plastik ani na smak potrawy. Aby usunąć zabarwienie, przetrzeć plastik szmatką zamoczoną w oleju roślinnym.

### korpus z silnikiem

- Wytrzeć wilgotną szmatką i osuszyć. Na blokadzie zabezpieczającej nie mogą znajdować się resztki żywności.
- Nadmiar kabla należy umieścić z tyłu urządzenia. (r)



### **mikser oraz mini-rozdrabniacz/młynek**

- 1 Przed odkręceniem od zespołu ostrzy opróżnij dzbanek/słoik.
- 2 Zmywaj ręcznie dzbanek/słoik.
- 3 Zdjąć i umyć uszczelki.
- 4 Nie dotykać ostrych noży – wyczyścić je szczoteczką w gorącej wodzie z płynem, a następnie opłukać pod bieżącą wodą. **Nie zanurzać podstawy z nożem w wodzie.**
- 5 Położyć je odwrócone, aby wyschły.

### **trzepaczka**

- Wyjąć bijaki z głowicy delikatnie je pociągając. Umyć je w ciepłej wodzie z płynem.
- Przetrzeć głowicę wilgotną szmatką i osuszyć. **Nie zanurzać jej w wodzie.**

### **inne części**

- Umyć ręcznie i osuszyć.
- Alternatywnie można je umyć na górnej półce w zmywarce do naczyń. Zaleca się krótki program o niskiej temperaturze.

## **serwis i punkty obsługi klienta**

- Ze względów bezpieczeństwa uszkodzony przewód musi zostać wymieniony przez pracownika firmy KENWOOD lub upoważnionego przez firmę KENWOOD zakładu naprawczego.
- **W razie problemów z obsługą robota, przed zatelefonowaniem do działu obsługi klienta prosimy zapoznać się ze wskazówkami w części pt. „rozwiązywanie problemów”.**

Pomocy w zakresie:

- użytkowania urządzenia lub
- czynności serwisowych bądź naprawczych
- udziela punkt sprzedaży, w którym zakupiono urządzenie.

## **rozwiązywanie problemów technicznych**

| <b>Problem</b>   | <b>Przyczyna</b>   | <b>Rozwiązanie</b>  |
|--|--|---|
| Malakser nie działa  | Brak zasilania/kontrolka zasilania nie świeci się.<br><br>Miska nie została poprawnie zamontowana.<br><br>Pokrywa nie została prawidłowo założona. | Sprawdzić, czy malakser jest podłączony do gniazda sieciowego.<br><br>Sprawdzić, czy miska znajduje się w prawidłowym położeniu, a uchwyt jest skierowany w prawo.<br><br>Sprawdzić, czy blokada pokrywy znajduje się w prawidłowym położeniu względem uchwytu.<br><br><b>Malakser nie uruchomi się, jeśli miska i pokrywa będą zamontowane nieprawidłowo.</b><br><br>Jeśli żaden z powyższych problemów nie zostanie stwierdzony, sprawdzić bezpiecznik topikowy/automatyczny w domowej instalacji elektrycznej. |
| Malakser zatrzymuje się w trakcie pracy  | Przeciążenie malaksera/przekroczenie maksymalnych pojemności.<br><br>Pokrywa nie zaskoczyła.   | Sprawdzić maksymalne pojemności podane pod nagłówkiem 'jak używać malaksera'.<br><br>Sprawdzić prawidłowość założenia pokrywy.  |
| Niezadowolająca wydajność narzędzi/nasadek   | Zapoznać się ze wskazówkami podanymi pod nagłówkiem opisującym sposób użycia określonej nasadki. Sprawdzić poprawność montażu nasadek.             |   |
| <b>Funkcja ważenia</b><br>Wyświetlacz pokazuje [- - - ]<br><br>Zmiana wagi na wyświetlaczu | Waga mierzzonego składnika jest za mała.<br><br>W trakcie działania jednostka zasilająca była przesuwana.  | W celu ważenia bardzo małych ilości korzystaj z łyżeczki i łyżki.<br><br>Nie przesuwaj w trakcie działania.<br>Zanim przystąpisz do ważenia kolejnych składników, wyzeruj wyświetlacz.  |

- Zaprojektowała i opracowała firma Kenwood w Wielkiej Brytanii.
- Wyprodukowano w Chinach.



### **UWAGI DOTYCZĄCE PRAWIDŁOWEGO USUWANIA PRODUKTU ZGODNIE Z DYREKTYWĄ EUROPEJSKĄ 2002/96/EC.**

W momencie zakończenia okresu użyteczności produktu nie należy wyrzucać go do odpadów miejskich.

Można dostarczyć go do odpowiednich ośrodków segregujących odpady przygotowanych przez władze miejskie lub do jednostek zapewniających takie usługi. Osobne usuwanie sprzętu AGD pozwala uniknąć negatywnych skutków dla środowiska naturalnego i zdrowia wynikających z jego nieodpowiedniego usuwania i umożliwia odzyskiwanie materiałów, z których jest złożony, oraz osiągnięcia w ten sposób znaczącej oszczędności energii i zasobów.

Na obowiązek osobnego usuwania sprzętu AGD wskazuje umieszczony na produkcie symbol przekreślonego pojemnika na śmieci.

# Русский

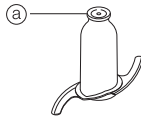
Перед прочтением откройте первую страницу с иллюстрациями

## Перед использованием электроприбора Kenwood

- Внимательно прочтите и сохраните эту инструкцию.
- Распакуйте изделие и снимите все упаковочные ярлыки.

## Безопасность работы

- Используемые ножи и диски являются очень острыми; при обращении с ними следует соблюдать крайнюю осторожность.  
**При работе и чистке всегда держите нож за ручку <sup>а</sup> сверху, как можно дальше от режущей кромки.**
- Не переносите кухонный комбайн, держа его за ручку – это может привести к поломке ручки и травме.
- Всегда снимайте нож перед тем, как наполнять чашку.
- Соблюдайте осторожность при включенных комбайне и миксере: нельзя выполнять в них какие-либо операции руками или кухонными принадлежностями.
- Выключайте прибор и отсоединяйте его от сети в следующих случаях:
  - перед установкой и снятием каких-либо частей
  - после использования
  - перед чисткой
- Никогда не проталкивайте продукты в подающей трубке с помощью пальцев. Всегда пользуйтесь для этой цели специально прилагаемым толкателем(ями).
- Перед тем, как снять крышку с чаши или миксера или мини-измельчитель/измельчителя с блока электродвигателя:-
  - выключите прибор;
  - дождитесь, чтобы все движущиеся детали/ножи остановились.
  - следите за тем, чтобы не случайно не открутить стакан миксера или мини-измельчитель/измельчитель от ножевого блока.
- РИСК ОЖОГА:** Горячие ингредиенты должны остыть до комнатной температуры перед смешиванием.
- Никогда не пользуйтесь крышкой для управления комбайном, всегда используйте для этой цели регулятор скорости.
- Воздействие на блокировочный механизм с излишним усилием может привести к поломке прибора и к травме.**
- Никогда не пользуйтесь насадками, непредусмотренными для данного прибора.
- Никогда не оставляйте включенный прибор без наблюдения.
- Никогда не пользуйтесь неисправным прибором. Прибор должен быть проверен и отремонтирован, см. раздел "Техническое обслуживание".
- Никогда не допускайте попадания влаги на силовой блок, шнур или вилку.
- Следите за тем, чтобы шнур не свешивался с края стола и не касался горячих поверхностей.
- Пользуйтесь кухонным комбайном только по назначению; не пытайтесь использовать его для других, непредусмотренных целей.
- Не загружайте в кухонный комбайн продукты в количествах, превышающих указанные нормы.
- Людям (включая детей) с ограниченными физическими, сенсорными или психическими способностями, а также при недостатке опыта и знаний разрешается пользоваться данным бытовым прибором только под наблюдением лица, ответственного за их безопасность, и после инструктажа по использованию прибора.
- Дети должны быть под присмотром и не играть с прибором.



- Этот бытовой электроприбор разрешается использовать только по его прямому назначению. Компания Kenwood не несет ответственности, если прибор используется не по назначению или не в соответствии с данной инструкцией.
- Неправильное пользование комбайном/измельчителем может привести к травме.

### Перед подключением к электросети

- Убедитесь, что напряжение в сети соответствует напряжению, указанному на нижней стороне прибора.
- Данное устройство соответствует директиве ЕС 2004/108/ЕС по электромагнитной совместимости, а также норме ЕС 1935/2004 от 27/10/2004 по материалам, предназначенным для контакта с пищевыми продуктами.

### Перед первым использованием

- Снимите всю упаковку, включая пластиковые защитные покрытия на ноже. **Будьте осторожны, поскольку ножи очень острые.** Нет необходимости хранить эти покрытия, они предназначены только для защиты ножей в процессе изготовления прибора и при транспортировке.
- Вымойте все детали, см. раздел "Уход за прибором"
- Вставьте излишнюю часть шнура в паз, расположенный на задней стороне прибора.

## Обозначения

### Комбайн

- силовой блок
- съёмный приводной вал
- чаша
- крышка
- подающая трубка
- толкатели
- защитные блокировки
- паз для шнура
- регулятор скорости со световым индикатором включения питания

### Взвешивание

- кнопка включения весов/сброса показаний
- экран индикатора
- кнопка переключения кг/фунт
- пластина для взвешивания.

### Миксер

- воронка
- крышка
- емкость
- уплотнительное кольцо
- блок с ножом

### мини-измельчитель/мельница (при наличии)

- крышка измельчителя
- чаша измельчителя

## Дополнительные насадки

**В комплект вашего кухонного комбайна могут входить не все перечисленные ниже дополнительные приспособления. Набор приспособлений зависит от модели.**

- ⑳ нож
- ㉑ насадка для вымешивания теста
- ㉒ двойной редукторный металлический венчик для взбивания
- ㉓ крышка для перемешивания на максимальной скорости
- ㉔ диск для нарезки толстых ломтиков/грубого шинкования
- ㉕ диск для нарезки тонких ломтиков/мелкого шинкования
- ㉖ диск для тонкой резки (используется при приготовлении жульенов)
- ㉗ диск-терка (при наличии)
- ㉘ редукторная соковыжималка для citrusовых (при наличии)
- ㉙ мини-чаша кухонного комбайна (при наличии)
- ㉚ центробежная соковыжималка (при наличии)
- ㉛ вращающаяся подставка KENSTORE™ для хранения насадок

## Как пользоваться кухонным комбайном

- 1 Установите съемный вал на блок электродвигателя ❶.
  - 2 Установите чашку. Поставьте ее так, чтобы ручка была сзади, и поверните по часовой стрелке до фиксации ❷.
  - 3 Установите нужную насадку на приводной вал.
    - Чашка и необходимая насадка должны устанавливаться на прибор до того, как будут добавлены продукты.
  - 4 Установите крышку ❸, следя за тем, чтобы верхняя часть приводного вала оказалась в центре крышки.
    - **Никогда не пользуйтесь крышкой для управления комбайном, всегда используйте для этой цели регулятор скорости.**
  - 5 Подсоедините прибор к электросети, при этом загорается световой индикатор включения питания. Включите прибор и выберите нужную скорость.
    - **При неправильной установке чашки и крышки комбайн не будет работать.**
    - Используйте импульсный режим (P) для коротких интенсивных перемешиваний. Машина будет работать в импульсном режиме до тех пор, пока рычажок переключателя удерживается в соответствующем положении.
  - 6 Повторите описанную выше процедуру в обратном порядке для того, чтобы снять крышку, насадки и чашку.
    - **Всегда выключайте прибор перед снятием крышки.**
- Внимание**
- Комбайн не может использоваться для того, чтобы измельчать или молоть кофейные зерна или для превращения сахарного песка в сахарную пудру.
  - При добавлении миндальной эссенции или приправы к смеси старайтесь избегать контакта с пластиковыми деталями, так как это может привести к стойкому окрашиванию.

## выбор скорости при различных вариантах использования

| Инструмент/Насадка                                       | Назначение   | Скорость  | Максимальная загрузка   |
|--|--|---|---|
| Нож  | Приготовление теста для пирогов и пирожных с однократным вымешиванием<br>Растирание жира с мукой<br>Добавление воды в различные ингредиенты теста для выпечки<br>Рубка/приготовление пюре/паштетов | Мин. – Макс.<br><br>5 – Макс.<br>1 – 5<br><br>Макс. | Общий вес - 1,5 кг/3 фунта<br>5 унций<br>Вес муки - 340 г/12 унций<br><br>Мясо - 600 г/1 фунт 6 унций |
| Нож с крышкой для перемешивания на максимальной скорости | Супы-пюре – начинайте перемешивание на низкой скорости и постепенно увеличивайте скорость до максимальной  | Мин. – Макс.  | 1,5 л/2 пинты 12 унций  |
| Венчик   | Яичные белки<br>Яйца и сахар для пресных бисквитов<br>Сливки   | Макс.<br>Макс.<br>5 – Макс.                         | 6 яичных белков<br><br>500 мл   |
| Насадка для замешивания теста                            | Дрожжевое тесто  | Макс.   | 600 г/1 фунт 6 унций  |
| Диски – нарезка/шинкование/измельчение                   | Твердые продукты – морковь, твердый сыр и т.д.<br>Более мягкие продукты - огурцы, помидоры и т.д.  | 5 – Макс.<br>Мин. – 5                               |   |
| Диск-терка   | Сыр пармезан, картофельные клецки по-немецки   | Макс.   |   |
| Соковыжималка для citrusовых                             | Цитрусовые   | 1   |   |
| Мини-чаша и нож  | Все виды обработки продуктов   | Макс.   | 200 г/8 унций   |
| Измельчитель   | Все виды обработки продуктов   | Макс.   | 1,5 л/2 пинты 12 унций  |
| Мини-измельчитель/измельчитель                           | Все виды обработки продуктов   | Макс.   |   |
| Центробежная соковыжималка                               | Фрукты и овощи   | Макс.   | 500 г/1 фунт 2 унций  |



#### советы

- При приготовлении майонеза все ингредиенты, кроме растительного масла, поместите в измельчитель. Снимите пробку горловины. Затем, при работающем приборе, медленно добавьте масло через отверстие в крышке.
- При перемешивании густых смесей, например, паштетов и соусов, возможно налипание продукта на стенки чаши. В этом случае стенки чаши следует очищать. В случае затрудненного перемешивания добавьте воды.
- При измельчении льда используйте режим коротких импульсов.

### КАК ПОЛЬЗОВАТЬСЯ МИНИ-ИЗМЕЛЬЧИТЕЛЕМ/ИЗМЕЛЬЧИТЕЛЕМ (при наличии)

мини-измельчитель/мельница для измельчения зелени, орехов и кофейных зерен.

- 1 Поместите ингредиенты в чашу измельчителя. Не заполняйте банку больше чем наполовину.
- 2 Установите уплотнительное кольцо ⑰ на ножевой блок ⑱.
- 3 Переверните ножевой блок и поместите его в банку лезвиями вниз.
- 4 Установите ножевой блок на банку и затяните от руки.
- 5 Установите мини-измельчитель/измельчитель на блок электродвигателя и поверните в положение «закрыть» ⑥.
- 6 Включите на максимальной скорости или используйте импульсный режим.

#### Безопасность работы

- Никогда не устанавливайте на машину блок ножей без закрепленного на нем кувшина.
- Ни в коем случае не откручивайте стакан, если мини-измельчитель/мельница установлен/а на блок электродвигателя.
- Не дотрагивайтесь до острых кромок ножей. Храните ножевой блок в недоступном для детей месте.
- Снимать мини-измельчитель/мельницу разрешается только после полной остановки ножей.

#### Важная информация

- Для продления срока службы мини-измельчителя/измельчителя не включайте прибор более, чем на 30 секунд. После получения необходимой консистенции, отключите машину
- Во избежание повреждения пластмассовых частей размалывать специи запрещается.
- В случае неправильной установки мини-измельчителя/измельчителя, прибор работать не будет.
- Используется только для размалывания сухих ингредиентов.

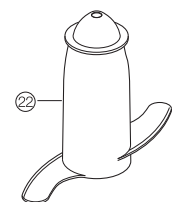
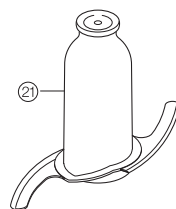
#### Советы

- Лучше перемалываются чистые и сухие травы.

## Использование насадок

### ⑳ нож/㉑ приспособление для замеса теста

Нож представляет собой наиболее универсальную насадку. Получаемая консистенция определяется продолжительностью времени обработки. При обработке более плотных ингредиентов пользуйтесь импульсным регулятором. Ножи используются для измельчения сырого и обработанного мяса, при приготовлении кондитерских изделий из сдобного теста, для овощей, орехов, паштетов, соусов, супов-пюре, а также для получения тертых сухарей. Если в комплекте не предусмотрено приспособление для замеса теста, то нож может использоваться и для дрожжевых смесей.



Если же это приспособление имеется в комплекте, то пользуйтесь ими для приготовления дрожжевых смесей.

#### Полезные советы

##### Нож

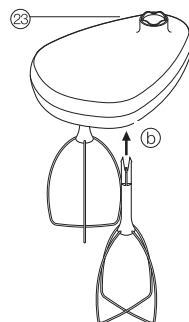
- Перед обработкой таких продуктов как мясо, хлеб, овощи порежьте их кубиками размером около 2 см.
- Сухое печенье можно разломать на кусочки и добавлять через подающую трубку в процессе работы прибора.
- При приготовлении песочного теста используйте масло и т.п., вынутое непосредственно из холодильника, порезав его на кубики размером 2 см.
- Следите, чтобы нож не перегревался.

##### Приспособление для замеса теста

- Разместите сухие ингредиенты в чашке и добавляйте жидкость в процессе работы прибора. Продолжайте до тех пор пока не образуется гладкий упругий ком теста, что занимает обычно 60-90 секунд.
- Повторно замешивать следует только руками. Не рекомендуется выполнять повторное замешивание в чашке, так как это может привести к неустойчивой работе комбайна.

### ㉒ Взбивалка с двумя венчиками (с приводом)

Предназначена только для негустых смесей, например, яичных белков, крема, сгущенного молока и для взбивания яиц с сахаром для нежирных бисквитов. При использовании с более плотными смесями может произойти поломка.



## Использование взбивалки

- 1 Установите приводной вал и чашку на силовой блок.
- 2 Надежно вставьте каждый венчик в головку с приводом ①.
- 3 Установите взбивалку, осторожно поворачивая ее, пока она не опустится на приводной вал.
- 4 Положите нужные ингредиенты.
- 5 Установите крышку, следя за тем, чтобы торец вала оказался в центре крышки.
- 6 Включите прибор.

### важная информация

- Венчик нельзя использовать для приготовления теста для пирогов с однократным вымешиванием, а также для взбивания жира с сахаром, поскольку в этом случае возможно его повреждение. Для замешивания теста для пирогов всегда используйте нож.

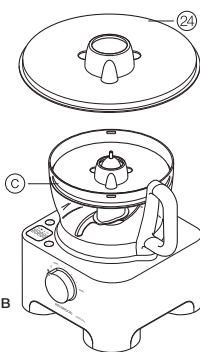
### Полезные советы

- Для получения оптимального результата яйца должны иметь комнатную температуру.
- Прежде чем взбивать, убедитесь, что чашка и взбивалка являются чистыми и нежирными.

## 24 Крышка для приготовления смесей большого объема

При смешивании жидкостей пользуйтесь специальной крышкой вместе с ножом для приготовления смесей большого объема. Это позволит Вам увеличить допустимый объем от 1 л до 1,5 л, избежать выплескивания жидкости и повысить качество резки ножа.

- 1 Установите приводной вал и чашку на силовой блок.
- 2 Установите нож.
- 3 Добавьте нужные ингредиенты.
- 4 Установите крышку для больших объемов над верхней частью ножа, следя за тем, чтобы она опиралась на выступ внутри чашки **с**. **Нельзя надавливать на крышку, следует держать ее за ручку в центре.**
- 5 Установите крышку чашки и включите прибор.



## Диски для нарезки

### Переверачиваемые диски для нарезки ломтиками/резания - крупная нарезка

25, мелкая нарезка 26

Используйте сторону для резания при обработке сыров, моркови, картофеля и других продуктов аналогичной структуры.

Используйте сторону для нарезки ломтиками при обработке сыров, моркови, картофеля, капусты, огурцов, кабачков, свеклы и репчатого лука.

### Диск для нарезки соломкой 27 (при наличии)

Используется для нарезки тонкой соломкой картофеля, твердых ингредиентов для салатов, гарниров, запеканок и т.п. (например, морковь, брюква, кабачки, огурцы).

### Диск-терка 28 (при наличии)

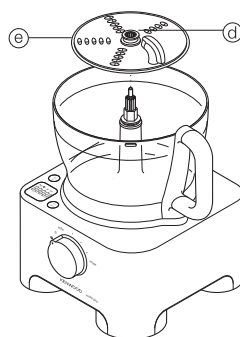
Для натирания сыра типа пармезан и картофеля для клецек.

## Безопасность работы

- **Никогда не снимайте крышку прежде, чем произойдет полная остановка режущего диска.**
- **Диски являются очень острыми и требуют крайне осторожного обращения**

## Использование режущих дисков

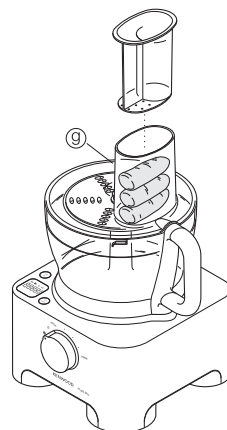
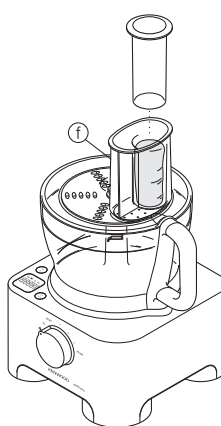
- 1 Установите приводной вал и чашку на силовой блок.
- 2 Держась за ручку **d** в центре, установите диск на приводной вал нужной стороной вверх **e**.
- 3 Установите крышку.
- 4 Выберите подающую трубку нужного размера. Внутри толкателя имеется маленькая подающая трубка, которая используется при обработке отдельных компонентов или тонких ингредиентов.



Для использования маленькой подающей трубки следует сначала вставить большой толкатель внутрь подающей трубки.

Для использования большой подающей трубки - воспользуйтесь обоими толкателями совместно.

- 5 Положите продукты в подающую трубку.
- 6 Включите прибор и равномерно нажимайте вниз на толкатель; **никогда не допускайте, чтобы Ваши пальцы оказались в подающей трубке.**



### Полезные советы

- Используйте свежие продукты.
- Не режьте продукты слишком мелко. Заполняйте большую подающую трубку равномерно по всей ширине. Тем самым предотвращается смещение продуктов в сторону при обработке. Можно также использовать маленькую подающую трубку.
- При использовании диска для нарезки кладите ингредиенты горизонтально.
- При нарезке ломтиками и резании: продукты, размещаемые вертикально **f**, будут нарезаны более короткими кусочками, чем продукты, размещаемые горизонтально **g**.
- В чашке или на тарелке после обработки всегда остается небольшое количество продуктов.



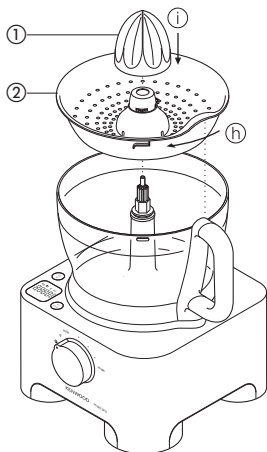
## 29 соковыжималка для цитрусовых (при наличии)

Предназначен для выжимания сока из цитрусовых фруктов (например, апельсинов, лимонов, лайма и грейпфрутов).

- ① конус
- ② сито

### Использование соковыжималки для цитрусовых

- 1 Установите приводной вал и чашку на силовой блок.
  - 2 Установите сито в чашку, следя за тем, чтобы ручка сита была зафиксирована в положении, находящемся строго над ручкой чашки ①.
  - 3 Установите конус над приводным валом, вращая его до тех пор, пока он не опустится до конца вниз ①.
  - 4 Разрежьте фрукты пополам. Затем включите прибор и нажимайте разрезанной половинкой на конус.
- **Пресс не будет работать, если сито не зафиксировано должным образом.**



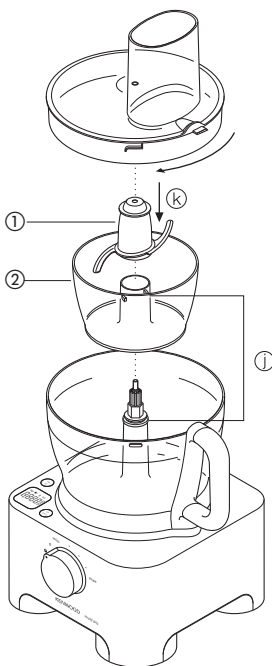
## 30 мини-чаша кухонного комбайна (при наличии)

Мини-чаша кухонного комбайна используется для измельчения зелени и обработки малых количеств таких ингредиентов, как мясо, лук, орехи, майонез, овощи, пюре, соусы и детское питание.

- ① нож мини-чашы кухонного комбайна
- ② мини-чаша кухонного комбайна

### Как пользоваться мини-чашей кухонного комбайна

- 1 Установите приводной вал и чашу на блок электродвигателя.
- 2 Установите мини-чашу кухонного комбайна и убедитесь в том, что ребра, расположенные на внутренней стороне трубки мини-чашы, вошли в пазы основной трубки ①.
- 3 Установите нож на приводной вал ②.
- 4 Добавьте ингредиенты, которые должны быть обработаны.
- 5 Установите крышку и включите кухонный комбайн.



### меры безопасности

- Запрещается снимать крышку до полной остановки ножей.
- Лезвия ножа остро заточены. Соблюдайте осторожность.

### важная информация

- Данный электроприбор не предназначен для измельчения специй, поскольку они могут повредить пластмассовые поверхности прибора.
- Электроприбор также не предназначен для измельчения твердых продуктов, таких как кофейные зерна, кубики льда или шоколад, поскольку они могут повредить нож.

### советы

- Измельчаемая зелень должна быть чистой и сухой.
- При смешивании вареных продуктов для приготовления детского питания добавьте немного жидкости.
- Такие продукты как мясо, хлеб и овощи перед обработкой следует порезать на кубики размером около 1-2 см.
- При приготовлении майонеза заливаете масло через подающую трубку.

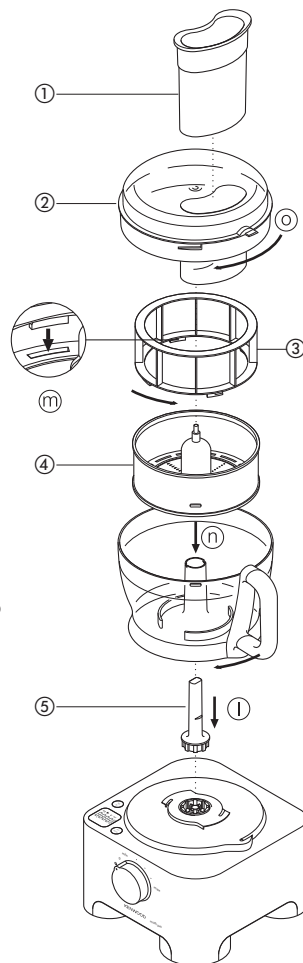
## 31 Центробежная соковыжималка (при наличии) (включай на полную скорость)

Соковыжималка с центрифужной позволяет получать сок из твердых фруктов и овощей.

- ① проталкиватель
- ② крышка
- ③ Устройство для удаления мякоти
- ④ Барабан фильтра
- ⑤ ведущий вал

### Как пользоваться центробежной соковыжималкой

- 1 Установите ведущий вал и чашу на блок электродвигателя ①.
- 2 Вставьте устройство для удаления мякоти в барабан фильтра - убедитесь, что скобы вошли в гнезда в основании барабана ②.
- 3 Вставьте барабанный фильтр ③. **Соковыжималка не будет работать если крышка не защелкнута.**
- 4 Наденьте на чашу крышку, поверните ее так, чтобы она защелкнулась и подающая трубка села на ручку ④.
- 5 Порежьте продукты на мелкие кусочки, чтобы они могли входить в подающую трубку.
- 6 Включите машину, и равномерно проталкивайте нарезанные продукты вниз с помощью проталкивателя - **никогда используйте пальцы для проталкивания пищи в подающую трубку.** Перед тем как загрузить новую порцию, полностью обработайте уже загруженную.



- После добавления последнего кусочка, дайте соковыжималке поработать еще 20 секунд для того, чтобы вывести остатки сока из фильтра.

## Меры безопасности

- **Использовать соковыжималку с поврежденным фильтром запрещается.**
- Режущие ножи в основании барабана фильтра очень острые, поэтому при работе с ними и чистке барабана следует соблюдать особую осторожность.
- Пользуйтесь только прилагаемым толкателем. Запрещается вставлять пальцы в трубку для подачи. Перед очисткой трубки для подачи выньте вилку из розетки.
- Прежде чем снять крышку, выключите соковыжималку и дождитесь остановки фильтра.

### Важная информация

- Если соковыжималка начнет вибрировать, выключите ее и удалите мякоть из барабана. (Если мякоть распределена неравномерно, соковыжималка начинает вибрировать).
- За один раз можно обрабатывать до 500 г фруктов или овощей.
- Загрузка очень твердых продуктов может привести к замедлению вращения или остановке прибора. В подобных случаях следует отключить прибор и разблокировать фильтр.
- Во время использования необходимо регулярно отключать прибор и проводить чистку устройства для сбора мякоти.

### Советы

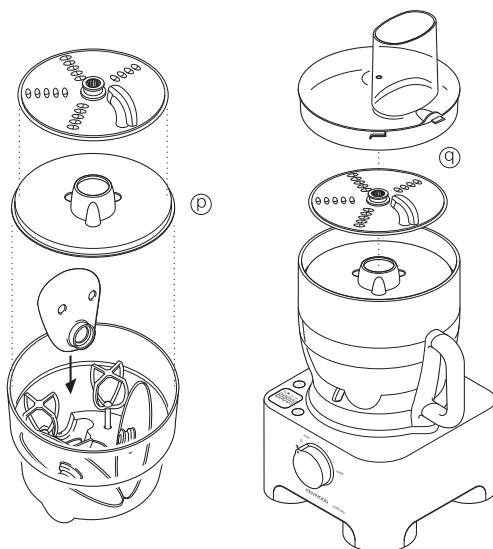
- Перед обработкой продукта удалите косточки и семечки (например, перец, дыня, слива) и жесткую кожуру (например, дыня, ананас). Не нужно очищать от кожуры и удалять сердцевину яблок и груш.
- Используйте твердые, свежие фрукты и овощи.
- Сок цитрусовых будет горьким и вспененным из-за того, что при получении сока также обрабатывается мякоть и косточки плодов. Пользуйтесь соковыжималкой для цитрусовых.

## 32 Вращающаяся подставка для хранения насадок KENSTORE™

В комплекте кухонного комбайна имеется вращающаяся подставка для хранения насадок. Подставка помещается внутрь чаши.

## Как пользоваться вращающейся подставкой для хранения насадок

- 1 Установите нож в чашу.
- 2 Затем установите венчик, диски и крышку для перемешивания на максимальной скорости на вращающуюся подставку ②.
- 3 Установите вращающуюся подставку сверху на нож и поместите сверху крышку кухонного комбайна ④.

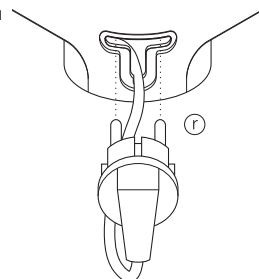


## Уход за прибором

- Перед чисткой прибора всегда выключайте его и отсоединяйте от сети.
- Диски и ножи являются очень острыми и требуют крайне осторожного обращения.
- Некоторые продукты могут обесцвечивать пластиковые детали. Это считается нормальным явлением, не приводит к повреждению деталей и не влияет на вкус пищи. Для удаления обесцвеченного пятна потрите его тканью, смоченной растительным маслом.

### Силовой блок

- Протрите влажной тряпкой, а затем насухо. Следите за тем, чтобы зона вблизи блокировочного механизма не была засорена остатками пищи.
- Избыточная часть шнура питания должна находиться в специальном пазу, расположенном на задней стороне прибора ①.



### миксер и мини-измельчитель/измельчитель

- 1 Опорожните кувшин/чашку перед тем как отвернуть от блока ножей.
- 2 Вымойте кувшин/чашку руками.
- 3 Снимите уплотняющие прокладки и промойте их
- 4 Не дотрагивайтесь до острых ножей; почистите их щеткой с горячей мыльной водой, а затем тщательно ополосните в проточной воде под краном. **Не опускайте блок с ножом в воду.**
- 5 Оставьте сушиться в перевернутом положении.

### Взбивалка с двумя венчиками (с приводом)

- Отсоедините венчики от головки привода, осторожно потянув за них. Вымойте их в теплой мыльной воде.
- Протрите головку привода влажной тряпкой, а затем вытрите ее насухо.

**Не опускайте головку привода в воду.**

### Прочие детали

- Вымойте руками, а затем высушите.
- Уплотняющие прокладки также можно мыть на верхней полке посудомоечной машины. Рекомендуется использовать короткую программу с низкой температурой.



### ВАЖНАЯ ИНФОРМАЦИЯ ПО ПРАВИЛЬНОЙ УТИЛИЗАЦИИ ИЗДЕЛИЯ СОГЛАСНО ДИРЕКТИВЕ ЕС 2002/96/ЕС.

По истечении срока службы изделие нельзя выбрасывать как бытовые (городские) отходы.

Изделие следует передать в специальный коммунальный пункт раздельного сбора отходов местное учреждение или в предприятие, оказывающее подобные услуги. Отдельная утилизация бытовых приборов позволяет предотвратить возможные негативные последствия для окружающей среды и здоровья, которыми чревата ненадлежащая утилизация, и позволяет восстановить материалы, входящие в составе изделий, обеспечивая значительную экономию энергии и ресурсов. В качестве напоминания о необходимости отдельной утилизации бытовых приборов на изделие нанесен знак в виде перечеркнутого мусорного бака на колесах.

## Обслуживание и забота о покупателях

- При повреждении шнура в целях безопасности он должен быть заменен в представительстве компании или в специализированной мастерской по ремонту агрегатов KENWOOD.
- **Перед обращением за помощью в сервисную службу по поводу каких-либо неисправностей, возникших во время эксплуатации кухонного комбайна, попытайтесь устранить их как указано ниже в инструкции по поиску и устранению неисправностей.**

Если вам нужна помощь в:

- пользовании прибором или
- техобслуживании или ремонте,
- обратитесь в магазин, в котором вы приобрели прибор.
- Спроектировано и разработано компанией Kenwood, Соединенное Королевство.
- Сделано в Китае.

## Руководство по нахождению и устранению неисправностей

| Проблема   | Причина   | Решение  |
|--|---|--|
| Кухонный комбайн не работает   | <p>Не подается питающее напряжение/не горит световой индикатор.</p> <p>Чаша не зафиксирована.</p> <p>Крышка не зафиксирована.</p> | <p>Убедитесь в том, что кухонный комбайн подключен к электросети</p> <p>Убедитесь в том, что чаша установлена правильно, и что ручка чаши находится справа.</p> <p>Убедитесь в том, что фиксатор крышки расположен в области ручки.</p> <p><b>При неправильной установке чаши и крышки кухонный комбайн работать не будет.</b></p> <p>Если ни одна из описанных выше проверок не выявила причину проблемы, проверьте плавкие предохранители или автоматический выключатель в вашем доме.</p> |
| Кухонный комбайн останавливается во время работы   | <p>Кухонный комбайн перегружен/загрузка выше допустимой нормы.</p> <p>Не зафиксирована крышка.</p>                                | <p>Проверьте максимальные значения загрузки, указанные в разделе "Как пользоваться кухонным комбайном".</p> <p>Убедитесь в том, что крышка правильно зафиксирована.</p>  |
| Неудовлетворительная работа инструментов/насадок   | См. советы в соответствующем разделе "Использование насадок". Убедитесь в том, что насадки установлены правильно.                 |  |
| <p><b>Функция взвешивания</b></p> <p>При на экране индикатора застыло изображение [- - -]</p> <p>На экране изменяется значение веса.</p> | <p>Вес ингредиента слишком мал.</p> <p>В процессе взвешивания или работы сместился силовой блок.</p>                              | <p>Для отмеривания малых количеств ингредиентов используйте в качестве мерных средств чайные или столовые ложки.</p> <p>Не двигайте блок в процессе использования.</p> <p>Перед взвешиванием другого ингредиента не забудьте сбросить предыдущее значение веса.</p>  |

# Ελληνικά

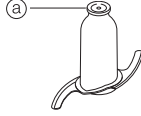
**Πριν από την ανάγνωση, παρακαλώ ξεδιπλώστε την μπροστινή σελίδα όπου παρέχεται η εικονογράφηση**

## πριν χρησιμοποιήσετε τη συσκευή Kenwood

- Διαβάστε προσεκτικά αυτές τις οδηγίες και φυλάξτε τις για μελλοντική αναφορά.
- Αφαιρέστε τη συσκευασία και τις ετικέτες.

## Ασφάλεια

- Οι λεπίδες και οι δίσκοι είναι κοφτεροί, χρησιμοποιήστε τους με προσοχή. **Να κρατάτε πάντα τη λεπίδα κοπής από τη λαβή <sup>ⓐ</sup> στην κορυφή μακριά από το κοφτερό άκρο, τόσο κατά τη διάρκεια της χρήσης όσο και του καθαρισμού.**
- Μη σηκώνετε και μη μεταφέρετε τον επεξεργαστή τροφίμων από τη λαβή – η λαβή μπορεί να σπάσει με αποτέλεσμα να τραυματιστείτε.
- Αφαιρείτε πάντα τη λεπίδα κοπής πριν βγάλετε τα περιεχόμενα από το μπολ.
- Μη βάζετε τα χέρια σας ή άλλα εξαρτήματα στο μπολ του επεξεργαστή και στην κανάτα ενώ είναι συνδεδεμένα στο ρεύμα.
- Σβήστε τη συσκευή και βγάλτε τη από την πρίζα:
  - πριν τοποθετήσετε ή αφαιρέσετε εξαρτήματα
  - μετά τη χρήση
  - πριν το καθαρίσμα
- Ποτέ μη χρησιμοποιείτε τα δάχτυλά σας για να σπρώξετε τα τρόφιμα στο σωλήνα τροφοδοσίας. Χρησιμοποιείτε πάντα τον ωθητήρα/ες που παρέχεται.
- Προτού αφαιρέσετε το καπάκι από το μπωλ ή το μπλέντερ ή τον μίνι κόφτη/τον μύλο από τη μονάδα τροφοδοσίας:-
  - σβήστε τη συσκευή
  - περιμένετε μέχρι να σταματήσουν εντελώς όλα τα εξαρτήματα/λεπίδες
  - προσέξτε να μην ξεβιδώσετε την κανάτα του μπλέντερ ή τον μίνι κόφτη/μύλο από τη μονάδα της λεπίδας.
- **ΚΙΝΔΥΝΟΣ ΕΓΚΑΥΜΑΤΟΣ:** Θα πρέπει να αφήνετε τα καυτά υλικά να κρυώσουν έως ότου φθάσουν σε θερμοκρασία δωματίου, προτού τα αναμίξετε.
- Μη χρησιμοποιείτε το καπάκι για να λειτουργήσετε τον επεξεργαστή τροφίμων, χρησιμοποιείτε πάντα τον επιλογέα ταχύτητας on/off.
- **Η συσκευή θα πάθει βλάβη και μπορεί να προκαλέσει τραυματισμό αν ο μηχανισμός ασφάλισης υποβληθεί σε πίεση μεγαλύτερη από αυτή που απαιτείται.**
- Μη χρησιμοποιείτε ποτέ ένα μη εγκεκριμένο εξάρτημα.
- Μην αφήνετε ποτέ τη συσκευή αναμμένη χωρίς επίβλεψη.
- Μη χρησιμοποιείτε ποτέ μια συσκευή που έχει βλάβη. Θα πρέπει να ελεγχθεί ή να επισκευαστεί. Βλέπε "σέρβις".
- Μην αφήσετε ποτέ να βραχεί η συσκευή, το καλώδιο ή το φιλ.
- Μην αφήνετε το πλεονάζον καλώδιο να κρέμεται στην άκρη του πάγκου εργασίας ή να ακουμπά σε ζεστές επιφάνειες.
- Μην κάνετε λανθασμένη χρήση του επεξεργαστή τροφίμων και χρησιμοποιήστε τον μόνο για την οικιακή χρήση για την οποία προορίζεται.
- Μην υπερβαίνετε τις μέγιστες ποσότητες που αναφέρονται.
- Η συσκευή αυτή δεν προορίζεται για χρήση από άτομα (συμπεριλαμβανομένων των παιδιών) με περιορισμένες φυσικές, αισθητήριες ή διανοητικές ικανότητες ή έλλειψη εμπειρίας και γνώσεων, παρά μόνον εάν βρίσκονται υπό την επίβλεψη ατόμου που είναι υπεύθυνο για την ασφάλειά τους ή ακολουθούν τις οδηγίες του σχετικά με τη λειτουργία της συσκευής.



- Τα παιδιά θα πρέπει να βρίσκονται υπό παρακολούθηση, έτσι ώστε να διασφαλίζεται ότι δεν παίζουν με τη συσκευή.
- χρησιμοποιείτε τη συσκευή μόνο για την οικιακή χρήση για την οποία προορίζεται. Η Kenwood δε φέρει οποιαδήποτε ευθύνη αν η συσκευή χρησιμοποιηθεί με λανθασμένο τρόπο ή σε περίπτωση μη συμμόρφωσης με αυτές τις οδηγίες.
- Η κακή χρήση του μίξερ/μπλέντερ μπορεί να προκαλέσει τραυματισμό.

## Πριν βάλετε τη συσκευή στην πρίζα

- Βεβαιωθείτε ότι η παροχή ηλεκτρικού ρεύματος είναι η ίδια όπως αυτή που φαίνεται στο κάτω μέρος της συσκευής σας.
- Αυτή η συσκευή συμμορφώνεται με την οδηγία της ΕΚ 2004/108/ΕΚ σχετικά με την Ηλεκτρομαγνητική συμβατότητα και τον κανονισμό ΕΚ υπ' αριθμόν 1935/2004 της 27/10/2004 σχετικά με τα υλικά που προορίζονται να έρθουν σε επαφή με τρόφιμα.

## Πριν χρησιμοποιήσετε τη συσκευή για πρώτη φορά

- 1 Αφαιρέστε όλα τα περιτυλίγματα της συσκευασίας συμπεριλαμβανομένων και των πλαστικών καλυμμάτων των λεπίδων κοπής.  
**Προσέξτε πολύ διότι οι λεπίδες είναι πολύ κοφτερές.** Αυτά τα καλύμματα θα πρέπει να πεταχτούν καθώς η χρήση τους είναι να προστατεύουν την λεπίδα μόνο κατά τη διάρκεια της κατασκευής και μεταφοράς.
- 2 Πλύνετε τα εξαρτήματα: βλέπε καθαρισμό.
- 3 Τυλίξτε το καλώδιο που περισσεύει στο χώρο αποθήκευσης στο πίσω μέρος της συσκευής.

## Περιγραφή

### Επεξεργαστής

- ① κεντρική μονάδα
- ② αποσπώμενος άξονας επεξεργαστή
- ③ μπωλ
- ④ καπάκι
- ⑤ σωλήνας τροφοδοσίας
- ⑥ ωθητήρες
- ⑦ μάνταλα ασφαλείας
- ⑧ αποθήκευση καλωδίου
- ⑨ διακόπτης επιλογής ταχυτήτων με ενδεικτική λυχνία λειτουργίας

### Λειτουργία ζυγίσματος

- ⑩ κουμπί ενεργοποίησης/μηδενισμού
- ⑪ οθόνη
- ⑫ κουμπί λη/μβ
- ⑬ δίσκος ζυγίσματος

### Μπλέντερ

- ⑭ άνοιγμα γεμίσματος
- ⑮ καπάκι
- ⑯ κανάτα
- ⑰ δακτύλιος σφραγίσματος
- ⑱ μονάδα κοπής

### μίνι κόφτης/μύλος (αν παρέχεται)

- ⑲ καπάκι μύλου
- ⑳ δοχείο

## Επιπλέον εξαρτήματα

Ενδέχεται να μην συμπεριλαμβάνονται όλα τα εξαρτήματα που αναφέρονται παρακάτω στο μίξερ. Τα εξαρτήματα εξαρτώνται από το μοντέλο.

- 21 λεπίδα μαχαιριού
- 22 εργαλείο ζύμης
- 23 μεταλλικό χτυπητήρι με μηχανισμό δύο αναδευτήρων
- 24 κάλυμμα για μεγάλης διάρκειας ανάμιξη
- 25 δίσκος τεμαχισμού σε χοντρές φέτες/λωρίδες
- 26 δίσκος τεμαχισμού σε λεπτές φέτες/λωρίδες
- 27 δίσκος τεμαχισμού σε πολύ μικρά κομμάτια (αν παρέχεται)
- 28 δίσκος τριψίματος (αν παρέχεται)
- 29 λεμονοσύφτης με μηχανισμό (αν παρέχεται)
- 30 μικρό μπωλ επεξεργασίας τροφίμων (αν παρέχεται)
- 31 αποχρωμτής (αν παρέχεται)
- 32 περιστρεφόμενος αποθηκευτικός χώρος εξαρτημάτων KENSTORE™

## Χρήση του επεξεργαστή τροφίμων

- 1 Ταιριάξτε την αποσπώμενη λαβή στη μονάδα τροφοδοσίας 1.
- 2 Μετά τοποθετήστε το μπολ. Τοποθετήστε τη λαβή προς τα πίσω και γυρίστε το δεξόστροφα μέχρι να ασφαλίσει 2.
- 3 Τοποθετήστε ένα εξάρτημα πάνω από τον άξονα του επεξεργαστή τροφίμων.
  - Πάντοτε εφαρμόζετε το μπολ και το εξάρτημα στη συσκευή πριν προσθέσετε τα υλικά.
- 4 Τοποθετήστε το καπάκι 3 - και βεβαιωθείτε ότι ο άξονας του επεξεργαστή βρίσκεται στο κέντρο από το καπάκι.
  - **Μη χρησιμοποιείτε το καπάκι για να χειριστείτε τον επεξεργαστή, χρησιμοποιείτε πάντα τον επιλογέα ταχύτητας on/off.**
- 5 Συνδέστε τη συσκευή στο ρεύμα και θα ανάψει η ενδεικτική λυχνία λειτουργίας. Θέστε σε λειτουργία τη συσκευή και επιλέξτε ταχύτητα.
  - **Αν δεν τοποθετήσετε σωστά το μπολ και το καπάκι ο επεξεργαστής τροφίμων δεν θα λειτουργήσει.**
  - Χρησιμοποιείτε τη λειτουργία παλμικής κίνησης (P) για διακεκομμένη λειτουργία του μπλέντερ με σύντομο πάτημα του διακόπτη κάθε φορά. Η λειτουργία παλμικής κίνησης διαρκεί όσο ο διακόπτης εξακολουθεί να είναι πατημένος.
- 6 Αντιστρέψτε την παραπάνω διαδικασία για να αφαιρέσετε το καπάκι, τα εξαρτήματα και το μπολ.
  - **Σβήνετε πάντοτε τη συσκευή πριν αφαιρέσετε το καπάκι.**

### Σημαντικό

- Ο επεξεργαστής σας δεν είναι κατάλληλος για κοπή ή άλεσμα κόκκων καφέ, ή για μετατροπή κρυσταλλικής ζάχαρης σε ζάχαρη άχνη.
- Όταν προσθέτετε εσάνς ή άρωμα αμυγδάλου σε μείγματα, αποφύγετε την επαφή με το πλαστικό γιατί μπορεί να δημιουργήσει μόνιμα σημάδια.

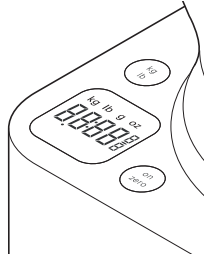
## επιλέγοντας ταχύτητα για όλες τις λειτουργίες

| Εργαλείο/Εξάρτημα   | Λειτουργία  | Ταχύτητα                                 | Μέγιστες Ποσότητες   |
|---|---|--|--|
| Λεπίδα Μαχαιριού  | Μίγμα για Κέικ με Ανάμιξη Όλων μαζί των Υλικών Ζαχαροπλαστική – προσθήκη βουτύρου σε αλεύρι Προσθήκη νερού για την ανάμιξη των υλικών ζαχαροπλαστικής Τεμαχισμός/Παρασκευή πουρέ/πατέ | Min – Max<br>5 – Max<br>1 – 5<br><br>Max | 1,5 κιλό Συνολικό Βάρος<br>340γρ Βάρος Αλευριού<br><br>600γρ Κρέας |
| Λεπίδα Μαχαιριού με κάλυμμα για μεγάλης διάρκειας ανάμιξη | Σούπες – ξεκινήστε στη χαμηλή ταχύτητα και σταδιακά ανεβείτε στη μέγιστη (Max)  | Min – Max                                | 1,5 λίτρο  |
| Χτυπητήρι   | Ασπράδια Αυγών<br>Αυγό ζάχαρη για αφράτα κέικ χωρίς λιπαρά<br>Κρέμα   | Max<br>Max<br>5 – Max                    | 6 Ασπράδια Αυγών<br>500 mls  |
| Εργαλείο ζύμης  | Μίγματα με μαγιά  | Max                                      | 600γρ  |
| Δίσκοι τεμαχισμού – σε φέτες/λωρίδες/μικρά κομμάτια       | Σκληρές τροφές όπως καρότα, σκληρό τυρί<br>Μαλακότερες τροφές όπως αγγούρια, ντομάτες   | 5 – Max<br>Min – 5                       |  |
| Δίσκος τριψίματος   | Τυρί παρμεζάνα, Πατάτες για πιτάκια με ζύμη   | Max                                      |  |
| Λεμονοσύφτης  | Εσπεριδοειδή  | 1  |  |
| Μικρό Μπωλ μαχαίρι  | Επεξεργασία όλων των τροφών   | Max                                      | 200γρ  |
| Μπλέντερ  | Επεξεργασία όλων των τροφών   | Max                                      | 1,5 λίτρο  |
| Μίνι κόφτης/Μύλος   | Επεξεργασία όλων των τροφών   | Max                                      |  |
| Αποχρωμτής  | Φρούτα Λαχανικά   | Max                                      | 500γρ  |

## Λειτουργία ζυγίσματος

Το πολυμίξερ σας διαθέτει ενσωματωμένη λειτουργία ζυγίσματος που σας δίνει τη δυνατότητα να ζυγίζετε τα υλικά απευθείας μέσα στο μπολ ή την κανάτα του μπλέντερ.

- Η μέγιστη ποσότητα που μπορεί να ζυγιστεί είναι 3 Λη. Η τιμή αυτή περιλαμβάνει το συνολικό βάρος όλων των υλικών μαζί με το βάρος του μπολ ή της κανάτας.

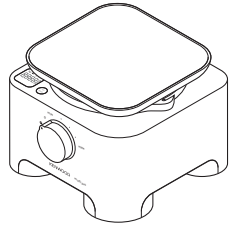


## Πώς χρησιμοποιείται η λειτουργία ζυγίσματος

- 1 Πάντα να τοποθετείτε τον άξονα κίνησης, το μπολ και το εξάρτημα ή την κανάτα του μπλέντερ επάνω στη μονάδα του μοτέρ, προτού προσθέσετε τα υλικά.
- 2 Βάλτε τη συσκευή στην πρίζα – η οθόνη θα παραμείνει κενή.
- 3 Πατήστε το κουμπί ON/ ZERO (ενεργοποίησης/μηδενισμού) μία φορά και η οθόνη θα ανάψει.
- 4 Πατήστε το κουμπί λη/μβ για να επιλέξετε είτε γραμμάρια είτε ουγκιές. Η προκαθορισμένη ρύθμιση της οθόνης, όταν ανάβει για πρώτη φορά, είναι λη/η.
- Η μονάδα ζυγίζει ποσότητες με διαβαθμίσεις των 2 η. Για να ζυγίζετε μικρές ποσότητες, σας συνιστούμε να χρησιμοποιείτε ως μέτρο κουταλάκι του γλυκού και κουτάλι της σούπας.
- 5 Βεβαιωθείτε ότι στην οθόνη εμφανίζεται η ένδειξη '0', εάν όχι, μηδενίστε πατώντας το κουμπί ON/ZERO. Στη συνέχεια, ζυγίστε τα απαραίτητα υλικά κατευθείαν μέσα στο μπολ ή την κανάτα. Μόλις εμφανιστεί η ένδειξη βάρους, πατήστε το κουμπί ON/ ZERO και η ένδειξη θα επιστρέψει στο '0'. Προσθέστε τα επόμενα υλικά και θα εμφανιστεί η ένδειξη βάρους τους. Επαναλάβετε μέχρις ότου ζυγιστούν όλα τα υλικά.
- Εάν δεν έχει μηδενιστεί η οθόνη και εάν τα υλικά ή το μπολ/εξάρτημα/καπάκι αφαιρεθούν, στην οθόνη θα εμφανιστεί η ένδειξη [ - - - ] που υποδεικνύει αρνητική τιμή. **Για να μηδενίσετε, πατήστε μία φορά το κουμπί ON/ZERO.**
- 6 Βάλτε το καπάκι και επιλέξτε μία ταχύτητα για να λειτουργήσει το πολυμίξερ.
- Κατά τη διάρκεια της λειτουργίας, η οθόνη εμφανίζει σταθερά την ένδειξη [ - - - ], μέχρις ότου το κουμπί ελέγχου ταχύτητας επιστρέψει στη θέση off.
- Αφού ολοκληρωθεί η διαδικασία, το τελικό βάρος εμφανίζεται στην οθόνη όταν το κουμπί ελέγχου ταχύτητας επιστρέψει στη θέση off. Σημείωση: Το βάρος που έχει το καπάκι συνυπολογίζεται, εάν η ένδειξη δεν έχει μηδενιστεί πριν από την ενεργοποίηση της συσκευής.
- Το βάρος των επιπλέον υλικών που προστίθενται μέσω της ειδικής υποδοχής ενώ το πολυμίξερ λειτουργεί δεν εμφανίζεται στην οθόνη.

## 13 δίσκος ζυγίσματος

Το πολυμίξερ διαθέτει αποσπώμενο δίσκο ζυγίσματος, για να ζυγίζετε τα υλικά χωρίς να χρησιμοποιείτε το μπολ ή την κανάτα. Για να τον χρησιμοποιήσετε, τοποθετήστε το δίσκο πάνω στη μονάδα του μοτέρ και στρέψτε δεξιόστροφα για να ασφαλίσει. Στη συνέχεια ακολουθήστε τα βήματα 2 έως 5 της ενότητας «πώς χρησιμοποιείται η λειτουργία ζυγίσματος» Για να αφαιρέσετε το δίσκο ζυγίσματος, στρέψτε τον αριστερόστροφα και ανασηκώστε τον.



### αυτόματη απενεργοποίηση

- Η οθόνη θα σβήσει αυτόματα, εάν η ίδια ένδειξη βάρους εμφανίζεται για περισσότερο από 5 λεπτά.
- Μπορείτε να σβήσετε την οθόνη μη αυτόματα, πατώντας και κρατώντας πατημένο το κουμπί ON/ZERO για μερικά δευτερόλεπτα.

### σημαντικό

- Μην υπερφορτώνετε τη συσκευή, ξεπερνώντας τη μέγιστη ποσότητα ζυγίσματος των 3 Kg.
- Μην ασκείτε υπερβολική δύναμη επάνω στη μονάδα μοτέρ, καθώς μπορεί να προκληθεί βλάβη στον αισθητήρα ζυγίσματος.
- Τοποθετείτε πάντα το πολυμίξερ πάνω σε στεγνή επίπεδη επιφάνεια, προτού ζυγίσετε τα υλικά.
- Μην μετακινείτε τη μονάδα μοτέρ κατά τη διάρκεια της λειτουργίας ζυγίσματος.

## για να χρησιμοποιήσετε το μπλέντερ

- 1 Προσαρμόστε τον δακτύλιο ερμητικού κλεισίματος 17 μέσα στη μονάδα των λεπίδων 18 – βεβαιωθείτε ότι η ασφάλεια έχει τοποθετηθεί σωστά.
- Εάν η ασφάλεια έχει υποστεί φθορά ή δεν είναι σωστά προσαρμοσμένη θα υπάρξει διαρροή.
- 2 Βιδώστε την κανάτα επάνω στη μονάδα των λεπίδων.
- 3 Τοποθετήστε τα υλικά σας μέσα στην κανάτα.
- 4 Τοποθετήστε το καπάκι στο κύπελλο και πιέστε το προς τα κάτω για να ασφαλίσει στη θέση του 4. Τοποθετήστε το καπάκι του πώματος-μεζούρα.
- 5 Τοποθετήστε το μπλέντερ επάνω στη μονάδα του κινητήρα και στρέψτε για να ασφαλίσει 5.
- 6 Επιλέξτε ταχύτητα ή χρησιμοποιήστε τον διακόπτη παλμικής κίνησης.

### σημαντικό

- **ΚΙΝΔΥΝΟΣ ΕΓΚΑΥΜΑΤΟΣ:** Θα πρέπει να αφήνετε τα καυτά υλικά να κρυώσουν έως ότου φθάσουν σε θερμοκρασία δωματίου, προτού τα αναμειξετε.
- Για να διασφαλίσετε μεγάλη διάρκεια ζωής για το μπλέντερ σας, ποτέ μην το αφήνετε σε λειτουργία για περισσότερο από 60 δευτερόλεπτα. Θέστε εκτός λειτουργίας τη συσκευή μόλις το μίγμα αποκτήσει τη σωστή υφή.
- Μην επεξεργάζεστε μπαχαρικά – μπορεί να προκαλέσουν φθορά στο πλαστικό.
- Η συσκευή δεν τίθεται σε λειτουργία εάν το μπλέντερ δεν έχει προσαρμοστεί σωστά.
- Μην τοποθετείτε ζηρά υλικά μέσα στο μπλέντερ πριν θέσετε σε λειτουργία τη συσκευή. Εάν χρειάζεται, τεμαχίστε τα σε κομμάτια, αφαιρέστε το πώμα μεζούρα, έπειτα ενώ η συσκευή είναι σε λειτουργία, ρίξτε τα στην οπή ένα-ένα.
- Μη χρησιμοποιείτε το μπλέντερ ως αποθηκευτικό δοχείο. Να το διατηρείτε άδειο πριν και μετά από τη χρήση.

- Ποτέ μην αναμιγνύετε ποσότητες πάνω από 1 1/2 λίτρο – μικρότερες ποσότητες όταν πρόκειται για υγρά με αφρό όπως μιλκσέικ.

#### πρακτικές συμβουλές

- Όταν φτιάχνετε μαγιονέζα, ρίξτε όλα τα υλικά στο μπλέντερ, εκτός από το λάδι. Αφαιρέστε το πώμα-μεζούρα. Στη συνέχεια, ενώ η συσκευή λειτουργεί, προσθέστε το λάδι σιγά-σιγά μέσω του ανοίγματος στο καπάκι.
- Μπορεί να χρειαστεί να αφαιρέτε από τα τοιχώματα ποσότητα από τα παχύρρευστα μίγματα, π.χ. πατέ και σάλτσες για ντιπ. Εάν η επεξεργασία τους είναι δύσκολη, προσθέστε κι άλλο υγρό.
- Όταν θρυμματίζετε πάγο χρησιμοποιείτε τη λειτουργία παλμικής κίνησης με σύντομο πάτημα του διακόπτη κάθε φορά.

## πώς να χρησιμοποιήσετε τον μίνι κόφτη/μύλο σας (αν παρέχεται)

Χρησιμοποιήστε τον μίνι κόφτη/μύλο για να αλέσετε αρωματικά βότανα, ξηρούς καρπούς και κόκκους καφέ.

- 1 Τοποθετήστε τα υλικά μέσα στο δοχείο. Μην το γεμίζετε παραπάνω από το μισό.
- 2 Προσαρμόστε τον δακτύλιο ερμητικού κλεισίματος ⑰ μέσα στη μονάδα λεπίδας ⑱.
- 3 Αναποδογυρίστε τη μονάδα λεπίδας. Κατεβάστε τη μέσα στο βάζο, με τις λεπίδες προς τα κάτω.
- 4 Βιδώστε τη μονάδα λεπίδας επάνω στο βάζο ώστε να μη μπορείτε να την ξεβιδώσετε με τα δάχτυλά σας.
- 5 Τοποθετήστε τον μίνι κόφτη/μύλο επάνω στη μονάδα τροφοδοσίας και στρέψτε το κουμπί στη θέση ασφάλισης ⑥.
- 6 Θέστε τη συσκευή σε λειτουργία στη μέγιστη ταχύτητα ή χρησιμοποιήστε τον παλμικό διακόπτη.

#### Ασφάλεια

- Ποτέ μην προσαρμόζετε τη μονάδα λεπίδας στη συσκευή χωρίς να έχετε προσαρμόσει το βάζο.
- Μην ξεβιδώνετε ποτέ την κανάτα ενόσω ο μίνι κόφτης/μύλος είναι τοποθετημένος στο μηχανήμα.
- Μην αγγίζετε τις κοφτερές λεπίδες. Κρατήστε τη μονάδα λεπίδας μακριά από τα παιδιά.
- Μην αφαιρέτε ποτέ τον μίνι κόφτη/μύλο έως ότου οι λεπίδες σταματήσουν εντελώς να περιστρέφονται.

#### σημαντική πληροφορία

- Για να εξασφαλίσετε μεγάλη διάρκεια ζωής για τον μίνι κόφτη/μύλο, μην αφήνετε ποτέ τη συσκευή να λειτουργεί για περισσότερο από 30 δευτερόλεπτα. Να θέτετε τη συσκευή εκτός λειτουργίας μόλις επιτευχθεί ο επιθυμητός βαθμός αλέσματος.
- Μην επεξεργάζεστε μπαχαρικά - μπορεί να προκαλέσουν φθορά στο πλαστικό.
- Το μηχανήμα δεν θα λειτουργήσει εάν δεν τοποθετηθεί σωστά ο μίνι κόφτης/μύλος.
- Χρησιμοποιείτε τον μόνο για ξηρά υλικά.

#### πρακτικές συμβουλές

- Τα μυρωδικά αλέθονται καλύτερα όταν τα καθαρίσετε και τα στεγνώσετε.

## Χρήση των εξαρτημάτων

### ⑰ Λεπίδα κοπής/⑱ εργαλείο ζυμώματος

Αυτή η λεπίδα είναι το πιο χρηστικό εξάρτημα απ' όλα. Η υφή της τροφής εξαρτάται από το χρόνο επεξεργασίας. Για πιο χοντροκομμένα μίγματα χρησιμοποιήστε το διακόπτη "στιγμιαίας λειτουργίας".

Χρησιμοποιήστε τη λεπίδα κοπής για παρασκευή κέικ και γλυκών, για κόψιμο ωμού και μαγειρεμένου κρέατος, λαχανικών, ξηρών καρπών, πατέ, ντιπ, πολτοποιήση σούπας και επίσης για να θρυμματίζετε μπισκότα και ψωμί. Μπορεί επίσης να χρησιμοποιηθεί για μίγματα ζύμης με μαγιά αν δεν παρέχεται το εργαλείο ζυμώματος.

Χρησιμοποιήστε το εργαλείο ζυμώματος για μίγματα με μαγιά.

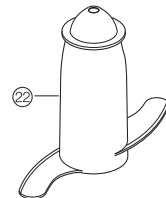
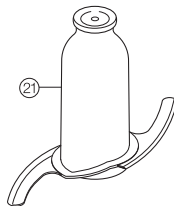
#### Συμβουλές

##### Λεπίδα κοπής

- Κόψτε τα τρόφιμα όπως το κρέας, το ψωμί, τα λαχανικά σε κύβους των 2 εκ. πριν την επεξεργασία.
- Θα πρέπει να κόψετε τα μπισκότα σε κομμάτια και να τα προσθέσετε στο σωλήνα τροφοδοσίας ενώ η συσκευή λειτουργεί.
- Όταν φτιάχνετε γλυκά χρησιμοποιήστε βούτυρο κατευθείαν από το ψυγείο σε κύβους των 2 εκ.
- Προσέχετε να μην αφήσετε τον επεξεργαστή να λειτουργεί περισσότερο απ' ό,τι πρέπει.

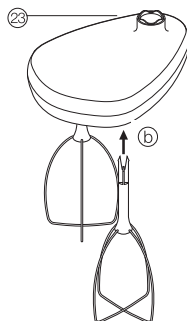
##### Εργαλείο ζυμώματος

- Τοποθετήστε τα στεγνά υλικά στο μπολ και προσθέστε τα υγρά από το σωλήνα τροφοδοσίας ενώ η συσκευή λειτουργεί. Αφήστε το να λειτουργήσει μέχρι να δημιουργηθεί μια απαλή ελαστική μπάλα ζύμης. Ο χρόνος που θα χρειαστεί είναι περίπου 60-90 δευτερόλεπτα.
- Ξαναζυμώστε μόνο με το χέρι. Το ξαναζύμωμα στο μπολ δεν συνιστάται γιατί ο επεξεργαστής μπορεί να γίνει ασταθής.



### ⑳ Διπλός αναδευτήρας

Χρησιμοποιείται για ελαφρά μίγματα όπως π.χ. ασπράδια αυγών, κρέμα, παστεριωμένο γάλα, και για χτύπημα αυγών και ζάχαρης για άπαχα παντεσπάνια. Τα βαρύτερα μίγματα όπως λίπος και αλεύρι θα του προκαλέσουν βλάβη.



## Χρήση του αναδευτήρα

- 1 Εφαρμόστε τον άξονα και το μπολ πάνω στην κεντρική μονάδα.
- 2 Τοποθετήστε κάθε εξάρτημα ανακατέματος ξεχωριστά πάνω στην κεφαλή ⑥.
- 3 Εφαρμόστε τον αναδευτήρα γυρίζοντάς τον προσεκτικά μέχρι να τοποθετηθεί πάνω στον άξονα.
- 4 Προσθέστε τα υλικά.
- 5 Κλείστε το καπάκι - βεβαιωθείτε ότι το άκρο του άξονα βρίσκεται στο κέντρο από το καπάκι.
- 6 Λειτουργήστε τη συσκευή.



### σημαντική πληροφορία


- Το χυπητήρι δεν είναι κατάλληλο για την παρασκευή κέικ που απαιτούν ανάμιξη όλων μαζί των υλικών καθώς επίσης ούτε για την παρασκευή κρέμας με ζάχαρη και λιπαρά επειδή τα μίγματα αυτά το φθείρουν. Χρησιμοποιείτε πάντα τη λεπίδα του μαχαιριού για την παρασκευή κέικ.

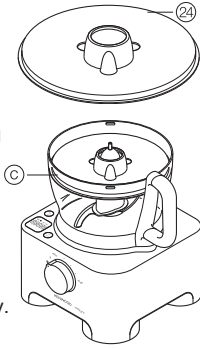
### Συμβουλές

- Επιτυγχάνετε καλύτερα αποτελέσματα όταν τα αυγά είναι σε θερμοκρασία δωματίου.
- Βεβαιωθείτε ότι το μπολ και οι αναδευτήρες είναι καθαροί και δεν έχουν υπολείμματα από λίπος πριν το ανακάτεμα.

## 24 Αναμείκτης

Όταν ανακατεύετε υγρά χρησιμοποιήστε τον αναμείκτη σε συνδυασμό με την λεπίδα κοπής. Σας επιτρέπεται να αυξήσετε την ικανότητα επεξεργασίας υγρών στο μπολ από 1 λίτρα σε 1,5 λίτρα, εμποδίζει τη διαρροή και βελτιώνει την απόδοση κοπής της λεπίδας.

- 1 Τοποθετήστε τον άξονα και το μπολ πάνω στην κεντρική μονάδα.
- 2 Τοποθετήστε τη λεπίδα κοπής.
- 3 Προσθέστε τα υλικά που θα αναμιχθούν.
- 4 Τοποθετήστε τον αναμείκτη πάνω από τη λεπίδα κοπής και βεβαιωθείτε ότι στηρίζεται στο περιθώριο μέσα στο μπολ . **Μην πιέζετε τον αναμείκτη προς τα κάτω, κρατήστε τον από την κεντρική λαβή.**
- 5 Εφαρμόστε το καπάκι και λειτουργήστε τη συσκευή.



## Δίσκοι κοψίματος / τριψίματος

### Αντιστρέψιμοι δίσκοι κοψίματος/τριψίματος - χοντροί , λεπτοί

Χρησιμοποιήστε το δίσκο τριψίματος για τυρί, καρότα, πατάτες και τρόφιμα παρόμοια υφής.

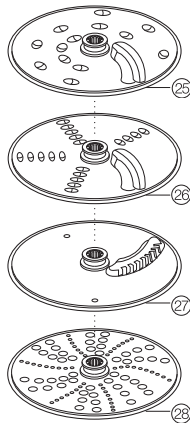
Χρησιμοποιήστε το δίσκο κοψίματος για τυρί, καρότα, πατάτες, λάχανο, αγγούρι, κολοκυθάκια, παντζάρια και κρεμμύδια.

### Δίσκος λεπτού κοψίματος (κόψιμο Κφμιεξζε) (αν παρέχεται)

Χρησιμοποιείται για κόψιμο: για πατάτες τηγανητές σε σιελ Κφμιεξζε, σκληρά υλικά για σαλάτες, γαρνιτούρες, φαγητά κατσαρόλας και τηγανητά (καρότα, ραπανάκια, κολοκυθάκια, αγγούρια).

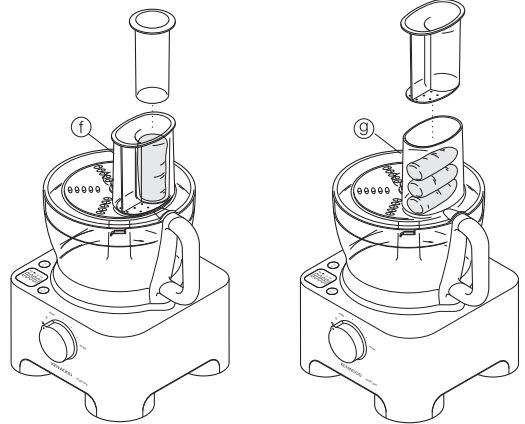
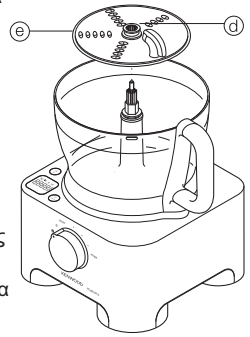
### Δίσκος ψιλού τριψίματος (αν παρέχεται)

Τρίβει τυρί παρμεζάνα και πατάτες για Γερμανικούς λουκουμάδες.





## Χρήση των δίσκων κοπής

- 1 Τοποθετήστε τον άξονα και το μπολ στην κεντρική μονάδα.
- 2 Κρατώντας τον από την κεντρική λαβή , τοποθετήστε το δίσκο πάνω στον άξονα με την κατάλληλη πλευρά από πάνω .
- 3 Εφαρμόστε το καπάκι.
- 4 Επιλέξτε τον επιθυμητό σωλήνα τροφοδοσίας. Ο ωθητήρας περιέχει ένα μικρότερο σωλήνα τροφοδοσίας για την επεξεργασία ξεχωριστών υλικών ή λεπτών συστατικών. Για να χρησιμοποιήσετε το μικρό σωλήνα τροφοδοσίας - τοποθετήστε πρώτα το μεγάλο ωθητήρα μέσα στο σωλήνα τροφοδοσίας. Για να χρησιμοποιήσετε το μεγάλο σωλήνα τροφοδοσίας - χρησιμοποιήστε και τους δύο ωθητήρες μαζί.
- 5 Τοποθετήστε τα τρόφιμα στο σωλήνα τροφοδοσίας.
- 6 Λειτουργήστε τη συσκευή και πιέστε τα τρόφιμα με τον ωθητήρα ομοιόμορφα προς τα κάτω - **μη βάζετε ποτέ τα δάχτυλά σας στο σωλήνα τροφοδοσίας.**



### Συμβουλές

- Χρησιμοποιήστε φρέσκα υλικά.
- Μην κόβετε τα τρόφιμα πολύ μικρά. Γεμίστε το μεγάλο σωλήνα τροφοδοσίας σχεδόν ως επάνω. Αυτό εμποδίζει τα τρόφιμα από το να γλιστρούν στο πλάι κατά την διάρκεια της κοπής. Εναλλακτικά χρησιμοποιήστε το μικρό σωλήνα τροφοδοσίας.
- Όταν χρησιμοποιείτε το δίσκο κοψίματος, τοποθετήστε τα υλικά οριζοντίως.
- Όταν κόβετε ή τρίβετε: τα τρόφιμα που τοποθετούνται κάθετα  βγαίνουν μικρότερα απ' ό,τι τα τρόφιμα που τοποθετούνται οριζόντια .
- Μετά τη χρήση του δίσκου κοπής θα παραμένει πάντα λίγη ποσότητα που δεν μπορεί να χρησιμοποιηθεί στο δίσκο ή στο μπολ.

## Ασφάλεια

- Μη βγάξετε ποτέ το καπάκι αν δεν έχουν σταματήσει εντελώς οι δίσκοι κοπής.
- Κρατήστε τους δίσκους κοπής με προσοχή - είναι εξαιρετικά κοφτεροί.

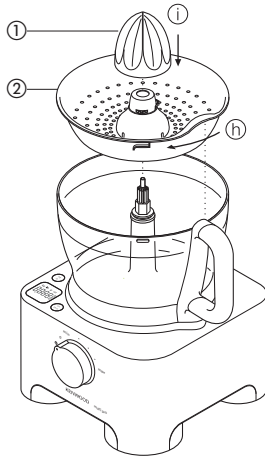
## 29 Λεμονοστήφης (αν παρέχεται)

Ο λεμονοστήφης χρησιμοποιείται για το στύψιμο εσπεριδοειδών, (π.χ. πορτοκάλια, λεμόνια, κίτρα και γκρέιπφρουτ).

- 1 κώνος
- 2 σουρωτήρι

### Χρήση του λεμονοστήφης

- 1 Τοποθετήστε τον άξονα και το μπολ στην κεντρική μονάδα.
  - 2 Τοποθετήστε το σουρωτήρι στο μπολ - βεβαιωθείτε ότι η λαβή του σουρωτηριού έχει ασφαλίσει στη σωστή θέση ακριβώς πάνω από τη λαβή του μπολ (h).
  - 3 Τοποθετήστε τον κώνο στον άξονα γυρίζοντάς τον έως ότου φτάσει μέχρι κάτω (i).
  - 4 Κόψτε τα φρούτα στη μέση. Ανάψτε τη συσκευή και πιέστε τα φρούτα στον κώνο.
- Ο λεμονοστήφης δε θα λειτουργήσει αν το σουρωτήρι δεν έχει ασφαλίσει κανονικά.



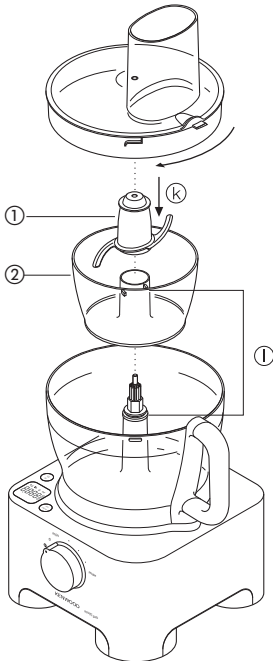
## 30 μικρό μπωλ επεξεργασίας τροφίμων (αν παρέχεται)

Χρησιμοποιείτε το μικρό μπωλ επεξεργασίας τροφίμων για να τεμαχίζετε μυρωδικά και να επεξεργάζεστε μικρές ποσότητες υλικών π.χ. κρέας, κρεμμύδι, ξηρούς καρπούς, μαγιονέζα, λαχανικά, πουρέ, σάλτσες και τροφή για μωρά.

- 1 μικρή λεπίδα μαχαιριού επεξεργασίας τροφών
- 2 μικρό μπωλ επεξεργασίας τροφίμων

### για να χρησιμοποιήσετε το μικρό μπωλ επεξεργασίας τροφίμων

- 1 Προσαρμόστε τον κινητήριο άξονα και το μπωλ επάνω στη μονάδα του κινητήρα.
- 2 Προσαρμόστε το μικρό μπωλ επεξεργασίας τροφίμων – βεβαιωθείτε ότι οι ραβδώσεις στο εσωτερικό του λαιμού του μικρού μπωλ είναι ευθυγραμμισμένες με τις εγκοπές στον λαιμό του βασικού μπωλ (j).
- 3 Τοποθετήστε τη λεπίδα του μαχαιριού πάνω από τον κινητήριο άξονα (k).
- 4 Προσθέστε τα υλικά που πρόκειται να επεξεργαστείτε.
- 5 Προσαρμόστε το καπάκι και θέστε σε λειτουργία τη συσκευή.



### ασφάλεια

- Ποτέ μην αφαιρείτε το καπάκι μέχρι να σταματήσει τελείως να κινείται η λεπίδα του μαχαιριού.
- Η λεπίδα του μαχαιριού είναι πολύ κοφτερή – να τη χειρίζεστε πάντα με προσοχή.

### σημαντική πληροφορία

- Μην επεξεργάζεστε μπαχαρικά – μπορεί να προκαλέσουν φθορά στο πλαστικό.
- Μην επεξεργάζεστε σκληρές τροφές όπως κόκκους καφέ, παγάκια ή σοκολάτα – μπορεί να προκαλέσουν φθορά στη λεπίδα.

### πρακτικές συμβουλές

- Τα μυρωδικά τεμαχίζονται πιο εύκολα όταν είναι καθαρισμένα και στεγνά.
- Να προσθέτετε πάντα λίγο υγρό όταν πολτοποιείτε μαγειρεμένα υλικά για να φτιάξετε τροφή για μωρά.
- Να τεμαχίζετε τροφές όπως κρέας, ψωμί, λαχανικά σε κύβους μεγέθους περίπου 1-2 γν πριν τις επεξεργαστείτε.
- Όταν φτιάχνετε μαγιονέζα προσθέτετε το λάδι από τον σωλήνα τροφοδοσίας.

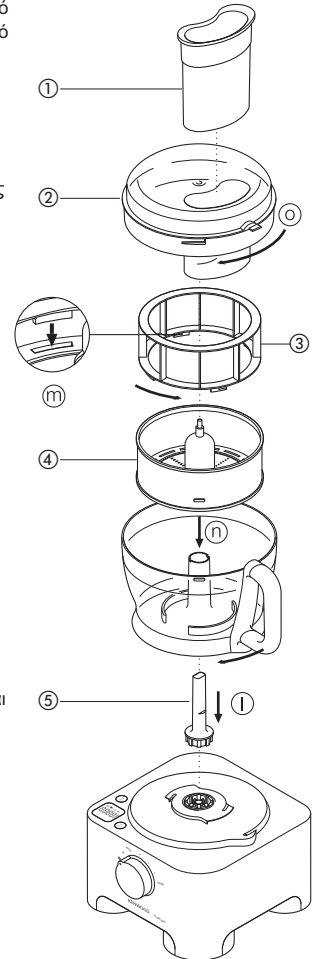
## 31 μεταλλικός φυγοκεντρικός στείφτης (αν παρέχεται) (χρησιμοποιήστε τη μέγιστη ταχύτητα)

Χρησιμοποιήστε το φυγοκεντρικό στείφτη για να κάνετε χυμό από σκληρά φρούτα και λαχανικά.

- 1 ωστήρας
- 2 καπάκι
- 3 μονάδα αφαίρεσης πολτού
- 4 κάδος φίλτρου
- 5 κινητήριοι άξονες σπειρίματος

### για να χρησιμοποιήσετε τον αποχυμωτή

- 1 Προσαρμόστε τον κινητήριο άξονα και το μπωλ επάνω στη μονάδα του κινητήρα (l).
- 2 Τοποθετήστε τη μονάδα αφαίρεσης πολτού στον κάδο του φίλτρου – διασφαλίζοντας πως οι γλώσσες ταιριάζουν με τις υποδοχές στη βάση του κάδου (m).
- 3 Τοποθετήστε τον κάδο του φίλτρου (n). Ο στείφτης σας δε θα λειτουργήσει αν το καπάκι είναι ξεκλειδωτό.
- 4 Τοποθετήστε το καπάκι για τα εξαρτήματα επάνω στο μπωλ, στρέψτε μέχρι να ασφαλίσει και ο σωλήνας τροφοδοσίας να βρίσκεται πάνω από τη λαβή (o).
- 5 Κόψτε την τροφή σε μικρά κομμάτια ώστε να χωρούν στον σωλήνα τροφοδοσίας.
- 6 Θέστε τη συσκευή σε λειτουργία και στρώστε την τροφή προς τα κάτω με τον ωστήρα ασκώντας σταθερή πίεση – **ποτέ μη βάζετε τα δάχτυλά σας μέσα στον σωλήνα τροφοδοσίας.** Επεξεργαστείτε πλήρως την τροφή πριν προσθέσετε κι άλλη ποσότητα.



- Μετά που θα προσθέσετε το τελευταίο κομμάτι, αφήστε τον αποχυμωτή να λειτουργήσει για ακόμα 20 δευτερόλεπτα για να εξαχθεί όλος ο χυμός από τον κάδο του φίλτρου.

## ασφάλεια

- **Μη χρησιμοποιείτε τον αποχυμωτή αν το φίλτρο έχει υποστεί φθορά.**
  - Οι κοπτικές λεπίδες στη βάση του κάδου του φίλτρου είναι πολύ κοφτερές, προσέξτε κατά το χειρισμό και τον καθαρισμό του κάδου.
  - Χρησιμοποιείτε μόνο τον ωστήρα που συνοδεύει τη συσκευή. Μη βάζετε ποτέ τα δάχτυλα του χεριού σας μέσα στο σωλήνα τροφοδοσίας. Αποσυνδέστε τη συσκευή από την πρίζα πριν να ξεμπλοκάρετε το σωλήνα τροφοδοσίας.
  - Πριν αφαιρέσετε το καπάκι, σβήστε τη συσκευή και περιμένετε μέχρις ότου σταματήσει να κινείται το φίλτρο.
- σημαντική πληροφορία**
- Αν ο αποχυμωτής αρχίσει να δονείται, σβήστε τον και αδειάστε τον πολύ από τον κάδο. (Ο αποχυμωτής δονείται αν ο πολτός δεν είναι ομοιόμορφα διανεμημένος).
  - Η μέγιστη χωρητικότητα που μπορεί να επεξεργαστεί η συσκευή ανά φορά είναι 500gr φρούτων ή λαχανικών.
  - Μερικά πολύ σκληρά φρούτα μπορεί να επιβραδύνουν ή και να σταματήσουν τον αποχυμωτή σας. Αν συμβεί αυτό σβήστε τη συσκευή και αποφράξτε το φίλτρο.
  - Να σβήνετε τακτικά τη συσκευή και να καθαρίζετε τη μονάδα συλλογής πολτού κατά τη χρήση.

### πρακτικές συμβουλές

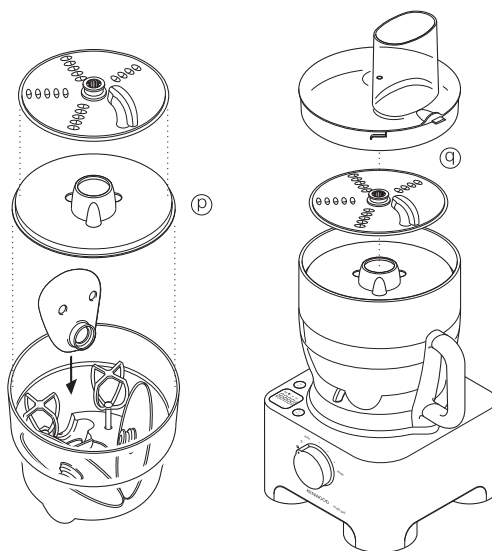
- Πριν από την επεξεργασία αφαιρείτε τα κουκούτσια και τα σπόρια (π.χ. πιπεριά, πεπόνι, δαμάσκηνο) και τις σκληρές φλούδες (π.χ. πεπόνι, ανανάς). Δε χρειάζετε να ξεφλουδίζετε ή να αφαιρείτε τα κουκούτσια από τα μήλα ή τα αχλάδια.
- Χρησιμοποιείτε σκληρά, φρέσκα φρούτα και λαχανικά.
- Ο χυμός των εσπεριδοειδών είναι πικρός και αφρώδης καθώς υπόκεινται σε επεξεργασία η φλούδα και η ψίχα τους. Χρησιμοποιείτε για τον σκοπό αυτό τον λεμονοσούφτη.

## 32 περιστρεφόμενος αποθηκευτικός χώρος εξαρτημάτων KENSTORE™

Με τον επεξεργαστή τροφίμων παρέχεται ένας περιστρεφόμενος αποθηκευτικός χώρος εξαρτημάτων ο οποίος προσαρμόζεται μέσα στο μπωλ.

### για να χρησιμοποιήσετε τον περιστρεφόμενο αποθηκευτικό χώρο

- 1 Προσαρμόστε τη λεπίδα του μαχαιριού στο μπωλ.
- 2 Έπειτα προσαρμόστε το χτυπητήρι, τους δίσκους κοπής και το κάλυμμα μέσα στον περιστρεφόμενο αποθηκευτικό χώρο (P).
- 3 Προσαρμόστε τον περιστρεφόμενο αποθηκευτικό χώρο πάνω από τη λεπίδα του μαχαιριού και τοποθετήστε το καπάκι του επεξεργαστή τροφίμων στην κορυφή (Q).

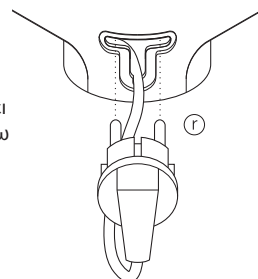


## Φροντίδα καθαρισμός

- Πάντα σβήνετε τη συσκευή και βγάξετε την από την πρίζα πριν το καθαρίσμα.
- Προσέχετε όταν πιάνετε τις λεπίδες και τους δίσκους κοπής - είναι εξαιρετικά κοφτερά.
- Μερικά τρόφιμα μπορεί να χρωματίσουν το πλαστικό. Αυτό είναι απόλυτα φυσιολογικό. Δεν θα επηρεάσει το πλαστικό ή τη γεύση του φαγητού σας. Το καθαρίσμα με ένα πανί εμποτισμένο σε φυτικό λάδι βοηθάει στην αφαίρεση του χρώματος.

### Κεντρική μονάδα

- Σκουπίστε με ένα υγρό πανί και στεγνώστε. Βεβαιωθείτε ότι δεν υπάρχουν υπολείμματα φαγητού στο μηχανισμό ασφάλισης.
- Τυλίξτε το καλώδιο που περισσεύει στον αποθηκευτικό χώρο στο πίσω μέρος της συσκευής (R).



### Μπλέντερ και μίνι κόφτης/μύλος

- 1 Αδειάστε την κανάτα/το βάζο πριν τα ξεβιδώσετε από τη μονάδα της λεπίδας.
- 2 Πλύνετε στο χέρι την κανάτα/το βάζο.
- 3 Αφαιρέστε και πλύνετε τους δακτυλίους ασφαλείας
- 4 Μην αγγίζετε τις κοφτερές λεπίδες - βουρτσίστε τις με ζεστή σαπουνάδα και μετά ξεπλύνετε τις σχολαστικά κάτω από τη βρύση. **Μη βυθίζετε τη μονάδα κοπής στο νερό.**
- 5 Αφήστε το να στεγνώσει γυρίζοντάς το ανάποδα.

### Διπλός αναδευτήρας

- Βγάλτε τα χτυπητήρια από την κεφαλή τραβώντας τα απαλά. Πλύνετε τα σε ζεστή σαπουνάδα.
- Σκουπίστε την κεφαλή με ένα υγρό πανί, και μετά στεγνώστε. **Μη βυθίζετε την κεφαλή στο νερό.**

### Άλλα μέρη

- Πλύνετε τα με το χέρι και μετά στεγνώστε τα καλά.
- Εναλλακτικά μπορούν να πλυθούν στην επάνω σχάρα του πλυντηρίου πιάτων. Συνιστούμε πρόγραμμα σύντομης διάρκειας σε χαμηλή θερμοκρασία.

## Σέρβις και εξυπηρέτηση πελατών

- Εάν το καλώδιο έχει υποστεί ζημιά, πρέπει, για λόγους ασφαλείας, να αντικατασταθεί από την KENWOOD ή από εξουσιοδοτημένο κέντρο επισκευών της KENWOOD.
- **Εάν αντιμετωπίσετε τυχόν προβλήματα σχετικά με τη λειτουργία του επεξεργαστή, πριν καλέσετε ειδικό συμβουλευτείτε τον οδηγό επίλυσης τεχνικών προβλημάτων.**

Εάν χρειάζεστε βοήθεια σχετικά με:

- τη χρήση της συσκευής ή
- το σέρβις ή τις επισκευές
- επικοινωνήστε με το κατάστημα από το οποίο αγοράσατε τη συσκευή σας.

- Σχεδιάστηκε και αναπτύχθηκε από την Kenwood στο Ηνωμένο Βασίλειο.
- Κατασκευάστηκε στην Κίνα.



### Προειδοποιήσεις για τη σωστή διάθεση του προϊόντος σύμφωνα με την Ευρωπαϊκή Οδηγία 2002/96/EK

Στο τέλος της ωφέλιμης ζωής του, το προϊόν δεν πρέπει να διατίθεται με τα αστικά απορρίμματα.

Πρέπει να διατεθεί σε ειδικά κέντρα διαφοροποιημένης συλλογής απορριμμάτων που ορίζουν οι δημοτικές αρχές, ή στους φορείς που παρέχουν αυτήν την υπηρεσία. Η Χωριστή διάθεση μιας οικιακής ηλεκτρικής συσκευής επιτρέπει την αποφυγή πιθανών αρνητικών συνεπειών για το περιβάλλον και την υγεία από την ακατάλληλη διάθεση καθώς και την ανακύκλωση υλικών από τα οποία αποτελείται ώστε να επιτυγχάνεται σημαντική εξοικονόμηση ενέργειας και πόρων. Για την επισήμανση της υποχρεωτικής χωριστής διάθεσης οικιακών ηλεκτρικών συσκευών το προϊόν φέρει το σήμα του διαγραμμένου τροχοφόρου κάδου απορριμμάτων.

## οδηγός επίλυσης τεχνικών προβλημάτων

| Πρόβλημα   | Αιτία   | Επίλυση  |
|--|---|--|
| Ο επεξεργαστής τροφίμων δεν τίθεται σε λειτουργία  | Δεν υπάρχει ρεύμα/η ενδεικτική λυχνία λειτουργίας δεν ανάβει.<br>Το μπωλ δεν έχει ασφαλίσει σωστά.<br>Το καπάκι δεν έχει ασφαλίσει σωστά.   | Ελέγξτε αν ο επεξεργαστής τροφίμων είναι συνδεδεμένος στο ρεύμα<br>Ελέγξτε αν το μπωλ έχει τοποθετηθεί σωστά και η λαβή είναι στραμμένη προς τα δεξιά.<br>Ελέγξτε αν η ασφάλεια του καπακιού έχει τοποθετηθεί σωστά στην περιοχή της λαβής.<br><b>Ο επεξεργαστής τροφίμων δεν τίθεται σε λειτουργία αν το μπωλ και το καπάκι δεν έχουν προσαρμοστεί σωστά.</b><br>Αν δεν υφίσταται τίποτα από τα παραπάνω ελέγξτε την ασφάλεια/τον διακόπτη ασφάλειας του σπιτιού σας. |
| Η λειτουργία του επεξεργαστή τροφίμων διακόπτεται κατά τη διάρκεια της επεξεργασίας των τροφίμων                             | Ο επεξεργαστής τροφίμων είναι υπερφορτωμένος/έχετε υπερβεί τις μέγιστες χωρητικότητες.<br>Το καπάκι δεν έχει ασφαλίσει.   | Ελέγξτε τις μέγιστες χωρητικότητες που αναφέρονται στην ενότητα “για να χρησιμοποιήσετε τον επεξεργαστή τροφίμων σας”.<br>Ελέγξτε ότι το καπάκι έχει ασφαλίσει σωστά.  |
| Κακή απόδοση των εργαλείων/εξαρτημάτων   | Ανατρέξτε στις πρακτικές συμβουλές στην αντίστοιχη ενότητα “για να χρησιμοποιήσετε το εξάρτημα”.<br>Ελέγξτε αν τα εξαρτήματα έχουν συναρμολογηθεί σωστά.                            |  |
| <b>Λειτουργία ζυγίσματος</b><br>Στην οθόνη εμφανίζεται σταθερά η ένδειξη [- - - ]<br><br>Η ένδειξη βάρους άλλαξε στην οθόνη. | Η ποσότητα που ζυγίζεται είναι πολύ μικρή.<br><br>Η μονάδα μοτέρ μετακινήθηκε από τη θέση της κατά τη διάρκεια της λειτουργίας.<br>Μηδενίστε την ένδειξη της οθόνης προτού ζυγίσετε | Για να μετράτε πολύ μικρές ποσότητες, χρησιμοποιείτε κουταλάκι του γλυκού και κουτάλι της σούπας.<br><br>Μην μετακινείτε τη μονάδα μοτέρ κατά τη διάρκεια της χρήσης.<br><br>τα επόμενα υλικά.   |

# Slovenčina

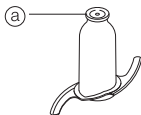
## Otvorte ilustrácie z titulnej strany

### pred použitím zariadenia Kenwood

- Starostlivo si prečítajte tieto inštrukcie uschovajte ich pre budúcnosť.
- Odstráňte všetky obaly a štítky.

### bezpečnosť

- Nože a rezacie kotúče sú veľmi ostré, manipulujte s nimi opatrne. **Nožové čepele držte pri manipulácii a pri čistení za držadlo pre prst umiestnené na vrchu** (a), **vždy mimo rezných hrán.**
- Nevíhajte, ani neprenášajte robot uchopením za rukoväť, lebo rukoväť by sa mohla odlomiť a zapríčiniť zranenie.
- Pred vyliatím obsahu nádoby odoberte nože.
- Ruky a nástroje nestrkajte do nasadených nádob robota, kým je zariadenie pripojené na prívod elektrickej energie.
- Vypnite a vytiahnite zo zásuvky:
  - pred namontovaním alebo odmontovaním častí;
  - pokiaľ zariadenie nepoužívate;
  - pred čistením.
- Nikdy nestrkajte potraviny prstami do plniacej trubice. Vždy na to používajte dodaný posúvač.
- Pred zložením veka zo založenej nádoby mixéra alebo mini sekáča/mlynčeka z pohonnej jednotky:
  - vypnite zariadenie;
  - počkajte, kým sa doplnok/nože celkom nezastavia;
  - nepripustíte nežiaduce odskrutkovanie mixovacej nádoby alebo mini sekáča/mlynčeka od nožovej zostavy.
- **RIZIKO OPARENIA:** Horúce zložky treba pred mixovaním nechať vychladnúť na izbovú teplotu.
- Nepoužívajte veko na ovládanie robota, vždy na to používajte ovládač zapnutia/vypnutia rýchlosti.
- **Pokiaľ bude blokovací mechanizmus zariadenia vystavený nadmerným silám, potom sa pokazí a môže zapríčiniť poranenie.**
- Nikdy nepoužívajte žiadne neschválené doplnky.
- Nikdy nenechávajte bez dozoru zariadenie v činnosti.
- Nikdy nepoužívajte poškodené zariadenie. Poškodené zariadenie dajte skontrolovať, alebo opraviť: viď „servise a starostlivosti“ o zákazníkov.
- Nikdy nevystavujte vlhkosti pohonnú jednotku, šnúru, ani zástrčku.
- Nenechávajte prebytočnú šnúru voľne visieť cez hrany stola alebo cez pracovnú dosku linky, ani sa nesmie dotýkať horúcich predmetov.
- Neprekračujte stanovené maximálne množstvá.
- Toto zariadenie nesmú používať žiadne osoby (vrátane detí), ktoré majú obmedzené fyzické, sensorické alebo mentálne schopnosti, alebo majú málo skúseností s podobnými zariadeniami, iba ak by tak robili pod kvalifikovaným dohľadom, alebo ak vopred obdržia dostatočné inštrukcie o obsluhu tohto zariadenia od osoby, ktorá zodpovedá za ich bezpečnosť.
- Deti musia byť pod dohľadom, aby sa zaručilo, že sa nebudú s týmto zariadením hrať.
- Toto zariadenie používajte len v domácnosti na stanovený účel. Firma Kenwood nepreberie žiadnu zodpovednosť za následky nesprávneho používania zariadenia, ani za následky nerešpektovania týchto inštrukcií.
- Nesprávne použitie kuchynského robota/mixéra môže mať za následok poranenie.



### pred zapnutím zariadenia

- Overte si, či vaša elektrická sieť má také isté parametre, aké sú uvedené na na spodnej strane zariadenia.
- Toto zariadenie spĺňa požiadavky európskej smernice 2004/108/ES o elektromagnetickej kompatibiliti a nariadenia č. 1935/2004 zo dňa 27.10.2004 o materiáloch a predmetoch určených pre styk s potravinami.

### pred prvým použitím

- 1 Odstráňte všetky časti obalu vrátane plastových krytov nožov. **Buďte opatrní, rezné hrany sú veľmi ostré.** Tieto kryty sa musia odstrániť, lebo slúžia len na ochranu počas výroby a transportu.
- 2 Poumývajte všetky diely – viď odsek „ošetrovanie a čistenie“.
- 3 Prebytočnú šnúru uložte do priestoru v zadnej časti zariadenia.

## význam symbolov

### kuchynský robot

- ① pohonná jednotka
  - ② odpojiteľný pohonný hriadel'
  - ③ nádoba
  - ④ veko
  - ⑤ plniaca trubica
  - ⑥ posúvače
  - ⑦ bezpečnostné uzávery
  - ⑧ priestor na uloženie šnúry
  - ⑨ ovládač rýchlosti s kontrolkou zapnutia prúdu
- funkcia váženia**
- ⑩ tlačidlo ON/ZERO na zapnutie alebo vynulovanie
  - ⑪ displej
  - ⑫ tlačidlo kg/lb
  - ⑬ platňa na váženie

### mixér

- ⑭ plniaca zátka
- ⑮ veko
- ⑯ nádoba
- ⑰ tesniaci krúžok
- ⑱ nožová jednotka

### mini sekáč/mlynček (ak je dodaný)

- ⑲ veko mlynčeka
- ⑳ nádoba

### doplnky

**Nie všetky druhy dole uvedených doplnkov musia byť dodané s robotom. Doplnky sú závislé na modelovej variante robota.**

- ⑳ nožové listy
- ㉑ nástroj na prípravu cesta
- ㉒ kovový šľahač s dvojíťmi metličkami a prevodovkou
- ㉓ kopula maxi-blend
- ㉔ hrubý krájací/strúhací kotúč
- ㉕ tenký krájací/strúhací kotúč
- ㉖ jemný strúhací kotúč (typ Julienne) (ak je dodaný)
- ㉗ kotúč na strúhanie parmezánu (ak je dodaný)
- ㉘ lis na citrusové plody s ozubeným prevodom (ak je dodaný)
- ㉙ mini nádoba robota (ak je dodaný)
- ㉚ odstredivý odšťavovač (ak je dodaný)
- ㉛ karuselové doplnky KENSTORE™

## používanie kuchynského robota

- 1 Zložte odnímateľný pohonný hriadeľ na pohonnú jednotku ❶.
- 2 **Potom** zložte nádobu. Otočte rukoväť dozadu a potom ju otáčajte v smere hodinových ručičiek, kým sa nezaistí ❷.
- 3 Zložte požadovaný doplnok na pohonný hriadeľ.
  - Pred vkladáním ingrediencií najskôr na robot zložte nádobu a požadovaný doplnok.
- 4 Zložte veko ❸ – zabezpečte, aby bol vrchol pohonného hriadeľa riadne zacentrovaný do stredu veka.
  - **Nepoužívajte veko na ovládanie robota, vždy na to používajte ovládač zapnutia-vypnutia/rýchlosti.**
- 5 Zapnite prívod elektrickej energie, kontrolka sa rozsvieti. Zapnite robot a zvolte si rýchlosť.
  - **Robot nebude pracovať, pokiaľ nebude správne založená nádoba a veko.**
  - Na krátke procedúry použite ovládač impulzov (P). Impulzy vznikajú dovtedy, kým je ovládač v príslušnej polohe.
- 6 Pri skladaní veka, doplnkov a nádoby postupujte v opačnom poradí.
  - **Pred zložením veka stroj vypnite a vyťahnite zástrčku zo zásuvky.**
  - important**
  - Robot nie je vhodný na spracovanie alebo mletie zrnkovej kávy, ani na mletie kryštálového cukru.
  - Pri pridávaní mandľovej esencie alebo iných príchuťí do zmesi sa treba vyhnúť priamemu kontaktu s plastovými dielmi, lebo by to mohlo zanechať trvalé stopy na povrchu týchto dielov.

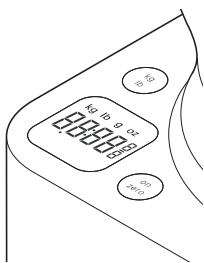
## tabuľka odporúčaných rýchlostí

| nástroj/doplnok                   | funkcia   | rýchlosť                             | Maximálna kapacita  |
|-----------------------------------|---|--------------------------------------|---|
| nožové listy                      | Miešanie cesta na koláče<br>Vtieranie tuku do múky<br>Pridanie vody na skombinovanie cestových ingrediencií<br>Sekanie, príprava kaše, spracovanie kokosu | min – max<br>5 – max<br>1 – 5<br>max | 1.5kg celková hmotnosť<br>340g hmotnosť múky<br><br>600g mäso |
| nožové listy s kopolou maxi-blend | Polievky – začnite na nízkej rýchlosti a zvyšujte na maximum  | min – max                            | 1.5 litra   |
| šľahač                            | vaječné bielka<br>vajcia a cukor na prípravu kysnutého cesta bez tuku<br>krém   | max<br>max<br>5 – max                | 6 vaječných bielkov<br><br>500 ml                             |
| nástroj na prípravu cesta         | kvasené zmesi   | max                                  | 600g  |
| kotúče na krájanie/strúhanie      | Tuhé druhy potravín, ako je mrkva, tvrdé syry<br>Mäkké druhy potravín, ako sú uhorky, paradajky   | 5 – max<br>min – 5                   |   |
| kotúč na strúhanie parmezánu      | Syr parmezán, zemiaky na nemecké zemiakové knedlíky.  | max                                  |   |
| lis na citrusové plody            | Citrusové plody   | 1                                    |   |
| nádoba mini bowl                  | Všetky druhy  | max                                  | 200g  |
| mixér                             | Všetky druhy  | max                                  | 1.5 litra   |
| mini sekáč/mlynček                | Všetky druhy  | max                                  |   |
| odstredivý odšťavovač             | Ovocie a zelenina   | max                                  | 500g  |

## funkcia váženia

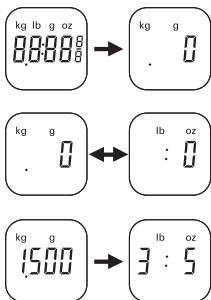
Kuchynský robot je vybavený vstavanou funkciou váženia, ktorá umožňuje odvážiť ingrediencie priamo v nádobe alebo mixéri.

- Maximálne množstvo na váženie sú 3 kg. To predstavuje celkovú hmotnosť všetkých ingrediencií spolu s nádobou.



## používanie funkcie váženia

- 1 Pred vkladáním ingrediencií najskôr založte na pohonnú jednotku pohonný hriadeľ, nádobu a príslušenstvo alebo nádobu mixéra.
- 2 Zapojte zariadenie do siete – displej zostane tmavý.
- 3 Stlačte raz tlačidlo ON/ZERO a displej sa rozsvieti.
- 4 Stlačte tlačidlo kg/lb a vyberte, či chcete zobraziť hmotnosť v gramoch alebo unciach. Pri prvom zapnutí je displej štandardne nastavený na zobrazenie v jednotkách kg/g.
  - Jednotka váži po 2 g, preto sa na odváženie malého množstva odporúča použiť ako odmerku čajovú lyžičku alebo polievkovú lyžicu.
- 5 Skontrolujte, či je na displeji zobrazená hodnota „0“, ak nie, vynulujte ho stlačením tlačidla ON/ZERO. Potom odvážte požadované ingrediencie priamo v nádobe. Po zobrazení hmotnosti stlačte tlačidlo ON/ZERO a na displeji bude znova zobrazená hodnota „0“. Vložte ďalšie ingrediencie a zobrazí sa ich hmotnosť. Opakujte tento proces, kým neodvážite všetky ingrediencie.
  - Ak sa displej nevyvuluje a odstránite ingrediencie alebo nádobu/príslušenstvo/veko, na displeji sa zobrazí údaj [ - - - ], čo predstavuje zápornú hodnotu. **Na vynulovanie stlačte raz tlačidlo ON/ZERO.**
- 6 Založte veko a zvolte rýchlosť, čím robot spustíte.
  - Počas činnosti bude na displeji zobrazená hodnota [ - - - ], kým sa ovládač rýchlostí nevráti do polohy vypnutia.
  - Po spracovaní, keď sa ovládač rýchlostí vráti do polohy vypnutia, sa na displeji zobrazí posledný údaj o hmotnosti. Poznámka: Ak sa displej pred zapnutím nevyvuluje, v celkovej hmotnosti bude zahrnutá aj hmotnosť veka.
  - Hmotnosť ďalších ingrediencií pridaných cez plniacu trubicu počas činnosti robota sa na displeji nezobrazí.



### automatické vypnutie

- Displej sa automaticky vypne po 5 minútach, ak na ňom bude zobrazená rovnaká hodnota.
- Displej môžete manuálne vypnúť tak, že stlačíte a na pár sekúnd podržíte tlačidlo ON/ZERO.

### dôležité upozornenie

- Nepreťažujte zariadenie prekročením maximálneho množstva na váženie, ktoré predstavuje 3 kg.
- Nevystavujte pohonnú jednotku nadmernému zaťaženiu, pretože to môže poškodiť senzor váženia.
- Robot položte vždy pred vážením na suchý a rovný povrch.
- Nehýbte pohonnou jednotkou počas spustenia funkcie váženia.

## používanie mixéra

- 1 Upevnite tesniaci krúžok 17 do nožovej jednotky 18 – zabezpečte, aby bolo tesnenie správne uložené. **Pokiaľ by bolo tesnenie poškodené, alebo zle uložené, vznikne presakovanie mixovaného materiálu.**
- 2 Naskrutkujte nádobu na nožovú jednotku.
- 3 Vložte ingrediencie do nádoby.
- 4 Založte veko na mixovaciu nádobu a zatlačte nadol do zabezpečenej polohy 4. Založte plniacu zátku.
- 5 Umiestnite mixér na pohonnú jednotku a otáčajte ho, kým sa nezaistí 5.
- 6 Výber rýchlosti (pozrite si tabuľku odporúčaných rýchlostí) alebo použitie ovládača impulzov.

### dôležité upozornenie

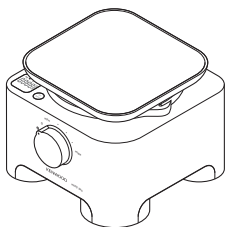
- **RIZIKO OPARENIA:** Horúce zložky treba pred mixovaním nechať vychladnúť na izbovú teplotu.
- V záujme zachovania dlhšej životnosti vášho mixéra ho nikdy nespúšťajte na dobu dlhšiu než 60 sekúnd.
- Mixovanie korenín sa neodporúča, lebo by mohli poškodiť plastové diely.
- Zariadenie nemôže pracovať, kým mixér nie je riadne namontovaný.
- Pri mixovaní suchých ingrediencií rozrezaných na kúsky, zložte plniacu zátku, potom počas chodu stroja vkladajte dovnútra jednotlivé kúsky jeden za druhým. Držte ruku nad otvorom. V záujme dobrých výsledkov pravidelne vyprázdňujte nádobu.
- Nepoužívajte mixér ako nádobu na skladovanie. Po použití ho udržiavajte prázdny.
- Nikdy nemixujte viac, než 1.5 litrov. Ešte menej treba pri mixovaní penivých tekutín, ako sú napríklad mliečne kokteily.

### pokyny

- Pri výrobe majonézy vložte do mixéra všetky potrebné ingrediencie, okrem oleja. Zložte plniacu zátku. Potom počas chodu zariadenia pridávajte pomaly olej cez otvor vo veku.
- Husté mixované zmesi, ako sú paštéty a omáčky, si môžu vyžadovať oškrabávanie zo stien nádoby. Pokiaľ sa zmes ťažko mixuje, musíte pridať viac tekutiny.
- Drvenie ľadu – mixér pracuje v krátkych impulzoch, kým sa ľad nerozdrví na požadovanú konzistenciu.

## 13 platňa na váženie

Odnímateľná platňa na váženie je určená na váženie ingrediencií bez použitia nádoby alebo mixéra. Ak ju chcete použiť, položte ju navrch pohonnej jednotky a otočením v smere hodinových ručičiek ju zaistíte. Potom pokračujte krokmi 2 až 5 v časti „používanie funkcie váženia“.



Platňu na váženie odnímate otáčaním v smere hodinových ručičiek a následným zdvihnutím.



## používanie mini sekáča/mlynčeka (ak je dodaný)

Mini sekáč/mlynček používajte na mletie bylínok, orechov a kávových zrn.

- 1 Vložte ingrediencie do nádoby. Nádobu nenapĺňajte viac ako do polovice.
- 2 Nasadte tesniaci krúžok ⑰ do nožovej jednotky ⑱.
- 3 Otočte nožovú jednotku dole hlavou. Vložte ju do nádoby, nožmi nadol.
- 4 Nožovú jednotku pevne naskrutkujte na nádobu.
- 5 Umiestnite mini sekáč/mlynček na pohonnú jednotku a otáčajte ho, kým sa nezaistí ⑥.
- 6 Prepňte na maximálnu rýchlosť alebo použite ovládač impulzov.

### bezpečnosť

- Nikdy neupevňujte nožovú jednotku na zariadenie bez príslušnej nádoby.
- Nikdy neodskrutkujte nádobu, kým je mini sekáč/mlynček založený na zariadení.
- Nedotýkajte sa ostrých hrán nožov. Nožovú jednotku držte mimo dosahu detí.
- Nikdy neskladajte mini sekáč/mlynček, kým nože úplne nezastanú.

### dôležité upozornenie

- V záujme zachovania dlhjej životnosti mini sekáča/mlynčeka, nikdy ho nespúšťajte na dobu dlhšiu, než 30 sekúnd. Hneď ako dosiahnete správnu konzistenciu ho vypnite.
- Nevkladajte dnu korenie – mohli by sa poškodiť plastové diely.
- Zariadenie nebude pracovať, keď bude mini sekáč/mlynček nasadený nesprávne.
- Používajte len na spracovanie suchých ingrediencií.

### pokyny

- Bylinky sa najlepšie pomelú, ak sú čisté a suché.

## používanie príslušenstva

### ⑲ nože/⑳ nástroj na prípravu cesta

Nože patria medzi najuniverzálnejšie príslušenstvo. Doba spracovania určuje dosiahnutú štruktúru. Na dosiahnutie hrubšej štruktúry používajte ovládač impulzov.

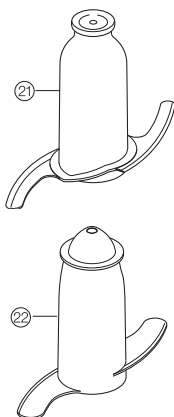
Nože môžete použiť pri príprave cesta na koláče, sekaní surového a vareného mäsa, zeleniny, orechov, pri príprave paštét, omáčok, kašovitých polievok a tiež pri strúhaní pečiva a chleba na strúhanku. Ak nie je dodaný nástroj na prípravu cesta, dajú sa použiť aj na miesenie kysnutého cesta.

Nástroj na cesto používajte na miesenie kysnutého cesta.

### pokyny

#### nože

- Potravinu, ako sú mäso, chlieb, zelenina, pred spracovaním najskôr narežte na kocky s veľkosťou približne 2 cm.
- Pečivo treba najskôr nalámať na kúsky a potom vkladať do plniacej trubice počas prevádzky stroja.



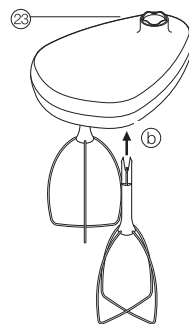
- Pri príprave cesta používajte tuk priamo z chladničky nakrájaný na kocky s veľkosťou približne 2 cm.
- Dávajte pozor, aby ste nemixovali príliš dlho.

### nástroj na prípravu cesta

- Do nádoby vložte suché ingrediencie a tekutinu pridávajte cez plniacu trubicu počas prevádzky zariadenia. Zariadenie nechajte bežať, kým sa nevytvorí hladká elastická guľa z cesta, čo môže trvať 60 – 90 sekúnd.
- Opakované premiesenie môžete urobiť len rukami. Opakované premiesenie v nádobe sa neodporúča, pretože to môže spôsobiť nestabilitu robota.

### ㉓ šľahač s dvojitými metličkami a prevodovkou

Používa sa len na ľahké zmesi ako vaječné bielka, smotanu, kondenzované mlieko a na šľahanie vajíčok s cukrom na prípravu kysnutého cesta bez tuku. Ťažšie zmesi, ako je tuk a múka, by mohli šľahač poškodiť.



## používanie šľahača

- 1 Založte pohonný hriadeľ a nádobu na pohonnú jednotku.
- 2 Založte každú metličku do pohonnej hlavy ㉔.
- 3 Založte šľahač opatrným otáčaním, až kým nezapadne na pohonný hriadeľ.
- 4 Vložte ingrediencie.
- 5 Založte veko tak, aby sa koniec hriadeľa nachádzal v strede veka.
- 6 Zapnite zariadenie.

### dôležité upozornenie

- Tento šľahač nie je vhodný na prípravu cesta na koláče ani na prípravu tukových krémov s cukrom, pretože by sa mohol poškodiť. Pri príprave cesta na koláče vždy používajte nože.

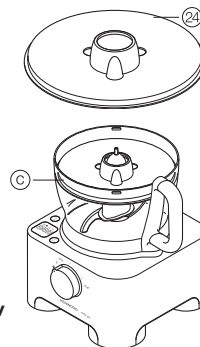
### pokyny

- Najlepšie výsledky sa dosiahnu vtedy, keď majú vajíca izbovú teplotu.
- Pred šľahaním skontrolujte, či sú nádoba a šľahacie metličky čisté a či nie sú masťné.

### ㉔ kryt maxi-blend

Pri mixovaní tekutín používajte kryt maxi-blend s nožmi. Kryt umožňuje zvýšiť kapacitu spracúvanej tekutiny z 1 litra na 1,5 litra, zabraňuje pretekaniu a zlepšuje výkon nožov pri sekaní.

- 1 Založte pohonný hriadeľ a nádobu na pohonnú jednotku.
- 2 Založte nože.
- 3 Pridajte ingrediencie na spracovanie.
- 4 Navrch nožov založte kryt tak, aby zapadol na výstupok vnútri nádoby ㉔.
- 5 Založte veko a zariadenie zapnite.



## kotúče na krájanie/strúhanie

### obojstranné kotúče na krájanie/strúhanie - nahrubo 25, natenko 26

Strúhaciu stranu kotúča používajte na strúhanie syra, mrkvy, zemiakov a potravín s podobným zložením.

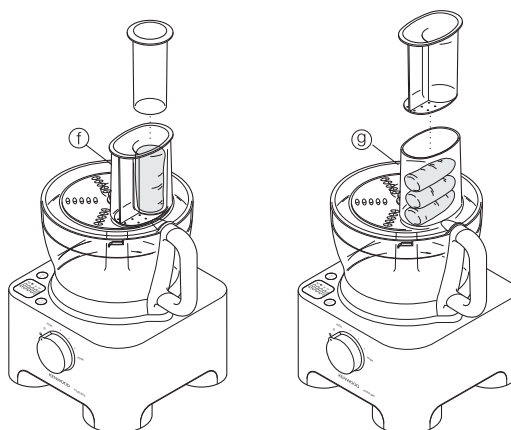
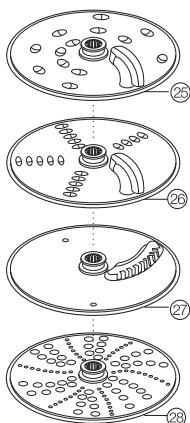
Krájaciú stranu kotúča používajte na krájanie syra, mrkvy, zemiakov, kapusty, uhorkiek, cukety, cvikle a cibule.

### kotúč na ozdobné krájanie (tzv. štýl Julienne – krájanie na drobné hranolčeky) 27 (ak je dodaný)

Používajte na krájanie: zemiakov na drobné hranolčeky, tvrdých ingrediencií do šalátov, na oblohu, prípravu duseného mäsa so zeleninou a prúdké opraženie (napr. mrkva, repa, cuketa, uhorka).

### kotúč na jemné strúhanie 28 (ak je dodaný)

Na strúhanie parmezánu a zemiakov na zemiakové knedle.

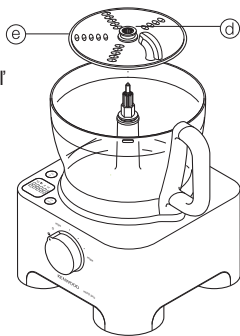


## bezpečnosť

- Nikdy neskladajte veko, kým kotúč úplne nezastane.
- Kotúče sú veľmi ostré – manipulujte s nimi opatrne.

## používanie kotúčov

- 1 Zložte pohonný hriadeľ a nádobu na pohonnú jednotku.
- 2 Chyťte kotúč za držadlo v strede ① a položte ho na pohonný hriadeľ príslušnou stranou nahor ②.
- 3 Zložte veko.
- 4 Vyberte si podľa veľkosti plniacu trubicu, ktorú chcete použiť. V posúvači sa nachádza menšia plniacia trubicu na spracovanie jednotlivých potravín alebo tenkých ingrediencií.  
Ak chcete použiť malú plniacu trubicu, najprv vložte do plniacej trubice veľký posúvač.  
Ak chcete použiť veľkú plniacu trubicu, použite oba posúvače spolu.
- 5 Cez plniacu trubicu vložte ingrediencie.
- 6 Zapnite zariadenie a pomocou posúvača rovnomerne vkladajte jednotlivé ingrediencie - **nikdy nestrkajte prsty do plniacej trubice.**



### pokyny

- Používajte čerstvé ingrediencie
- Nekrájajte potraviny na príliš malé kúsky. Vyplňte celú šírku veľkej plniacej trubice. Zabráni sa tak kĺzaniu potravín po stranách počas spracovania. Prípadne môžete použiť malú plniacu trubicu.
- Pri použití kotúča na ozdobné krájanie vkladajte ingrediencie vodorovne.
- Pri bežnom krájaní a strúhaní: potraviny vkladajte zvisle sa narezú ① na kratšie časti ako potraviny, ktoré sa vkladajú vodorovne ②.
- Na kotúči alebo v nádobe zostanú po spracovaní potravín vždy nejaké zvyšky.

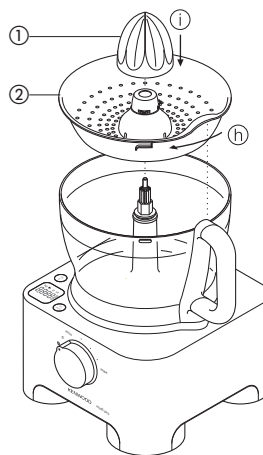
### 29 lis na citrusové plody (ak je dodaný)

Lis na citrusové plody používajte na vytlačenie šťavy z citrusových plodov (napríklad z pomarančov, citrónov, limetiek alebo grapefruitov).

- ① výtlačný kužeľ
- ② sitko

## používanie lisu na citrusové plody

- 1 Zložte pohonný hriadeľ a nádobu na pohonnú jednotku.
  - 2 Zložte sitko do nádoby tak, aby rukoväť sitka bola zaistená priamo nad rukoväťou nádoby ①.
  - 3 Umiestnite výtlačný kužeľ na pohonný hriadeľ a otáčajte, kým nezapadne nadol ②.
  - 4 Prerežte ovocie na polovicu. Potom zapnite prístroj a pritlačte ovocie na kužeľ.
- Citrusový lis nebude pracovať, ak nebude sitko správne založené.



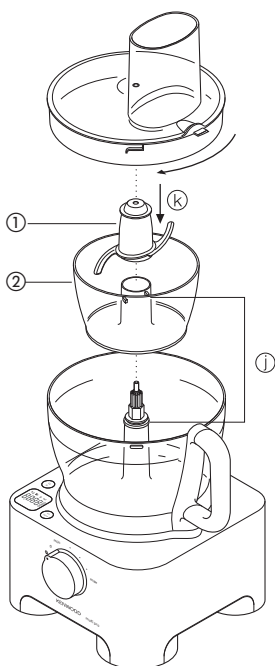
### 30 mini nádoba (ak je dodaný)

Mini nádobu môžete použiť na sekanie bylínok a spracovanie malého množstva ingrediencií napríklad mäsa, cibule, orechov, majonézy, zeleniny, kaše, omáčok a jedla pre deti.

- 1 mini nož
- 2 mini nádoba

### používanie mini nádoby

- 1 Založte pohonný hriadeľ a nádobu na pohonnú jednotku.
- 2 Mini nádobu založte tak, aby výstupky vnútri rúry mini nádoby zapadli do otvorov na rúre základnej nádoby ①.
- 3 Založte nože na pohonný hriadeľ ②.
- 4 Pridajte ingrediencie na spracovanie.
- 5 Založte veko a zariadenie zapnite.



#### bezpečnosť

- Nikdy neskladajte veko, kým nože úplne nezastanú.
- Nože sú veľmi ostré – vždy s nimi manipulujte opatrne.

#### dôležité upozornenie

- Nevkladajte dnu korenie – mohli by sa poškodiť plastové diely.
- Nesekejte tvrdé potraviny ako zrnká kávy, kocky ľadu alebo čokoládu – môžu poškodiť nože.

#### pokyny

- Bylinky sa najlepšie nasekajú, ak sú čisté a suché.
- Keď mixujete varené ingrediencie pri príprave jedla pre deti, vždy pridajte trochu tekutiny.
- Potraviny, ako sú mäso, chlieb, zelenina, pred spracovaním najskôr narežte na kocky s veľkosťou približne 1 – 2 cm.
- Pri príprave majonézy prilievajte olej cez plniacu trubicu.

### 31 kovový odstredivý odšťavovač (ak je dodaný) (použite maximálnu rýchlosť)

Odstredivý odšťavovač môžete použiť na získanie šťavy z tvrdého ovocia a zeleniny.

- 1 posúvač
- 2 veko
- 3 odstraňovač dužiny
- 4 filtračný bubon
- 5 pohonný hriadeľ odšťavovača

### používanie odstredivého odšťavovača

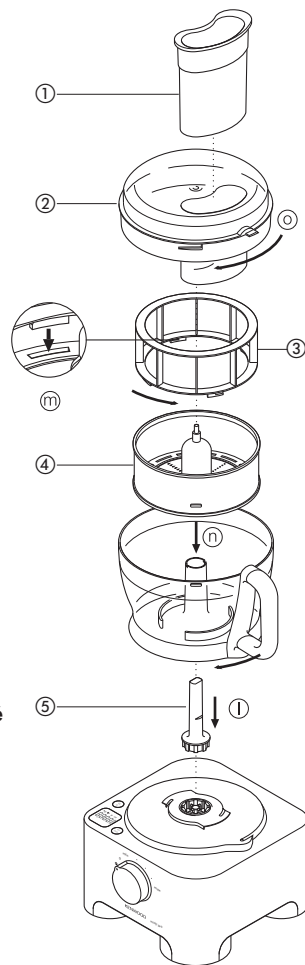
- 1 Založte pohonný hriadeľ a nádobu na pohonnú jednotku ①.
- 2 Odstraňovač dužiny založte do filtračného bubna tak, aby jeho výstupky zapadli do otvorov v spodnej časti bubna ③.
- 3 Založte filtračný bubon ④.

**Odšťavovač nemôže pracovať, ak nie je zaistené veko.**

- 4 Na nádobu položte upevňovacie veko a otáčajte ho, kým nezapadne na miesto tak, aby bola plniaca trubica umiestnená nad rukoväťou ⑤.
- 5 Potraviny nakrájajte na malé kúsky, aby sa vošli do plniacej trubice.
- 6 Zapnite zariadenie a pomocou posúvača rovnomerne vkladajte jednotlivé ingrediencie – **nikdy nestrkajte prsty do plniacej trubice.**

Spracujte všetky kúsky v trubici, kým pridáte ďalšie.

- Po pridaní posledného kúska nechajte odšťavovač bežať ešte 20 sekúnd, aby sa vytlačila všetka šťava z filtračného bubna.



### bezpečnosť

- **Odšťavovač nepoužívajte, ak je filter poškodený.**
- Čepele na základni filtračného bubna sú veľmi ostré, pri manipulácii s bubnom a jeho čistení postupujte opatrne.
- Používajte len dodaný posúvač. Nikdy nedávajte prsty do plniacej trubice. Pred odistením plniacej trubice odpojte zariadenie zo siete.
- Pred zložením veka zariadenie vypnite a počkajte, kým sa filter zastaví.

#### dôležité upozornenie

- Keď začne odšťavovač vibrovať, vypnite ho a vyberte dužinu z bubna. (Odšťavovač vibruje, keď je dužina nerovnomerne rozložená).

- Naraz je možné spracovať maximálne 500 g ovocia alebo zeleniny.
- Niektoré tvrdšie potraviny môžu spôsobiť spomalenie alebo zastavenie odšťavovača.  
V takom prípade zariadenie vypnite a odistite filter.
- Počas používania odšťavovač pravidelne vypnite a vyprázdňte zbernú nádobu na dužinu.

#### pokyny

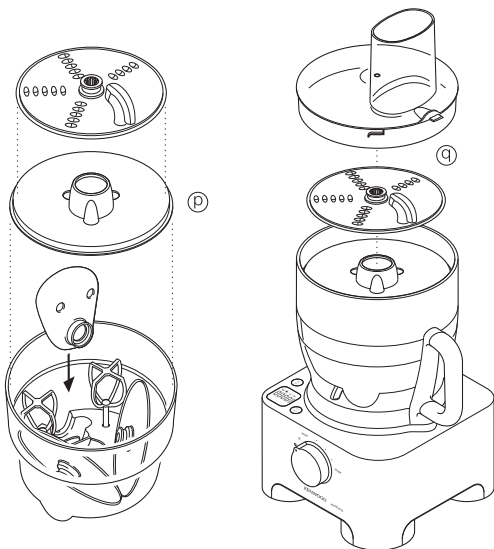
- Pred spracovaním odstráňte kôstky a jadierka (napríklad z papriky, melóna alebo sliviek) a tvrdú šupku (napríklad z melóna alebo ananásu). Nie je potrebné odstraňovať šupku alebo jadierka z jablák a hrušiek.
- Používajte čerstvé nezmäknuté ovocie a zeleninu.
- Štáva z citrusových plodov bude horká a spenená, pretože sa spracúvajú spolu so šupkou a dreňou. Použite na ne radšej odšťavovač na citrusové plody.

## 32 Karusel na príslušenstvo KENSTORE™

Kuchynský robot je vybavený úložným karuselom na príslušenstvo, ktorý sa vkladá do nádoby.

### používanie úložného karusela

- 1 Založte nože do nádoby.
- 2 Potom do karusela vložte šľahač, kotúče a kryt (P).
- 3 Karusel založte na nože a navrch položte veko robota (Q).

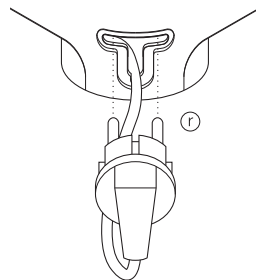


## ošetrovanie a čistenie

- Stroj pred čistením vždy vypnite a vytiahnite zástrčku zo zásuvky.
- **S rezacími nožmi a kotúčmi manipulujte opatrne, pretože sú extrémne ostré.**
- Niektoré potraviny môžu zapríčiniť odfarbenie plastov. Tento jav je normálny a nezhoršuje kvalitu plastov, ani neovplyvní chuť potravín. Odfarbené miesta pretrite handričkou, namočenou v rastlinnom oleji a odfarbenie by malo zmiznúť.

#### pohonná jednotka

- Poutierajte vlhkou utierkou a vysušte. Postarajte sa o to, aby priestor blokovacieho zariadenia (zámku) bol čistý a bez zvyškov potravín.
- Prebytočnú šnúru uložte do priestoru v zadnej časti pohonnej jednotky (1).



#### mixér alebo mini sekáč/mlynček

- 1 Pred odskrutkovaním nádoby z nožovej jednotky nádobu vyprázdňte.
- 2 Nádobu ručne poumývajte.
- 3 Vyberte a poumývajte tesniaci krúžok.
- 4 Nedotýkajte sa rezných hrán nožov – vykartáčujte ich v mydlovej vode, potom ich opláchnite tečúcou vodou. **Nožovú jednotku neponárajte do vody.**
- 5 Nechajte vyschnúť hornou časťou nadol.

#### šľahač s dvojítmí metličkami a prevodovkou

- Jemným potiahnutím vyberte metličky z pohonnej jednotky. Poumývajte ich v teplej mydlovej vode.
- Poutierajte pohonnú hlavu vlhkou utierkou a vysušte. **Pohonnú hlavu neponárajte do vody.**
- **všetky ostatné diely**
- Rukami ich poumývajte a vysušte.
- Prípadne môžu byť umyté na hornom rošte umývačky riadu. Odporúča sa krátky program pri nízkej teplote.

## servis a starostlivosť o zákazníkov

- Keď sa poškodí prírodná elektrická šnúra, musí ju z bezpečnostných príčin vymeniť alebo opraviť firma KENWOOD alebo pracovníci oprávnení firmou KENWOOD.
- **Pokiaľ sa vyskytnú nejaké problémy s činnosťou kuchynského robota, potom sa ešte pred zavolaním servisu pozrite do príručky na odstraňovanie problémov.**  
Pokiaľ potrebujete pomoc pri nasledovných problémoch:
  - používanie vášho zariadenia
  - servis alebo opravy
  - Kontaktujte obchod, v ktorom ste si zariadenie zakúpili.
- Navrhnuté a vyvinuté spoločnosťou Kenwood v Spojenom kráľovstve.
- Vyrobené v Číne.



### DÔLEŽITÁ INFORMÁCIA NA SPRÁVNU LIKVIDÁCIU PRODUKTU PODĽA EURÓPSKEJ SMERNICE 2002/96/EC.

Po skončení životnosti produktu sa tento produkt nesmie jednoducho vyhodíť spolu s domovým odpadom.

Musí sa odovzdať na príslušné zberné miesto na roztriedenie odpadu alebo dílerovi, ktorý sa postará o takúto likvidáciu. Separátnou likvidáciou domácich spotrebičov sa vyhneme negatívnym následom na životné prostredie a zabránime ohrozeniu zdravia vzniknutého nevhodnou likvidáciou. Umožní sa tak aj recyklácia základných materiálov, čím sa dosiahne značná úspora energií a prírodných zdrojov. Na pripomenutie nutnosti separátnej likvidácie domácich spotrebičov je produkt označený preškrtnutým kontajnerom na zber domáceho odpadu.

## príručka na odstraňovanie problémov

| Problém   | Príčina   | Riešenie  |
|---|---|---|
| Kuchynský robot nepracuje.  | Robot nedostáva elektrickú energiu.<br><br>Nádoba nie je správne zaistená.<br><br>Veko nie je správne zaistené. | Skontrolujte, či je robot napojený na prívod elektrickej energie.<br><br>Skontrolujte, či je nádoba správne zaistená a či je rukoľať oproti pravej strane.<br><br>Skontrolujte, či je blokovanie nádoby umiestnené správne do oblasti rukoväti.<br><br><b>Robot nebude pracovať, pokiaľ nebude správne založená nádoba a veko.</b><br><br>Pokiaľ sa nepotvrdí žiadna vyššie uvedená príčina, potom skontrolujte poistky na domovom rozvode. |
| Robot sa zastavil v priebehu činnosti   | Robot je preťažený, prekročila sa jeho maximálna kapacita.<br><br>Veko nie je zaistené                          | Skontrolujte maximálne množstvá uvedené v časti „používanie kuchynského robota“.<br><br>Skontrolujte, či je veko správne zaistené.  |
| Malý výkon nástrojov alebo doplnkov   | Pozrite sa na pokyny odstavca „Používanie príslušenstva“. Skontrolujte, či sú doplnky správne namontované.      |   |
| Funkcia váženía<br>Na displeji je zobrazená hodnota [----]<br><br>Na displeji sa zmenila hmotnosť | Vážené množstvo je príliš malé.<br><br>Pohonná jednotka sa počas činnosti pohla.                                | Na veľmi malé množstvá použite ako odmerku čajovú lyžičku alebo polievkovú lyžicu.<br><br>Nehýbte jednotkou počas činnosti. Pred vážením ďalších ingrediencií vynulujte displej.  |

# Українська

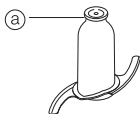
Будь ласка, розгорніть першу сторінку з малюнками

## Перед першим використанням приладу Kenwood

- Уважно прочитайте інструкцію та збережіть її для подальшого використання.
- Зніміть упаковку та всі етикетки.

## запобіжні заходи

- Леза та диски - дуже гострі, тому будьте обережні. **Під час роботи або чищення завжди тримайте ніж за ручку (а) зверху, якомога далі від різального леза.**
- Не піднімайте та не переносьте прилад, тримаючи його за ручку – це може пошкодити ручку та спричинити травму.
- Завжди знімайте ніж перед тим, як наповнювати чашу.
- Не опускайте руки або інші кухонні приладдя у чашу чи чашу (келик) міксеру під час роботи комбайну.
- Завжди вимикайте прилад та відключайте його від мережі електропостачання: -
  - перед установкою або зніманням деталей;
  - якщо прилад не використовується;
  - перед чищенням.
- Ніколи не проштовхуйте продукти пальцями крізь подавальну трубку. Завжди використовуйте для цього штовхачі, що додається (ються).
- Перед зніманням кришки з чаші або міксеру або міні-подрібнювач/подрібнювач з блоку електродвигуна:-
  - вимкніть прилад;
  - дочекайтесь повної зупинки насадки/ножового блоку;
  - слідкуйте за тим, щоби не відкрити келих міксеру або міні-подрібнювач/подрібнювач від ножового блоку.
- **РИЗИК ОПІКІВ:** Гарячі інгредієнти мають вистигнути до кімнатної температури перед змішуванням.
- Не керуйте комбайном за допомогою кришки. Завжди використовуйте для цього регулятор швидкості on/off (увімкнути/вимкнути.).
- **Надмірна дія на механізм блокування може пошкодити прилад та спричинити травму.**
- Не використовуйте насадки, що не призначені для цього приладу.
- Не залишайте прилад, що працює, без нагляду.
- Не використовуйте пошкоджений прилад. Перевірка або ремонт здійснюються у спеціальних центрах: див. розділ «Технічне обслуговування».
- Не допускайте попадання вологи на блок електродвигуна, шнур або вилку.
- Слідкуйте за тим, щоб шнур не звисав зі столу й не торкався гарячої поверхні.
- Не перевищуйте максимальних показників.
- Не рекомендується користатись цим приладом особам (враховуючи дітей) із обмеженими фізичними або ментальними можливостями, або тим, хто має недостатньо досвіду в експлуатації цього приладу. Вищеназваним особам дозволяється користуватися приладом тільки після проходження інструктажу та під наглядом досвідченої людини, яка несе відповідальність за їх безпеку.
- Не залишайте дітей без нагляду і не дозволяйте їм гратися із приладом.
- Цей прилад призначений виключно для використання у побуті. Компанія Kenwood не несе відповідальності за невідповідне використання приладу або порушення правил експлуатації, викладених у цій інструкції.
- Неналежне використання комбайна/міксеру може спричинити травму.



## Перед підключенням до мережі електропостачання

- Переконайтеся, що напруга електромережі у вашому домі відповідає показникам, вказаним на зворотній частині приладу.
- Цей прилад відповідає вимогам директиви ЄС 2004/108/ЄС «Електромагнітна сумісність» та положення ЄС № 1935/2004 від 27/10/2004 стосовно матеріалів, що безпосередньо пов'язані з їжею.

## Перед першим використанням

- 1 Зніміть пластикові захисні покриття із леза. **Будьте обережні, воно дуже гостре.** Не зберігайте це покриття, оскільки воно призначене тільки для захисту лез під час виготовлення та транспортування приладу.
- 2 Вимийте всі деталі, див. розділ 'Догляд та чищення'
- 3 Сховайте зайву частину шнура у задній частині приладу.

## покажчик

### комбайн

- ① блок електродвигуна
  - ② зйомний привідний вал
  - ③ чаша
  - ④ кришка
  - ⑤ напрямна трубка
  - ⑥ штовхачі
  - ⑦ захисне блокування
  - ⑧ відсік для зберігання шнура
  - ⑨ регулятор швидкості з світловим індикатором включення живлення
- Функція зважування**
- ⑩ Кнопка on/zero (увімкнути/обнулювати показники)
  - ⑪ дисплей
  - ⑫ Кнопка перемикання kg/lb (кг/фунт)
  - ⑬ Таця для зважування

### міксер

- ⑭ ковпачок заливального отвору
- ⑮ кришка
- ⑯ чаша
- ⑰ ущільнювальне кільце
- ⑱ ножовий блок

### міні-подрібнювач/подрібнювач (при наявності)

- ⑲ кришка подрібнювача
- ⑳ чаша

## насадки

Не всі перелічені нижче насадки входять до комплектації вашого кухонного комбайну. Набір насадок залежить від моделі приладу.

- ① ніж
- ② насадка для вимішування тіста
- ③ подвійний редукторний металевий віничок для збивання
- ④ кришка для перемішування на максимальній швидкості
- ⑤ диск для нарізання товстих шматочків/ крупного шаткування
- ⑥ диск для нарізки тонких шматочків/дрібного шаткування
- ⑦ диск для тонкого нарізання (використовується для приготування жульєну) (при наявності)
- ⑧ диск-тертка (при наявності)
- ⑨ соковижималка для цитрусових (при наявності)
- ⑩ міні-чаша (при наявності)
- ⑪ соковижималка із центрифугою (при наявності)
- ⑫ обертова підставка для зберігання насадок KENSTORE™

## Як користуватися кухонним комбайном

- 1 Установіть зйомний привідний вал на блок електродвигуна ①.
- 2 Потім установіть чашу. Установіть її так, щоб ручка була позаду та повертайте за годинниковою стрілкою, доки вона не зафіксується на місці ②.
- 3 Установіть необхідну насадку на привідний вал.

## таблиця рекомендованих швидкостей

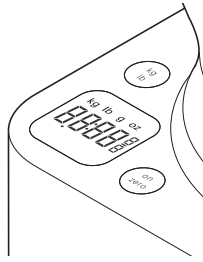
| інструмент/насадка   | призначення  | швидкість   | Максимальне завантаження  |
|--|--|---|---|
| ніж  | Приготування тіста для пирогів та тістечок за допомогою одноразового вимішування<br>Кондитерські вироби – розтирання жиру із борошном<br>Додавання води у різні інгредієнти тіста для випікання<br>Кришення/приготування пюре/паштетів | мін – макс<br><br>5 – макс<br><br>1 – 5<br><br>макс | 1.5 кг загальна вага<br><br>340 гр вага борошна<br><br><br>600 гр система |
| ніж із кришкою для перемішування на максимальній швидкості | Супи – починайте із низької швидкості, а потім збільшуйте її до максимуму.   | мін – макс  | 1.5 літрів  |
| віничок  | яєчні білки<br>яйця та цукор для прісних бісквітів<br>вершки   | макс<br>макс<br>5 – макс                            | 6 яєчні білки<br><br>500 мл   |
| насадка для вимішування тіста                              | дріжджові суміші   | макс  | 600 гр  |
| диск на нарізання/шаткування                               | Тверді продукти – морква, твердий сир<br>більш м'які продукти – огірки, томати   | 5 – макс<br>мін – 5                                 |   |
| диск-тертка  | сир Пармезан, картопляні галушки по-німецьки.  | макс  |   |
| Соковижималка для цитрусових                               | цитрусові  | 1   |   |
| міні-чаша  | Усі види обробки продуктів   | макс  | 200 гр  |
| міксер   | Усі види обробки продуктів   | макс  | 1.5 літрів  |
| міні-подрібнювач/Подрібнювач                               | Усі види обробки продуктів   |   |   |
| Соковижималка із центрифугою                               | Фрукти та овочі  | макс  | 500 гр  |

- Чаша та насадка мають бути встановлені на прилад перед тим, як додавати інгредієнти.
- 4 Установіть кришку ③ так, щоб верхня частина привідного валу опинилась у центрі кришки.
- **Не керуйте комбайном за допомогою кришки. Завжди використовуйте для цього регулятор on/off (увімкнути/вимкнути).**
- 5 Підключіть прилад до мережі електропостачання. Спалахне світловий індикатор включення живлення. Увімкніть прилад та оберіть швидкість.
- **Прилад не буде працювати, якщо чаша та кришка встановлені неправильно.**
- Використовуйте імпульсний режим (P) для недовгих інтенсивних перемішувань. Прилад буде працювати, доки важіль перемикача утримується у відповідному положенні.
- 6 Повторіть описану вище процедуру у зворотному порядку для того, щоб зняти кришку, насадки та чашу.
- **Завжди вимикайте прилад та відключайте його від мережі електропостачання перед тим, як зняти кришку. Увага!**
- Комбайн не може використовуватися для подрібнення чи помелу кавових зерен, або для перетворення цукру на цукрову пудру.
- Під час додавання мигдалевої есенції або присмаки до сумішей, намагайтеся не торкатися пластикових деталей, оскільки існує ризик стійкого пофарбування.

## Функція зважування

Ваш кухонний комбайн має встроєні ваги для зручного зважування продуктів прямо в чаші або келиху міксера.

- Максимальна припустима вага – 3 кг. Це загальна вага усіх інгредієнтів, включно вагу чаші чи келиху.



## Як користуватися функцією зважування

1 Перед додаванням інгредієнтів спочатку установіть привідний вал, чашу та насадку або келих міксера на блок електродвигуна.

2 Підключіть прилад до мережі електропостачання. Екран не спалахне.

3 Натисніть кнопку ON/ZERO (увімкнути/обнулювати показники) і екран розсвітиться.

4 Натисніть кнопку перемикачання kg/lb (кг/фунт), щоб обрати шкалу зважування в грамах або унціях. Під час першого включення ваги автоматично налаштовані на зважування в кг/гр..

• Прилад зважує продукти з градацією у 2 грами. Рекомендується додавати інгредієнти для зважування невеликими кількостями чайними або столовими ложками.

5 Переконайтеся, що на екрані індикатора світиться позначка '0', якщо це не так, обнулюйте показники, натиснувши кнопку ON/ZERO (увімкнути/обнулювати показники). Потім зважте необхідні інгредієнти безпосередньо у чаші або келиху. Після того, як вага з'явиться на екрані, натисніть кнопку ON/ZERO (увімкнути/обнулювати показники) і на екрані знову спалахне позначка «0». Додайте наступні інгредієнти і показники ваги з'являться на екрані. Повторюйте процедуру, доки усі інгредієнти не будуть зважені.

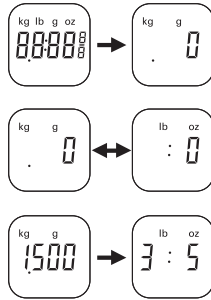
• Якщо обнуління не відбулося або ви вийняли інгредієнти чи зняли чашу/насадку/кришку, на дисплеї з'явиться позначка [ - - - ], що вказує на відсутність показників. **Щоб обнулювати, натисніть кнопку ON/ZERO (увімкнути/обнулювати показники) один раз.**

6 Закрийте кришку та оберіть швидкість роботи приладу.

• Під час роботи приладу на дисплеї буде світитися позначка [ - - - ], доки регулятор швидкості не буде переведено у положення «вимкнути».

• Після зупинки роботи приладу на дисплеї з'явиться останнє перед відключенням швидкості значення ваги. Примітка: До цього значення увійде вага кришки, якщо перед увімкненням приладу ви не обнулювали останні показники.

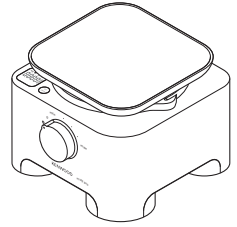
• Вага інгредієнтів, що були додані кризь напрямну трубку під час роботи приладу, не буде відобразитися на дисплеї.



## 13 Таця для зважування

Знімна таця для зважування призначена для зважування інгредієнтів без використання чаші чи міксера.

Установіть тацю на блок електродвигуна та поверніть за годинниковою стрілкою для фіксації. Після цього виконуйте інструкції, зазначені у пунктах 2-5 розділу «Як користуватися функцією зважування»



Щоби зняти тацю, поверніть її проти годинникової стрілки та підніміть.

### Автоматичне відключення

- Якщо показник ваги не змінюється протягом 5 хвилин, дисплей автоматично вимикається.
- Дисплей можна вимкнути вручну, натиснувши та утримуючи кнопку ON/ZERO (увімкнути/обнулювати показники) протягом декількох секунд.

### Увага!

- Не перевищуйте максимально припустиму вагу, яка дорівнює 3 кг.
- Будьте обережні з блоком електродвигуна, щоби не пошкодити датчик ваги.
- Перед початком зважування, установіть комбайн на суху рівну поверхню.
- Не переміщайте блок електродвигуна під час зважування.

## Як користуватися міксером

1 установіть ущільнювальне кільце 17 до ножового блоку 18 так, щоб воно правильно стало на своєму місці. **Якщо ущільнювач пошкоджений або його було встановлено неправильно, це може спричинити протікання.**

2 Прикріпіть чашу (келих) до ножового блоку.

3 Покладіть інгредієнти до чаші.

4 Установіть кришку на чашу та натисніть, щоби зафіксувати на місці 4. Установіть ковпачок заливального отвору.

5 Установіть міксер на блок електродвигуна та поверніть, щоби зафіксувати його на місці 5.

6 Оберіть потрібну швидкість (дивись таблицю рекомендованих швидкостей) або скористайтеся імпульсним режимом.

### Увага!

- **РИЗИК ОПІКІВ:** Гарячі інгредієнти мають вистигнути до кімнатної температури перед змішуванням.
- Щоб продовжити термін дії міксера, час його безперервної роботи не повинен перевищувати 60 секунд.
- Не рекомендується переробляти спеції, адже це може пошкодити пластикові деталі.
- Якщо міксер було встановлено неправильно, прилад не працюватиме.
- Щоб змішати сухі інгредієнти, поріжте їх на шматочки, витягніть ковпачок заливального отвору, а потім увімкніть прилад та послідовно додавайте по одному шматочку до чаші. Руку тримайте над отвором. Для отримання найкращого результату, регулярно випорожняйте чашу.
- Не використовуйте міксер як ємність для зберігання. Він має залишатися порожнім до та після використання.



- Ніколи не перемішуйте більш, ніж 1.5 літрів рідини; під час змішування холодних сумішей, наприклад, молочних коктейлів, рідини повинно бути ще менше.

#### Корисні поради

- Під час приготування майонезу, покладіть усі інгредієнти до міксеру, за винятком олії. Витягніть ковпачок заливального отвору. Потім увімкніть прилад та повільно додайте олію крізь отвір у кришці.
- Під час приготування густих сумішей, наприклад, паштетів або соусів, може трапитись налипання продукту на стінки чаші. У такому випадку потрібно її очистити. Якщо інгредієнти погано змішуються, додайте рідини.
- Подрібнення льоду – вмикайте та вимикайте імпульсний режим на короткий час, доки не отримаєте бажану консистенцію

## Як користуватися міні-подрібнювачем/подрібнювачем (при наявності)

Використовуйте міні-подрібнювач/подрібнювач для помелу трав, горіхів і кавових зерен.

- 1 Покладіть інгредієнти до чаші. Чаша повинна бути наполовину заповненою.
- 2 Встановіть ущільнювальне кільце ⑰ на ножовий блок ⑱.
- 3 Переверніть ножовий блок догори дном. Опустіть його до чаші, лезами вниз.
- 4 Прикрутіть ножовий блок до чаші.
- 5 Установіть міні-подрібнювач/подрібнювач на блок електродвигуна та поверніть до позначки ⑤ для фіксації.
- 6 Оберіть максимальну швидкість або скористайтесь імпульсним режимом.

#### Заходи безпеки

- Не встановлюйте ножовий блок на прилад без чаші.
- Не відкручуйте келих, якщо міні-подрібнювач/подрібнювач встановлено на блок електродвигуна.
- Не торкайтеся гострих лез. Зберігайте ножовий блок в недоступному для дітей місці.
- Не знімайте міні-подрібнювач/подрібнювач, доки ножовий блок не зупиниться повністю.

#### Увага!

- Щоби подовжити термін експлуатації міні-подрібнювача/подрібнювача, час його безперервної роботи не повинен перевищувати 30 секунд. Вимикайте прилад, як тільки ви отримаєте бажану консистенцію.
- Не використовуйте подрібнювач для обробки спецій, вони можуть пошкодити пластикові деталі.
- Якщо міні-подрібнювач/подрібнювач було встановлено неправильно, прилад не працюватиме.
- Використовуйте виключно сухі інгредієнти.

#### Корисні поради

- Для отримання кращого результату помийте та просушіть трави перед помелом.

## Використання насадок

### ⑳ Ніж/㉑ насадка для вимішування тіста

Найбільш універсальною насадкою є ніж. Консистенція, яку ви отримаєте, залежить від часу обробки. Щоби переробити більш густі інгредієнти, використовуйте імпульсний режим. Ніж використовується для приготування кондитерських виробів зі здобного тіста, подрібнення сирого та готового м'яса, овочів, горіхів, для приготування паштетів, соусів, пюре, супів, а також тертих сухарів із печива та хліба. Також його можна використовувати для вимішування дріжджового тіста, якщо насадка для вимішування тіста не входить до комплекту приладу.

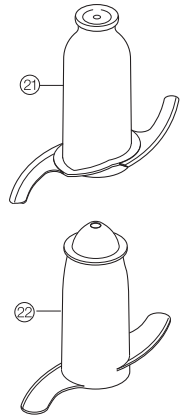
Насадка для вимішування тіста використовується для приготування дріжджових сумішей.

#### Корисні поради Ніж

- Перед обробкою таких продуктів, як м'ясо, хліб, овочі, поріжте їх на кубики, приблизно, 2 см (3/4 дюйми).
- Сухе печиво розламайте на шматочки і додайте крізь напрямну трубку під час роботи приладу.
- Під час приготування тіста для печива, використовуйте холодне масло (жир). Поріжте його кубиками по 2см (3/4 дюйми).
- Слідкуйте, щоби прилад не перевантажувався.

#### Насадка для вимішування тіста

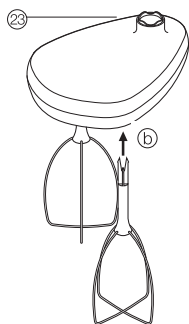
- Покладіть сухі інгредієнти до чаші і додавайте рідину крізь напрямну трубку під час роботи приладу. Продовжуйте процес обробки (приблизно 60 – 90 секунд), доки ви не отримаєте гладке, пружке тісто.
- Повторне замішування здійснюється тільки руками. Не рекомендується виконувати повторне замішування у чаші, адже це може спричинити нестабільну роботу приладу.



## 23 подвійний редукторний віничок для збивання

Призначений тільки для негустих сумішей, наприклад, яєчних білків, вершків, згущеного молока, для збивання яєць і цукру для знежирених бісквітів.

Важчі суміші такі, як жир і борошно, можуть пошкодити прилад.



## Використання віничка

- 1 Установіть привідний вал і чашу на блок електродвигуна.
- 2 Установіть кожний віничок на головку привідного валу та зафіксуйте (b).
- 3 Установіть збивалку, обережно повертаючи її, доки вона не опуститься на привідний вал.
- 4 Додайте інгредієнти.
- 5 Установіть кришку так, щоби верхня частина привідного валу опинилась у центрі кришки.
- 6 Увімкніть прилад.

### Увага!

- Не використовуйте віничок для приготування тіста для пирогів із однократним вимішуванням чи для збивання жиру із цукром, оскільки це може пошкодити насадку. Використовуйте ніж для замішування тіста.

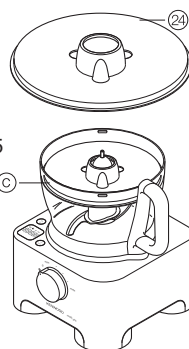
### Корисні поради

- Для отримання найкращого результату використовуйте яйця, що зберігалися за кімнатної температури.
- Перед збиванням переконайтеся, що чаша і віничок чисті й не мають залишків жиру.

## 24 для перемішування на максимальній швидкості

Для вимішування рідин, використовуйте насадку для перемішування на максимальній швидкості разом із ножовим блоком. Це дозволяє збільшувати об'єм рідини, що обробляється, від 1л до 1,5 л, запобігає протіканню та покращує роботу ножового блоку.

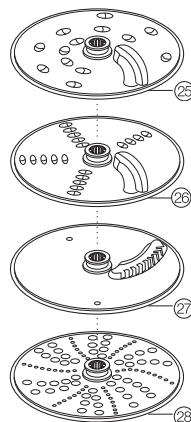
- 1 Установіть привідний вал і чашу на блок електродвигуна.
- 2 Установіть ножовий блок.
- 3 Додайте інгредієнти для обробки.
- 4 Установіть насадку для перемішування на максимальній швидкості зверху леза. Переконайтеся, що насадку зафіксовано всередині чаші (c). **Не натискайте на насадку, тримайте її за держак, розташований у центрі.**
- 5 Закрийте кришку та увімкніть прилад.



## Диск для нарізання/шаткування

### Двобічні диски для нарізання/шаткування - крупне нарізання (25), тонке нарізання (26)

Використовуйте різальний бік диску для обробки сиру, моркви, картоплі та продуктів із схожою структурою. Використовуйте шаткувальний бік диску для обробки сиру, моркви, картоплі, капусти, огірків, кабачків, буряків і цибулі.



### диск для тонкого нарізання (використовується для нарізання соломкою) (27) (при наявності)

Використовуйте для нарізання: картоплі для жюльєну, картоплі соломкою, твердих інгредієнтів для салатів, гарнірів, запіканок та страв швидкого приготування (на кшталт моркви, кабачків, брукви та огірків).

### Диск-тертка (28) (при наявності)

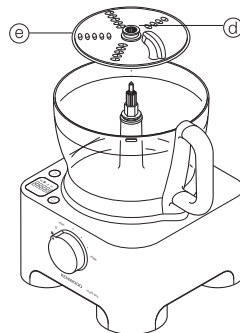
Для натирання сиру «Пармезан» і картоплі для приготування картопляних галушок по-німецьки (дерунів).

## Заходи безпеки

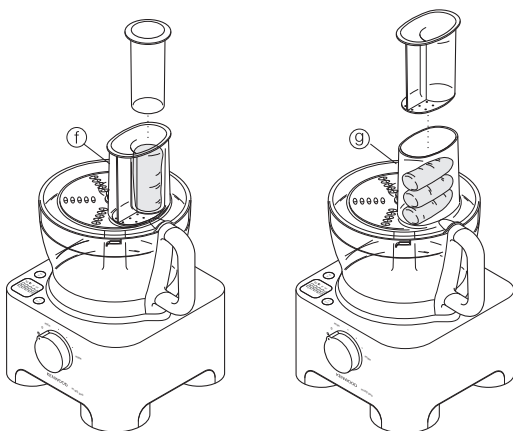
- Не знімайте кришку, доки різальний диск не зупиниться повністю.
- Різальні диски дуже гострі, тому будьте обережні.

## Як користуватися дисками.

- 1 Установіть привідний вал і чашу на блок електродвигуна.
- 2 Тримавши держак в центрі (d), установіть диск на привідний вал потрібною стороною догори (e).
- 3 Установіть кришку.



- 4 Оберіть напрямну трубку потрібного розміру. Штовхач містить напрямну трубку невеликого розміру для обробки окремих продуктів або тонких інгредієнтів. Щоби скористатися напрямною трубкою невеликого розміру, спочатку установіть великий штовхач всередину напрямної трубки. Щоби скористатися напрямною трубкою великого розміру, використовуйте обидва штовхачі разом.
- 5 Покладіть інгредієнти до напрямної трубки.
- 6 Увімкніть прилад та повільно проштовхуйте інгредієнти за допомогою штовхача - **ніколи не опускайте пальці до напрямної трубки.**



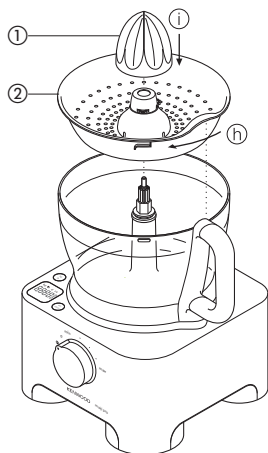
### Корисні поради

- Використовуйте свіжі продукти
- Не кришіть продукти. Заповняйте напрямну трубку великого розміру рівномірно по всій ширині. Це допоможе уникнути зміщення продуктів убік під час обробки. Або використовуйте напрямну трубку невеликого розміру.
- Якщо ви використовуєте диск для тонкого нарізання, рекомендується класти інгредієнти у горизонтальному положенні.
- Під час нарізання або шаткування: інгредієнти, що додаються (f) у вертикальному положенні, нарізаються на коротші шматочки, ніж ті, що додаються у горизонтальному положенні (g).
- на таці чи диску завжди залишається невелика кількість продуктів після закінчення обробки.

### 29 соковижималка для цитрусових (при наявності)

Призначений для вижимання соку із цитрусових (наприклад, із апельсинів, лимонів, лайму і грейпфрутів).

- ① конус
- ② сито



### Як користуватися соковижималкою для цитрусових

- 1 Установіть привідний вал і чашу на блок електродвигуна.
  - 2 Установіть сито на чашу так, щоби держак сита знаходився прямо над держак чаші (h).
  - 3 Установіть конус над привідним валом, повертаючи його, доки він не опуститься до кінця вниз (i).
  - 4 Наріжте фрукти навпіл. Потім увімкніть прилад і натисніть розрізану половинкою фрукта на конус.
- Якщо сито було встановлено неправильно, соковижималка не працюватиме.

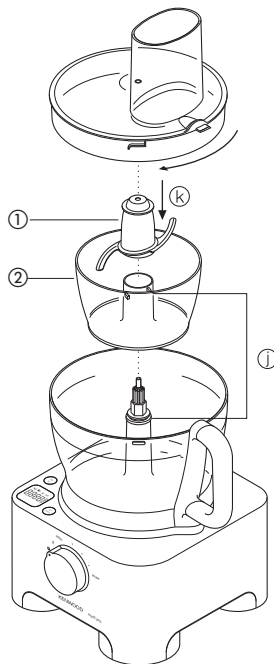
### 30 міні-чаша (при наявності)

Використовуйте міні-чашу для подрібнення трав та обробки невеликої кількості інгредієнтів на кшталт, м'яса, цибулі, горіхів, вимішування майонезу, овочів, приготування пюре, соусів та страв дитячого харчування.

- ① міні-ножовий блок
- ② міні-чаша

### Як користуватися міні-чашою

- 1 Установіть привідний вал і чашу на блок електродвигуна.
- 2 Установіть міні-чашу так, щоби ребра, розташовані на внутрішньому боці трубки, співпали із пазами основної трубки (j).
- 3 Установіть ножовий блок на привідний вал (k).
- 4 Додайте інгредієнти, які мають бути оброблені.
- 5 Закрийте кришку та увімкніть прилад.



### Заходи безпеки

- Не знімайте кришку, доки ножовий блок не зупиниться повністю.
- Будьте обережні, оскільки леза дуже гострі.

### Увага!

- Не використовуйте для обробки спецій, вони можуть пошкодити пластикові деталі.
- Не використовуйте для обробки твердої їжі, на кшталт, кавових зерен, кубиків льоду або шоколад, оскільки такі інгредієнти можуть пошкодити ніж.

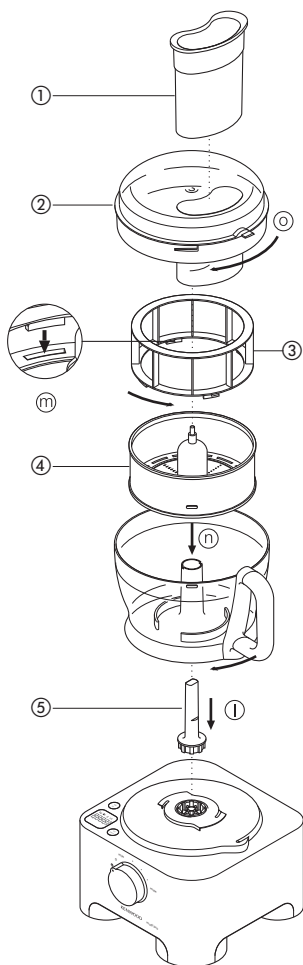
### Корисні поради

- Для отримання кращого результату помийте та просушіть трави перед помелом.
- Під час вимішування варених продуктів для приготування страв дитячого харчування, завжди додавайте трошки рідини.
- Перед обробкою таких продуктів, як м'ясо, хліб, овочі, поріжте їх на кубики, приблизно, 1-2 см (12 – 34 дюймів).
- Під час приготування майонезу, додавайте олію крізь напрямну трубку.

### 31 металева соковижималка із центрифугою (при наявності) (обирайте максимальну швидкість)

Використовуйте соковижималку із центрифугою для приготування соків із твердих фруктів та овочів.

- 1 штовхач
- 2 кришка
- 3 пристрій для видалення м'якоті
- 4 барабан фільтра
- 5 привідний вал



### Як користуватися соковижималкою з центрифугою

- 1 Установіть привідний вал і чашу на блок електродвигуна 1.
- 2 Установіть пристрій для видалення м'якоті до барабану фільтра. Переконайтеся, що скоби увійшли до гнізда, розташованого у нижній частині барабану m.
- 3 Установіть барабан фільтра n. **Якщо кришку не заблоковано, соковижималка не працюватиме.**
- 4 Установіть кришку на чашу та поверніть її так, щоби вона замкнулася і напрямні трубка сіла на держак o.
- 5 Поріжте продукти на невеличкі шматочки, щоби вони могли проходити крізь напрямну трубку.
- 6 Увімкніть прилад і рівномірно натискайте на штовхач – **не опускайте пальці до напрямної трубки.** Перед додаванням нової порції інгредієнтів, спочатку повністю обробіть попередню.
- Після додавання останнього шматочка соковижималка повинна працювати протягом ще 20 секунд, щоби залишки соку вийшли із барабану фільтра.

### Заходи безпеки

- **Не використовуйте соковижималку, якщо фільтр було пошкоджено.**
- Різальні ножі, розташовані в основі барабану, дуже гострі, тому під час роботи та чищення будьте обережні.
- Використовуйте штовхач, що входить до комплекту. Не опускайте пальці до напрямної трубки. Перед розблокуванням напрямної трубки, відключіть прилад від мережі.

- Перед зніманням кришки вимкніть прилад та дочекайтеся повної зупинки фільтру.

#### Увага!

- Якщо соковижималка почне вібрувати, вимкніть прилад та випорожніть м'якоть з барабану. (Соковижималка починає вібрувати, якщо м'якоть нерівномірно розподіляється).
- За один раз можна обробляти не більше 500 гр. фруктів чи овочів.
- Деякі дуже тверді продукти можуть уповільнити рух приладу або навіть припинити його роботу. Якщо це трапилось, вимкніть прилад та розблокуйте фільтр.
- Під час роботи регулярно вимикайте прилад та чистить ємність для м'якоті.

#### Корисні поради

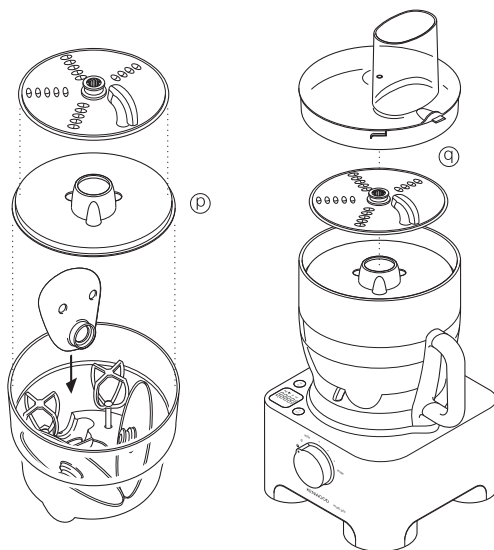
- Перед обробкою видаліть кісточки та зернята (на кшталт, перець, диня, слива) та тверду шкірку (на кшталт, диня, ананас). Не треба чистити та видаляти серцевину яблук та груш.
- Використовуйте тверді, свіжі фрукти та овочі.
- Цитрусовий сік буде гірким та пінним, оскільки м'якоть та кісточки також обробляються під час приготування. Використовуйте соковижималку для цитрусових.

### 32 обертова підставка для зберігання насадок KENSTORE™

До комплекту вашого кухонного комбайну входить обертова підставка для зберігання насадок. Вона поміщається всередині чаші.

### Як користуватися обертовою підставкою


- 1 Установіть ніж у чашу.
- 2 Потім установіть віничок, диски та насадку для перемішування на максимальній швидкості на підставку p.
- 3 Установіть підставку на ніж та зверху накрийте кришкою q.

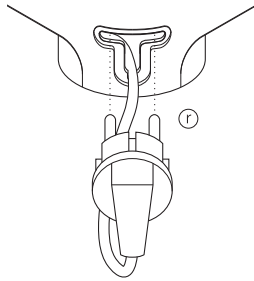


## ДОГЛЯД ТА ЧИЩЕННЯ

- Завжди вимикайте прилад та відключайте його від електромережі перед чищенням.
- **Леза та диски – дуже гострі, тому будьте уважні.**
- Деякі продукти можуть знебарвлювати пластикові деталі. Це вважається нормальним явищем, не призводить до пошкоджень пластикових деталей та не впливає на смак їжі. Щоб вивести знебарвлювану пляму, потріть її ганчіркою, змоченою у рослинній олії.

### блок електродвигуна

- Протріть блок спочатку вологою, а потім сухою ганчіркою. Слідкуйте за тим, щоб зона поряд з механізмом блокування не була засмічена залишками їжі.
- Зберігайте зайву частину шнура у відсіку для зберігання, який розташовано у задній частині блока електродвигуна .



### міксер та міні-подрібнювач/подрібнювач

- 1 Перед тим, як відкрутити чашу/склянку від ножового блока, випорожніть її.
- 2 Помийте чашу/склянку вручну.
- 3 Зніміть та помийте ущільнювальне кільце.
- 4 Не торкаючись гострих лез, промийте їх гарячою мильною водою, а потім ретельно сполосніть під краном. **Не опускайте ножовий блок у воду.**
- 5 Переверніть ножі догори дном та залиште просохати.

### подвійний редукторний вінчик для збивання

- Зніміть вінчики із головки привода, обережно потягнувши за них. Помийте їх у теплій мильній воді.
- Протріть головку привода спочатку вологою, а потім сухою ганчіркою. **Не опускайте головку привода у воду.**

### Інші деталі

- Промийте вручну, потім просушіть.
- Дозволяється мити інші деталі на верхній полиці посудомийної машини. Для цього оберіть коротку програму із низькою температурою.

## Обслуговування та ремонт

- Пошкоджений шнур живлення із метою безпеки підлягає заміні на підприємствах фірми KENWOOD або в авторизованому сервісному центрі KENWOOD.
- **Якщо в вас виникли труднощі з роботою комбайну, перш ніж дзвонити до сервісної служби прочитайте посібник з усунення несправностей.**

Якщо вам необхідна консультація з приводу:

- використання приладу або
  - обслуговування, придбання запасних деталей або ремонту,
  - зверніться до магазину, в якому ви придбали цей прилад.
- 
- Спроектовано та розроблено компанією Kenwood, Об'єднане Королівство.
  - Зроблено в Китаї.



### ВАЖЛИВА ІНФОРМАЦІЯ СТОСОВНО НАЛЕЖНОЇ УТИЛІЗАЦІЇ ПРОДУКТУ ЗГІДНО ІЗ ДИРЕКТИВОЮ ЕС 2002/96/ЕС.

Після закінчення терміну експлуатації не викидайте цей прилад з іншими побутовими відходами.

Віднесіть прилад до місцевого спеціального авторизованого центру збирання відходів або до дилера, який може надати такі послуги.

Відокремлена утилізація побутових приладів дозволяє уникнути можливих негативних наслідків для навколишнього середовища та здоров'я людини, які виникають у разі неправильної утилізації, а також надає можливість переробити матеріали, з яких було виготовлено даний прилад, що, в свою чергу, зберігає енергію та інші важливі ресурси. Про необхідність відокремленої утилізації побутових приладів нагадує спеціальна позначка на продукті у вигляді перекресленого смітника на колесах.

## Посібник із усунення несправностей

| Проблема   | Причина   | Рішення   |
|--|---|---|
| Комбайн не працює.   | <p>Не постачається живлення/ світловий індикатор не горить</p> <p>Чашу зафіксовано неправильно.</p> <p>Кришку зафіксовано неправильно</p> | <p>Переконайтеся, що комбайн було підключено до електромережі.</p> <p>Переконайтеся, що чашу було встановлено правильно й ручка чаші знаходиться праворуч.</p> <p>Переконайтеся, що фіксатор кришки знаходиться в області ручки.</p> <p><b>Прилад не працюватиме, якщо чаша та кришка були встановлені неправильно.</b></p> <p>Якщо жодна із вищезазначених перевірок не розкрила причину несправності, перевірте плавкі запобіжники чи автоматичний вимикач у вашому домі.</p> |
| Комбайн зупиняється під час роботи   | <p>Комбайн перевантажено/ завантаження вище допустимої норми</p> <p>Кришку не зафіксовано.</p>  | <p>Перевірте максимальні показники завантаження, зазначені у розділі «як користуватися кухонним комбайном»</p> <p>Переконайтеся, що кришку правильно зафіксовано.</p>   |
| Незадовільна робота інструментів/насадок   | Дивись поради у відповідному розділі «використання насадок». Переконайтеся, що насадки були встановлені правильно.                        |   |
| <p>Функція зважування</p> <p>На дисплеї світиться позначка [----]</p> <p>На дисплеї змінилися показники ваги</p> | <p>Кількість, що зважується, дуже мала.</p> <p>Під час зважування ви перемістили блок електродвигуна</p>                                  | <p>Для зважування невеликих об'ємів, використовуйте чайну та столову ложки.</p> <p>Не переміщуйте прилад під час роботи.</p> <p>Перед зважуванням наступних інгредієнтів, обнулите показники.</p>   |

|   |   |   |
|---|---|---|
| <p>                 1. 2019-2020 ዓ.ም. የግብርና ስራ ሪፖርት<br/>                 [---]<br/>                 2. 2019-2020 ዓ.ም. የግብርና ስራ ሪፖርት<br/>                 3. 2019-2020 ዓ.ም. የግብርና ስራ ሪፖርት             </p> | <p>                 1. የግብርና ስራ ሪፖርት<br/>                 2. የግብርና ስራ ሪፖርት<br/>                 3. የግብርና ስራ ሪፖርት             </p> | <p>                 1. የግብርና ስራ ሪፖርት<br/>                 2. የግብርና ስራ ሪፖርት<br/>                 3. የግብርና ስራ ሪፖርት             </p> |
| <p>የግብርና ስራ ሪፖርት</p>  | <p>የግብርና ስራ ሪፖርት</p>  | <p>የግብርና ስራ ሪፖርት</p>  |
| <p>የግብርና ስራ ሪፖርት</p>  | <p>የግብርና ስራ ሪፖርት</p>  | <p>የግብርና ስራ ሪፖርት</p>  |
| <p>የግብርና ስራ ሪፖርት</p>  | <p>የግብርና ስራ ሪፖርት</p>  | <p>የግብርና ስራ ሪፖርት</p>  |
| <p>የግብርና ስራ ሪፖርት</p>  | <p>የግብርና ስራ ሪፖርት</p>  | <p>የግብርና ስራ ሪፖርት</p>  |

የግብርና ስራ ሪፖርት





































Head Office Address: Kenwood Limited, New Lane, Havant, Hampshire PO9 2NH, UK

[www.kenwoodworld.com](http://www.kenwoodworld.com)

Designed and engineered by Kenwood in the UK

Made in China