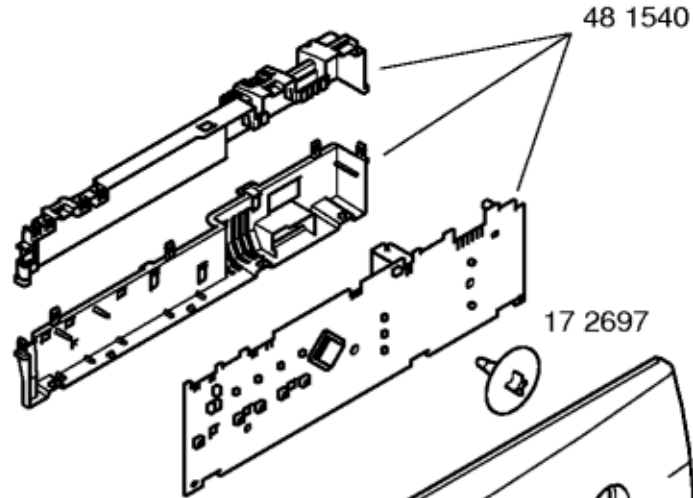
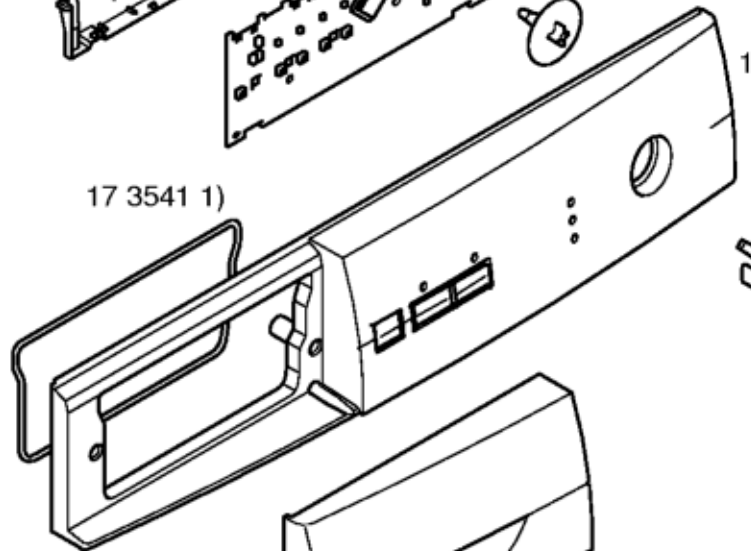
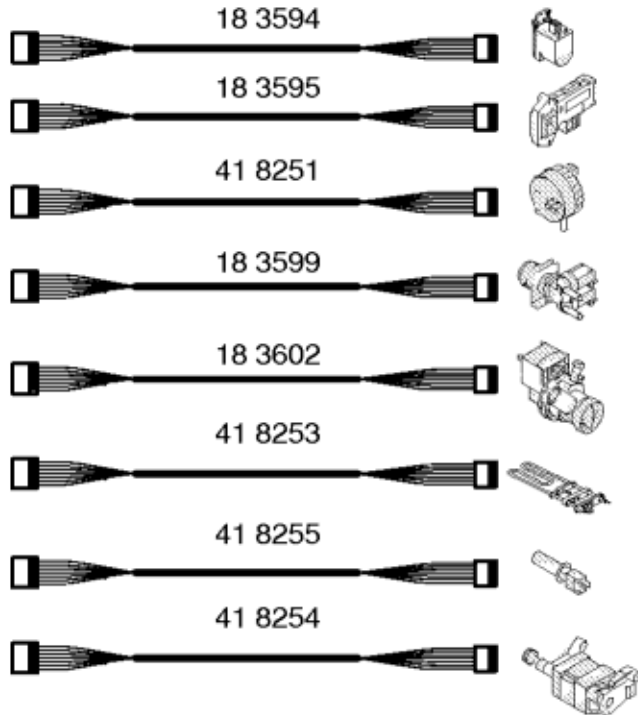


17 1254



17 2697

17 3541 1)



17 2699 1)

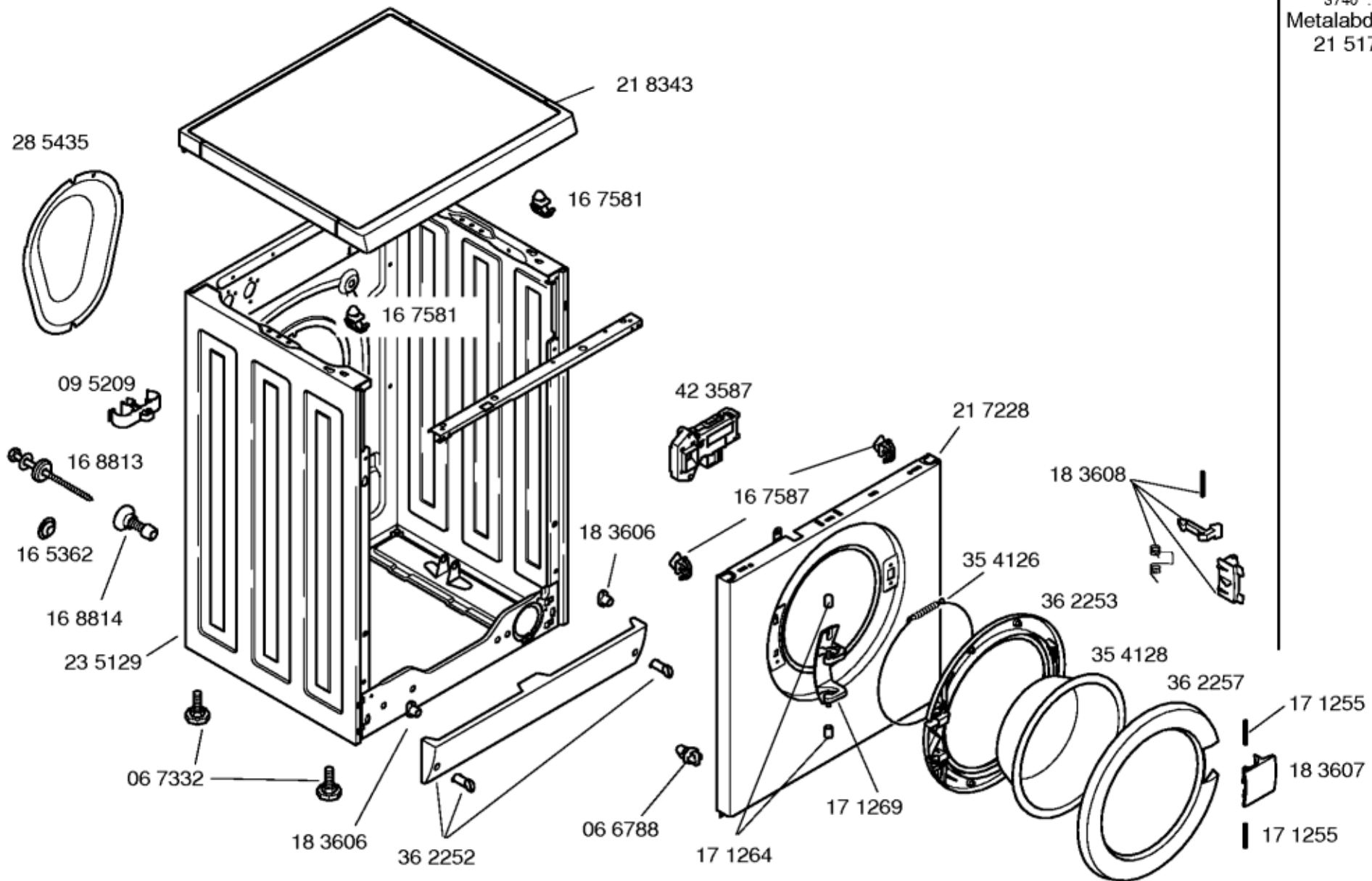
Ident – Nummern – Konstante  
3740 . . . . .

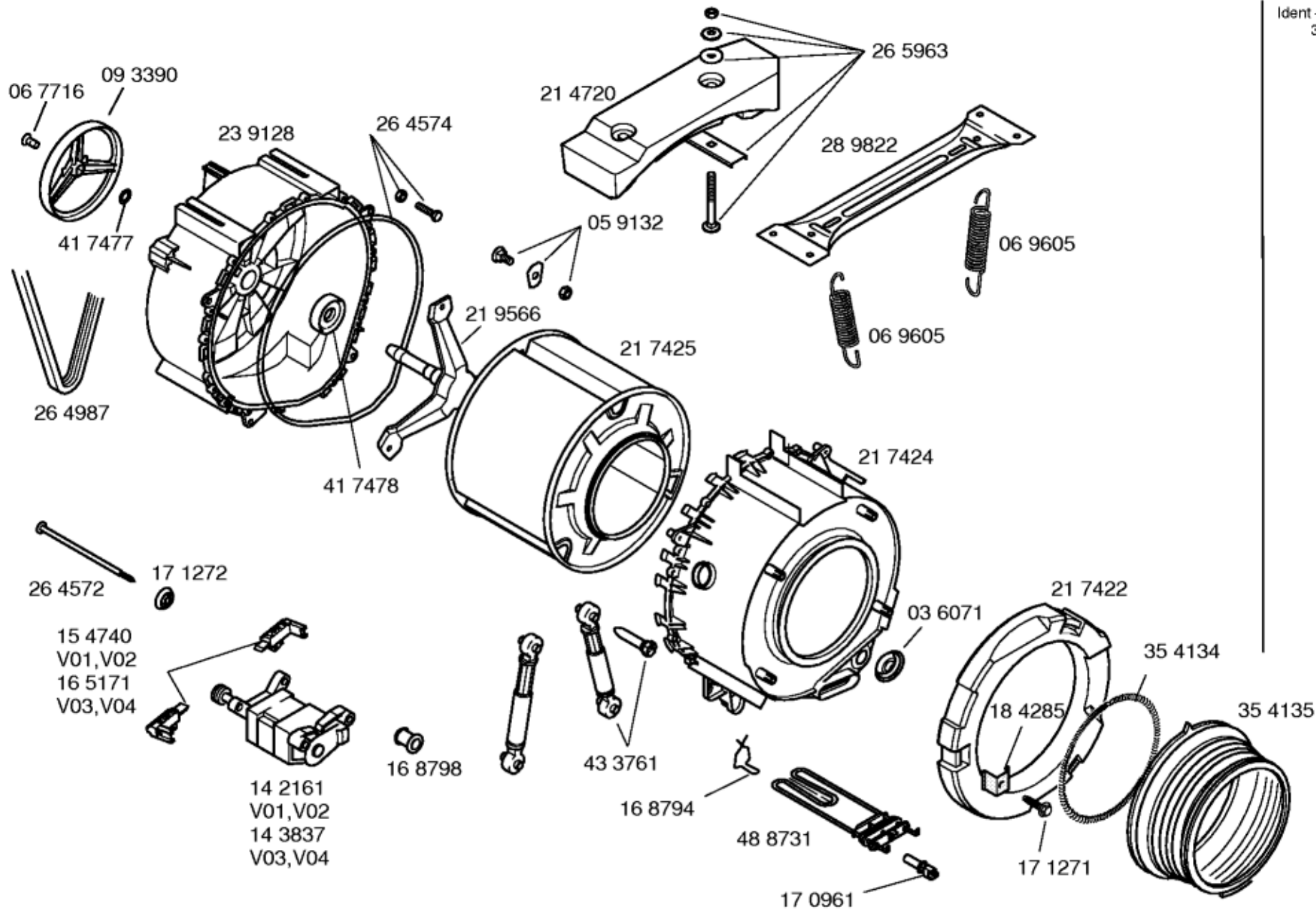
Gebrauchsanweisung  
58 7068  
en

Programmtabelle  
42 1090  
en

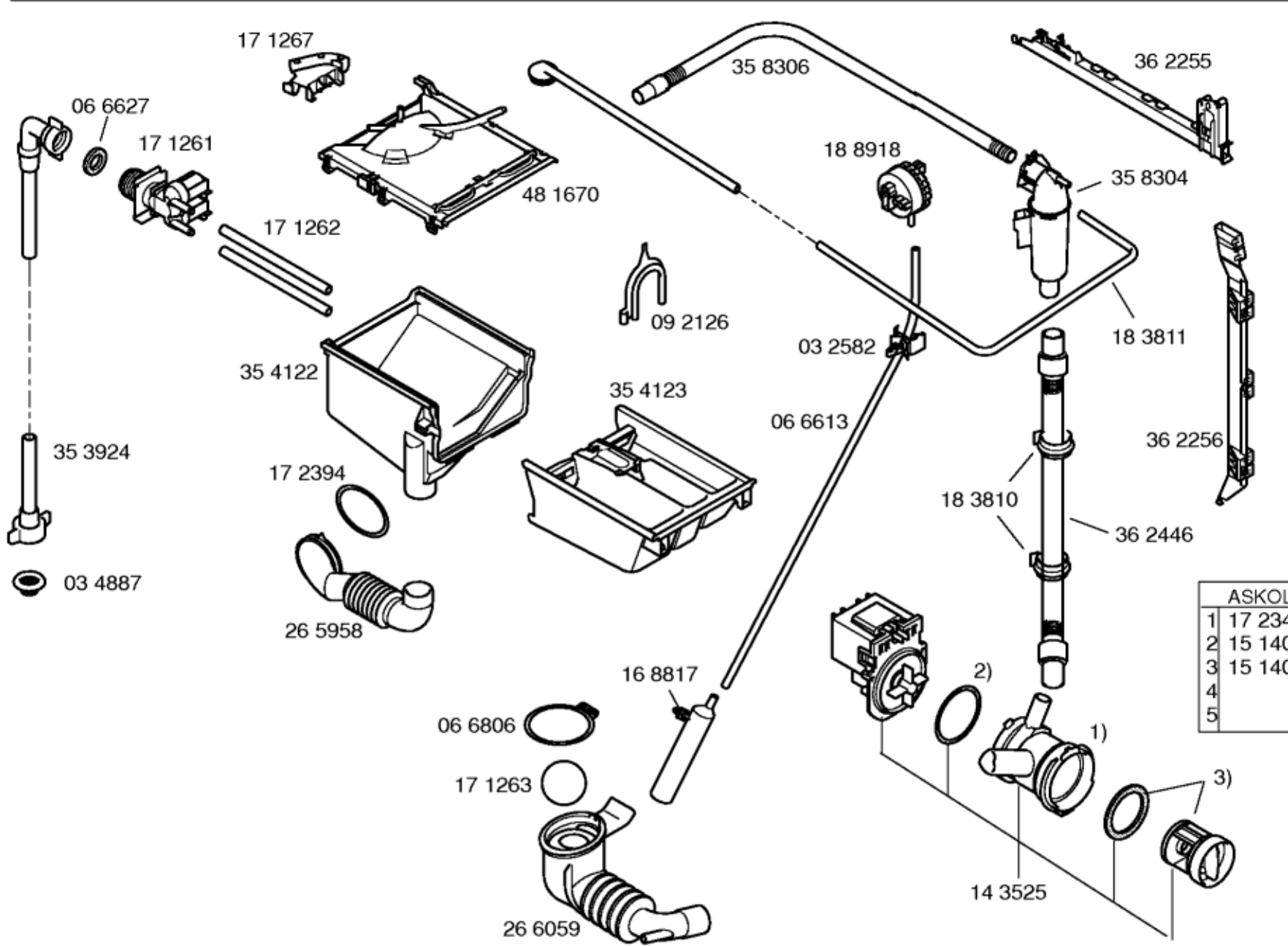
1) 43 5232 – V01,V03  
43 5231 – V02,V04

Ident – Nummern – Konstante  
3740 . . . . .  
Metalabdeckung–VDE  
21 5174





Ident – Nummern – Konstante  
3740 . . . . .



Ident – Nummern – Konstante  
3740 . . . . .

	ASKOLL	COPRECI
1	17 2340	17 2337
2	15 1408	15 4358
3	15 1409	172339
4		
5		

<b>Position ID</b>	<b>Spare part no.</b>	<b>Replacement</b>	<b>Description</b>
0100	00587068		Instruction manual
0101	00421090		Program table
0102	00266722	00481580	Power cord
0104	00171254	00623842	Capacitor-interference suppre.
0106	00183594		Cable harness
0107	00183595		Cable harness
0108	00418251		Cable harness
0109	00183599		Cable harness
0110	00183602		Cable harness
0111	00418253		Cable harness
0112	00418255		Cable harness
0113	00183605		Cable harness
0114	00481540	00493685	PC board
0116	00173541	00188590	Sealing
0122	00172697		Coupling
0124	00172699		Knob-programme
0126	00267678		Tray handle-dispenser
0130	00435231		Panel-facia
0200	00168813		Transit bolt
0202	00168814	00600388	Distance holder
0204	00165362		Cover
0206	00095209		Holder
0208	00285435		Case-rear part
0210	00235129		Housing
0212	00067332	00621463	Foot
0214	00218343		Worktop
0216	00167581		Holder

0220	00362252		Panel-base
0224	00423587	00603514	Electric lock
0226	00183606	00606923	Holder
0227	00167587	00067083	Holder
0228	00066788		Holder
0230	00217228		Front panel
0232	00171264		Bushing
0234	00171269		Hinge-window
0236	00354126	00439671	fastening ring
0238	00362253		Frame-window
0240	00354128	11020392	Window
0242	00362257	00665992	Frame-decor
0244	00183607		Handle
0246	00171255		Axis
0250	00183608		Latch
0260	00215174	00472560	Built-under kit
0300	00067716		Screw
0302	00093390		Pulley
0304	00417477		Washer
0306	00239128	00475046	Tub
0307	00417478		Shaft seal
0308	00265964		Sealing
0310	00059132		Screw-set
0312	00219566		Drum cross
0314	00217425		Drum
0316	00217424		Tub
0318	00036071		Sealing
0322	00168794		Fixture
0324	00488731		Heating element

0325	00170961		Sensor-NTC
0326	00184285		Holder
0328	00171271		Screw
0330	00217422		Weight
0332	00354134		fastening ring
0334	00354135		Boot gasket
0338	00265963		Fixing kit
0340	00214720		Weight
0342	00289822		Support
0344	00069605		Spring
0348	00481932	00448032	Shock absorber
0350	00143837	00144003	Motor
0351	00165171		Carbon-brush
0354	00168798		Holder
0356	00171272		Fixture
0358	00264572		Screw
0360	00264987		Belt-drive
0400	00353924	00700836	Hose-inlet
0402	00034887	00027780	Filter-water inlet
0404	00066627		Sealing
0406	00171261	00428210	Valve-magnet
0408	00171262		Hose-valve/soap box
0409	00171267		Holder
0410	00481670		Dispenser tray-upper part
0412	00354122		Dispenser tray-lower part
0414	00354123		Dispenser tray
0416	00265958		Hose-fill
0417	00172394	00421488	fastening ring
0418	00266059		Eco-hose-sump

0420	00171263		Ball-sump
0422	00172395	00603523	fastening ring
0424	00168817	00424981	Pressure chamber
0426	00066613		Hose-pressure chamber
0427	00032582		Holder
0428	00183611		Regulator-water level
0430	00362255		Duct
0431	00362256		Duct
0432	00183810		Holder
0433	00362446		Outlet hose
0434	00358304		Container return
0435	00183811		Tube
0436	00358306		Outlet hose
0438	00092126		Holder
0440	00143525		Pump-drain
0442	00154358		Sealing
0442	00151408		Sealing
0444	00172337		Pump-housing
0444	00172340	00145787	Pump-drain
0446	00172339		Filter-fluff
0446	00151409		Filter-fluff